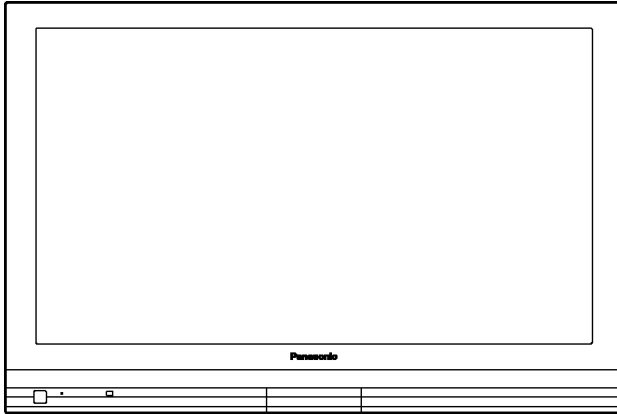


Service Manual

Plasma Television



TH-42PV70L

GPH10DA Chassis

Specifications

Power Source	AC 110-220 V, 50 / 60 Hz
Power Consumption	
Average use	348 W
Standby condition	0.7 W
Display panel	
Aspect Ratio	16 : 9
Visible screen size	106 cm (diagonal) 922 mm (W) x 518 mm (H)
Number of pixels	786,432 (1,024 (W) x 768 (H)) [3,072 x 768 dots]
Sound	
Speaker	120 mm x 60 mm x 2 pcs, 8 ohm
Audio Output	20 W [10 W + 10 W] (10 % THD)
Headphones	M3 (3.5 mm) stereo mini Jack x 1
PC signals	VGA, SVGA, XGA SXGA (compressed) Horizontal scanning frequency 31 - 69 kHz Vertical scanning frequency 59 - 86 Hz

Receiving Systems/Band name

1 PAL-M	Reception of broadcast transmissions and Playback from VCR or DVD
2 PAL-N	
3 NTS-C	

Receiving Channels

(Regular TV)

VHF BAND

2-13 (NTSC M USA)

UHF BAND

14-69 (NTSC M USA)

CATV

1-125 (USA CATV)

Panasonic®

© 2007 Matsushita Electric Industrial Co., Ltd. All rights reserved. Unauthorized copying and distribution is a violation of law.

Aerial - Rear	VHF / UHF	
Operating Conditions	Temperature: 0 °C - 40 °C	
	Humidity: 20 % - 80 % RH (non-condensing)	
Connection Terminals		
AV1 Input		
AUDIO L - R	RCA PIN Type x 2	0.5 V[rms]
VIDEO	RCA PIN Type x 1	1.0 V[p-p] (75 ohm)
S VIDEO	Mini DIN 4-pin	Y:1.0 V[p-p] (75 ohm) C:0.286 V[p-p] (75 ohm)
AV2 Input		
AUDIO L - R	RCA PIN Type x 2	0.5 V[rms]
VIDEO	RCA PIN Type x 1	1.0 V[p-p] (75 ohm)
COMPONENT	Y P _B /C _B , P _R /C _R	1.0 V [p-p] (including synchronization) ± 0.35 V [p-p]
AV3 Input		
AUDIO L - R	RCA PIN Type x 2	0.5 V[rms]
VIDEO	RCA PIN Type x 1	1.0 V[p-p] (75 ohm)
COMPONENT	Y P _B /C _B , P _R /C _R	1.0 V [p-p] (including synchronization) ± 0.35 V [p-p]
AV4 Input		
AUDIO L - R	RCA PIN Type x 2	0.5 V[rms]
VIDEO	RCA PIN Type x 1	1.0 V[p-p] (75 ohm)
S VIDEO	Mini DIN 4-pin	Y:1.0 V[p-p] (75 ohm) C:0.286 V[p-p] (75 ohm)
Others		
HDMI1 / 2 Input	TYPE A Connectors	• This TV supports "HDAVI Control 2" function.
PC Input	HIGH-DENSITY D-SUB 15PIN	R,G,B/0.7 V [p-p] (75 ohm) HD, VD/TTL Level 2.0 - 5.0 V [p-p] (high impedance)
Audio Input	RCA PIN Type x 2	0.5 V[rms]
Card slot	SD CARD slot x 1	
Monitor Output		
AUDIO L-R	RCA PIN Type x 2	0.5 V [rms] (high impedance)
VIDEO	RCA PIN Type x 1	1.0 V [p-p] (75 ohm)
Dimensions (W x H x D)	1,020 mm x 750 mm x 320 mm (With Pedestal)	
	1,020 mm x 705 mm x 94 mm (TV only)	
Mass	30.0 k Net (With Pedestal)	
	28.0 k Net (TV only)	

Note:

- Design and Specifications are subject to change without notice. Weight and Dimensions shown are approximate.

 **WARNING**

This service information is designed for experienced repair technicians only and is not designed for use by the general public. It does not contain warnings or cautions to advise non-technical individuals of potential dangers in attempting to service a product. Products powered by electricity should be serviced or repaired only by experienced professional technicians. Any attempt to service or repair the product or products dealt with in this service information by anyone else could result in serious injury or death.

CONTENTS

	Page		Page
1 Applicable signals	5	6 Plasma panel replacement method	10
2 Safety Precautions	6	6.1. Remove the rear cover	10
2.1. General Guidelines	6	6.2. Remove the rear terminal cover	10
2.2. Touch-Current Check	6	6.3. Remove the P-Board	10
3 Prevention of Electrostatic Discharge (ESD) to		6.4. Remove the PA-Board	10
Electrostatically Sensitive (ES) Devices	7	6.5. Remove the Tuner unit	10
4 About lead free solder (PbF)	8	6.6. Remove the DG-Board	11
5 Service Hint	9	6.7. Remove the H-Board	11

6.8. Remove the D-Board	11	14.13. G-Board	56
6.9. Remove the SU-Board	11	15 Schematic and Block Diagram	57
6.10. Remove the SD-Board	12	15.1. Schematic Diagram Note	57
6.11. Remove the SC-Board	12	15.2. Main Block Diagram	58
6.12. Remove the SS-Board	12	15.3. P-Board Block Diagram	59
6.13. Remove the stand brackets	12	15.4. P-Board (1 of 6) Schematic Diagram	60
6.14. Remove the C1-Board	13	15.5. P-Board (2 of 6) Schematic Diagram	61
6.15. Remove the C2-Board	13	15.6. P-Board (3 of 6) Schematic Diagram	62
6.16. Remove the front bracket	13	15.7. P-Board (4 of 6) Schematic Diagram	63
6.17. Remove the G-Board and GS-Board	13	15.8. P-Board (5 of 6) Schematic Diagram	64
6.18. Remove the speaker L, R	13	15.9. P-Board (6 of 6) Schematic Diagram	65
6.19. Remove the S-Board	14	15.10. PA-Board Block Diagram	66
6.20. Remove the K-Board	14	15.11. PA-Board Schematic Diagram	67
6.21. Remove the Plasma panel section from the Cabinet assy (glass)	14	15.12. H-Board (1 of 2) Block Diagram	68
6.22. Replace the plasma panel (finished)	15	15.13. H-Board (2 of 2) Block Diagram	69
7 Caution statement	16	15.14. H-Board (1 of 5) Schematic Diagram	70
7.1. Caution statement.	16	15.15. H-Board (2 of 5) Schematic Diagram	71
8 Location of Lead Wiring	17	15.16. H-Board (3 of 5) Schematic Diagram	72
8.1. Lead of Wiring (1)	17	15.17. H-Board (4 of 5) Schematic Diagram	73
8.2. Lead of Wiring (2)	18	15.18. H-Board (5 of 5) Schematic Diagram	74
9 Self-check Function	19	15.19. DG-Board (1 of 3) Block Diagram	75
9.1. Check of the IIC bus lines	19	15.20. DG-Board (2 of 3) Block Diagram	76
9.2. Power LED Blinking timing chart	20	15.21. DG-Board (3 of 3) Block Diagram	77
9.3. No Power	21	15.22. DG-Board (1 of 9) Schematic Diagram	78
9.4. No Picture	22	15.23. DG-Board (2 of 9) Schematic Diagram	79
9.5. Local screen failure	23	15.24. DG-Board (3 of 9) Schematic Diagram	80
10 Service Mode	24	15.25. DG-Board (4 of 9) Schematic Diagram	81
10.1. How to enter into Service Mode	24	15.26. DG-Board (5 of 9) Schematic Diagram	82
10.2. Service tool mode	26	15.27. DG-Board (6 of 9) Schematic Diagram	83
11 Adjustment Procedure	27	15.28. DG-Board (7 of 9) Schematic Diagram	84
11.1. Driver Set-up	27	15.29. DG-Board (8 of 9) Schematic Diagram	85
11.2. Initialization Pulse Adjust	28	15.30. DG-Board (9 of 9) Schematic Diagram	86
11.3. P.C.B. (Printed Circuit Board) exchange	28	15.31. D-Board Block Diagram	87
11.4. Adjustment Volume Location	29	15.32. D-Board (1 of 6) Schematic Diagram	88
11.5. Test Point Location	29	15.33. D-Board (2 of 6) Schematic Diagram	89
12 Adjustment	30	15.34. D-Board (3 of 6) Schematic Diagram	90
12.1. Sub-Contrast adjustment	30	15.35. D-Board (4 of 6) Schematic Diagram	91
12.2. PAL panel white balance adjustment	31	15.36. D-Board (5 of 6) Schematic Diagram	92
12.3. HD white balance adjustment	32	15.37. D-Board (6 of 6) Schematic Diagram	93
13 Hotel mode	33	15.38. C1 and C2-Board Block Diagram	94
14 Conductor Views	35	15.39. C1-Board (1 of 2) Schematic Diagram	95
14.1. P-Board	35	15.40. C1-Board (2 of 2) Schematic Diagram	96
14.2. PA-Board	38	15.41. C2-Board (1 of 2) Schematic Diagram	97
14.3. H-Board	39	15.42. C2-Board (2 of 2) Schematic Diagram	98
14.4. DG-Board	41	15.43. SC-Board Block Diagram	99
14.5. D-Board	44	15.44. SC-Board (1 of 2) Schematic Diagram	100
14.6. C1-Board	46	15.45. SC-Board (2 of 2) Schematic Diagram	101
14.7. C2-Board	47	15.46. SU and SD-Board Block Diagram	102
14.8. SC-Board	48	15.47. SU-Board (1 of 2) Schematic Diagram	103
14.9. SU-Board	51	15.48. SU-Board (2 of 2) Schematic Diagram	104
14.10. SD-Board	52	15.49. SD-Board (1 of 2) Schematic Diagram	105
14.11. SS-Board	53	15.50. SD-Board (2 of 2) Schematic Diagram	106
14.12. GS, K, and S-Board	55	15.51. SS-Board Block Diagram	107
		15.52. S and SS-Board (1 of 2) Schematic Diagram	108

15.53. SS-Board (2 of 2) Schematic Diagram	109	16.3. Packing Exploded Views (2)	115
15.54. G and K-Board Schematic Diagram	110	16.4. Packing Exploded Views (3)	116
15.55. GS-Board Block and Schematic Diagram	111	16.5. Accessory	117
16 Exploded Views & Replacement Parts List	113	16.6. Replacement Parts List Notes	118
16.1. Exploded Views	113	16.7. Mechanical Replacement Parts List	119
16.2. Packing Exploded Views (1)	114	16.8. Electrical Replacement Parts List	120

1 Applicable signals

COMPONENT (Y, P_B, P_R), HDMI

* Mark: Applicable input signal

Signal name	COMPONENT	HDMI
525 (480) / 60i	*	*
525 (480) / 60p	*	*
625 (576) / 50i	*	*
625 (576) / 50p	*	*
750 (720) / 60p	*	*
750 (720) / 50p	*	*
1,125 (1,080) / 60i	*	*
1,125 (1,080) / 50i	*	*
1,125 (1,080) / 60p		*
1,125 (1,080) / 50p		*

PC (D-sub 15P)

Signal name	Horizontal frequency (kHz)	Vertical frequency (Hz)
640 × 400 @ 70 Hz	31.47	70.07
640 × 480 @ 60 Hz	31.47	59.94
640 × 480 @ 75 Hz	37.50	75.00
800 × 600 @ 60 Hz	37.88	60.32
800 × 600 @ 75 Hz	46.88	75.00
800 × 600 @ 85 Hz	53.67	85.06
852 × 480 @ 60 Hz	31.44	59.89
1,024 × 768 @ 60 Hz	48.36	60.00
1,024 × 768 @ 70 Hz	56.48	70.07
1,024 × 768 @ 75 Hz	60.02	75.03
1,024 × 768 @ 85 Hz	68.68	85.00
1,280 × 1,024 @ 60 Hz	63.98	60.02
1,366 × 768 @ 60 Hz	48.39	60.04
Macintosh13" (640 × 480)	35.00	66.67
Macintosh16" (832 × 624)	49.73	74.55
Macintosh21" (1,152 × 870)	68.68	75.06

Note

- Signals other than above may not be displayed properly.
- The above signals are reformatted for optimal viewing on your display.
- Applicable input signal for PC is basically compatible to VESA standard timing.
- PC signal is magnified or compressed for display, so that it may not be possible to show fine detail with sufficient clarity.

2 Safety Precautions

2.1. General Guidelines

1. When conducting repairs and servicing, do not attempt to modify the equipment, its parts or its materials.
2. When wiring units (with cables, flexible cables or lead wires) are supplied as repair parts and only one wire or some of the wires have been broken or disconnected, do not attempt to repair or re-wire the units. Replace the entire wiring unit instead.
3. When conducting repairs and servicing, do not twist the Faston connectors but plug them straight in or unplug them straight out.
4. When servicing, observe the original lead dress. If a short circuit is found, replace all parts which have been overheated or damaged by the short circuit.
5. After servicing, see to it that all the protective devices such as insulation barriers, insulation papers shields are properly installed.
6. After servicing, make the following leakage current checks to prevent the customer from being exposed to shock hazards.

2.2. Touch-Current Check

1. Plug the AC cord directly into the AC outlet. Do not use an isolation transformer for this check.
2. Connect a measuring network for touch currents between each exposed metallic part on the set and a good earth ground such as a water pipe, as shown in Figure 1.
3. Use Leakage Current Tester (Simpson 228 or equivalent) to measure the potential across the measuring network.
4. Check each exposed metallic part, and measure the voltage at each point.
5. Reserve the AC plug in the AC outlet and repeat each of the above measure.
6. The potential at any point (TOUCH CURRENT) expressed as voltage U_1 and U_2 , does not exceed the following values:
For a. c.: $U_1 = 35 \text{ V}$ (peak) and $U_2 = 0.35 \text{ V}$ (peak);
For d. c.: $U_1 = 1.0 \text{ V}$,

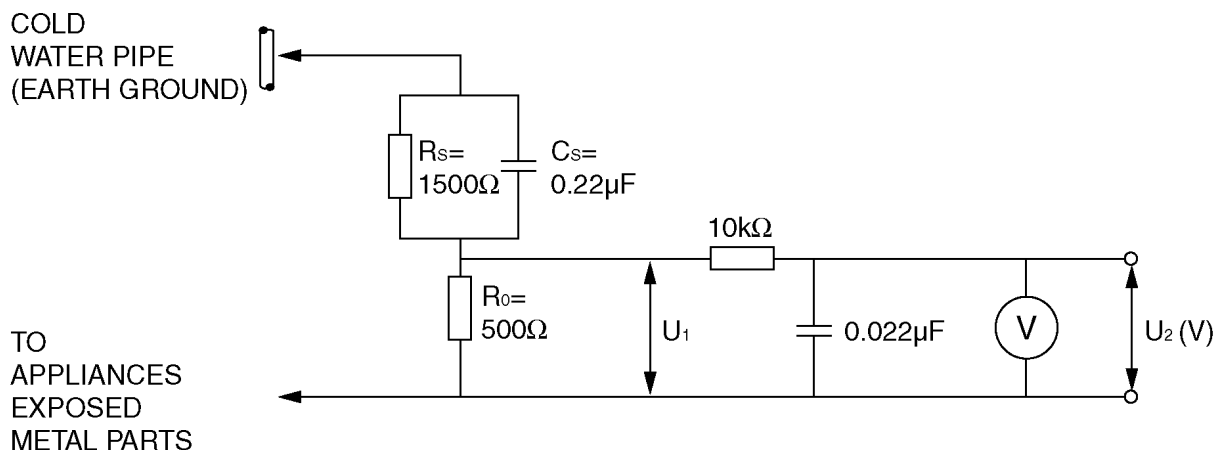
Note:

The limit value of $U_2 = 0.35 \text{ V}$ (peak) for a. c. and $U_1 = 1.0 \text{ V}$ for d. c. correspond to the values 0.7 mA (peak) a. c. and 2.0 mA d. c.

The limit value $U_1 = 35 \text{ V}$ (peak) for a. c. correspond to the value 70 mA (peak) a. c. for frequencies greater than 100 kHz .

7. In case a measurement is out of the limits specified, there is a possibility of a shock hazard, and the equipment should be repaired and rechecked before it is returned to the customer.

Measuring network for TOUCH CURRENTS



Resistance values in ohms (Ω)

V: Voltmeter or oscilloscope
(r.m.s. or peak reading)

Input resistance: $\geq 1 \text{ M}\Omega$

Input capacitance: $\leq 200 \text{ pF}$

Frequency range: 15 Hz to 1 MHz and d.c. respectively

NOTE - Appropriate measures should be taken to obtain the correct value in case of non-sinusoidal waveforms.

Figure 1

3 Prevention of Electrostatic Discharge (ESD) to Electrostatically Sensitive (ES) Devices

Some semiconductor (solid state) devices can be damaged easily by static electricity. Such components commonly are called Electrostatically Sensitive (ES) Devices. Examples of typical ES devices are integrated circuits and some field-effect transistors and semiconductor "chip" components. The following techniques should be used to help reduce the incidence of component damage caused by electrostatic discharge (ESD).


1. Immediately before handling any semiconductor component or semiconductor-equipped assembly, drain off any ESD on your body by touching a known earth ground. Alternatively, obtain and wear a commercially available discharging ESD wrist strap, which should be removed for potential shock reasons prior to applying power to the unit under test.
2. After removing an electrical assembly equipped with ES devices, place the assembly on a conductive surface such as aluminum foil, to prevent electrostatic charge buildup or exposure of the assembly.
3. Use only a grounded-tip soldering iron to solder or unsolder ES devices.
4. Use only an anti-static solder removal device. Some solder removal devices not classified as "anti-static (ESD protected)" can generate electrical charge sufficient to damage ES devices.
5. Do not use freon-propelled chemicals. These can generate electrical charges sufficient to damage ES devices.
6. Do not remove a replacement ES device from its protective package until immediately before you are ready to install it. (Most replacement ES devices are packaged with leads electrically shorted together by conductive foam, aluminum foil or comparable conductive material).
7. Immediately before removing the protective material from the leads of a replacement ES device, touch the protective material to the chassis or circuit assembly into which the device will be installed.

Caution

Be sure no power is applied to the chassis or circuit, and observe all other safety precautions.

8. Minimize bodily motions when handling unpackaged replacement ES devices. (Otherwise ham less motion such as the brushing together of your clothes fabric or the lifting of your foot from a carpeted floor can generate static electricity (ESD) sufficient to damage an ES device).

IMPORTANT SAFETY NOTICE

There are special components used in this equipment which are important for safety. These parts are marked by  in the schematic diagrams, Exploded Views and replacement parts list. It is essential that these critical parts should be replaced with manufacturer's specified parts to prevent shock, fire, or other hazards. Do not modify the original design without permission of manufacturer.

4 About lead free solder (PbF)

Note: Lead is listed as (Pb) in the periodic table of elements.

In the information below, Pb will refer to Lead solder, and PbF will refer to Lead Free Solder.

The Lead Free Solder used in our manufacturing process and discussed below is (Sn+Ag+Cu).

That is Tin (Sn), Silver (Ag) and Copper (Cu) although other types are available.

This model uses Pb Free solder in it's manufacture due to environmental conservation issues. For service and repair work, we'd suggest the use of Pb free solder as well, although Pb solder may be used.

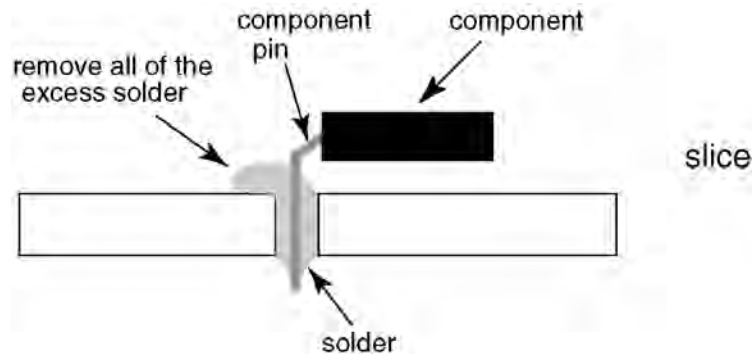
PCBs manufactured using lead free solder will have the PbF within a leaf Symbol **PbF** stamped on the back of PCB.

Caution

- Pb free solder has a higher melting point than standard solder. Typically the melting point is 50 ~ 70 °F (30~40 °C) higher. Please use a high temperature soldering iron and set it to 700 ± 20 °F (370 ± 10 °C).
- Pb free solder will tend to splash when heated too high (about 1100 °F or 600 °C).

If you must use Pb solder, please completely remove all of the Pb free solder on the pins or solder area before applying Pb solder. If this is not practical, be sure to heat the Pb free solder until it melts, before applying Pb solder.

- After applying PbF solder to double layered boards, please check the component side for excess solder which may flow onto the opposite side. (see figure below)



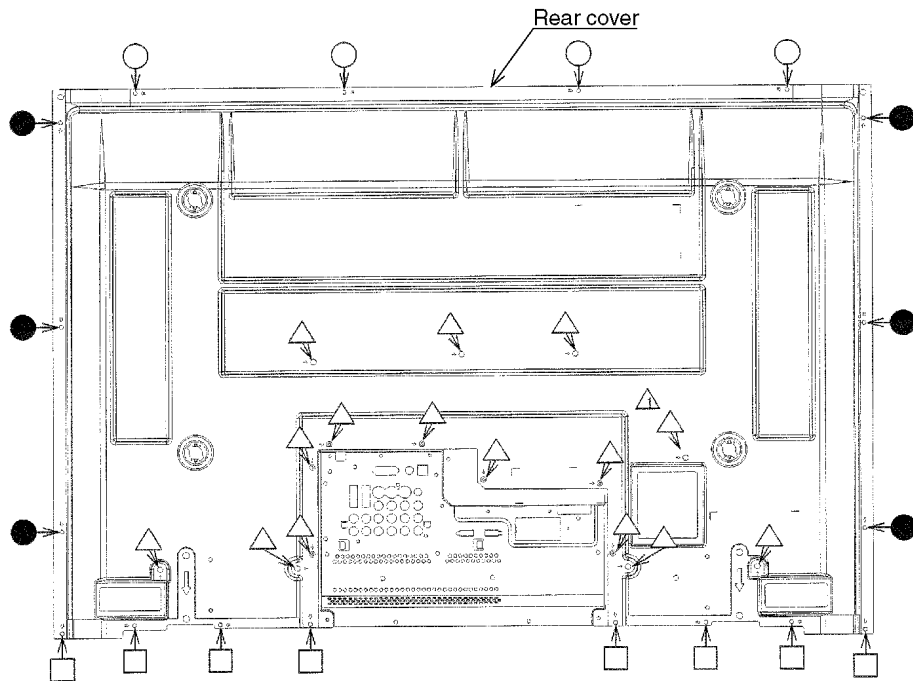
Suggested Pb free solder

There are several kinds of Pb free solder available for purchase. This product uses Sn+Ag+Cu (tin, silver, copper) solder. However, Sn+Cu (tin, copper), Sn+Zn+Bi (tin, zinc, bismuth) solder can also be used.

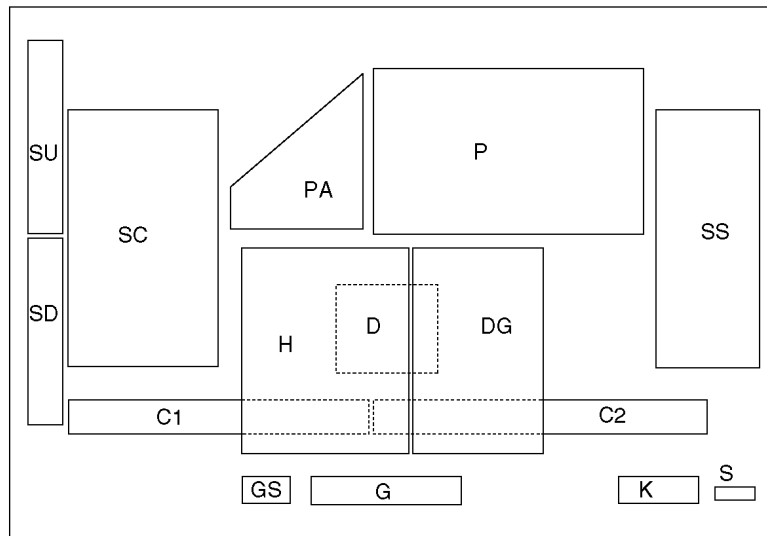
0.3mm X 100g	0.6mm X 100g	1.0mm X 100g

5 Service Hint

Remove the Rear Cover



- XYN4+F10FJ (4 PCS)
- XYN4+F30FJ (6 PCS)
- △ THEL0429 (15 PCS)
- XTB4+12GFJ (10 PCS)



Board Name	Function	Board Name	Function
P	Power Supply	D	Format Converter, Plasma AI, Sub-Field Processor
DG	Digital Signal Processor, Micon, HDMI Interface Peaks Lite 2	C1	Data Driver (Lower Right)
K	Remote receiver, Power LED	C2	Data Driver (Lower Left)
S	Power Switch	SC	Scan Drive
H	Speakers out, Sound Processor AV Terminal, AV Switch	SU	Scan out (Upper)
PA	DC-DC Converter	SD	Scan out (Lower)
GS	SD card slot	SS	Sustain Drive
		G	Key Switch, Front Terminal

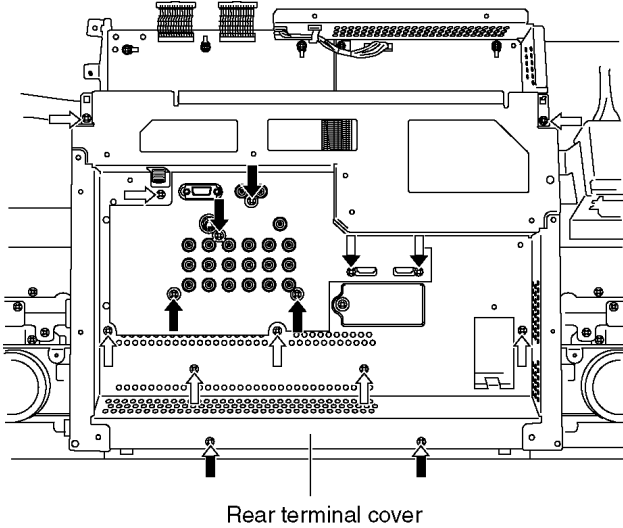
6 Plasma panel replacement method

6.1. Remove the rear cover

1. See Service Hint (Section 5)

6.2. Remove the rear terminal cover

1. Remove the screws (x9 ⇨, x4 ⇨, x2 ⇨, x2 ⇨).
2. Remove the rear terminal cover.

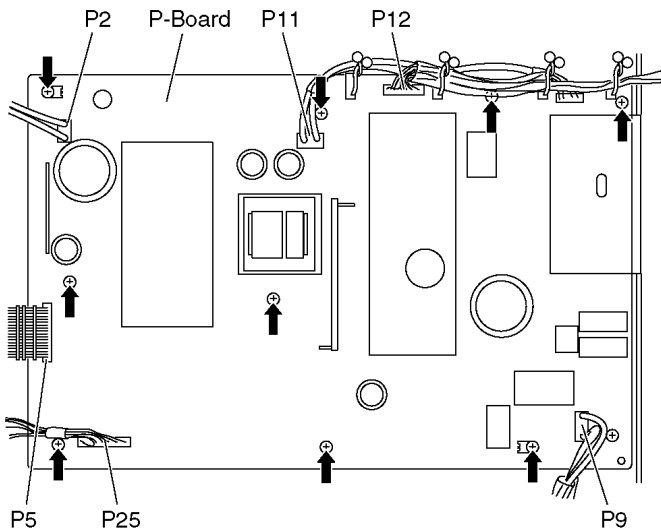


6.3. Remove the P-Board

Caution:

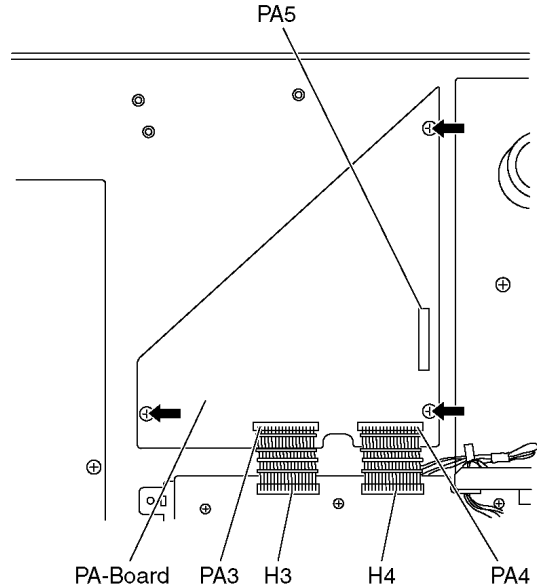
To remove P.C.B. wait 1 minute after power was off for discharge from electrolysis capacitors.

1. Unlock the cable clampers to free the cable.
2. Disconnect the connectors (P2, P5, P9, P11, P12 and P25).
3. Remove the screws (x9 ⇨) and remove the P-Board.



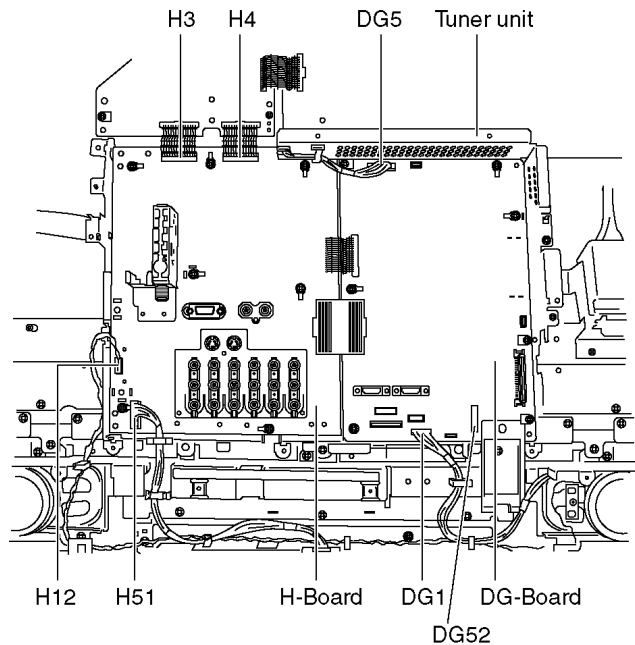
6.4. Remove the PA-Board

1. Unlock the cable clampers to free the cable.
2. Disconnect the connectors (PA3, PA4 and PA5).
3. Remove the screws (x3 ⇨) and remove the PA-Board.



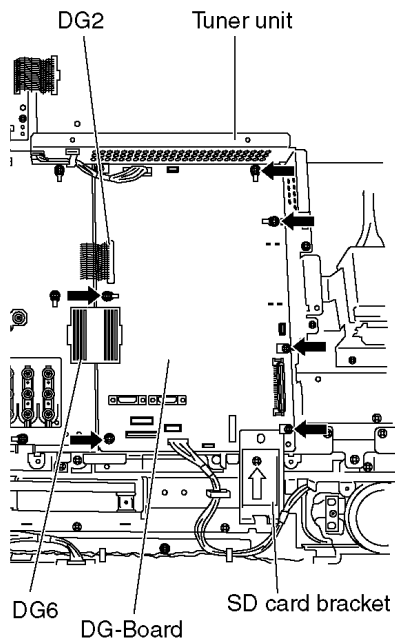
6.5. Remove the Tuner unit

1. Unlock the cable clampers to free the cable.
2. Disconnect the connectors (H3, H4, H12, H51, DG1, DG5 and DG52).
3. Remove the screws (x4 ⇨) and remove the tuner unit.



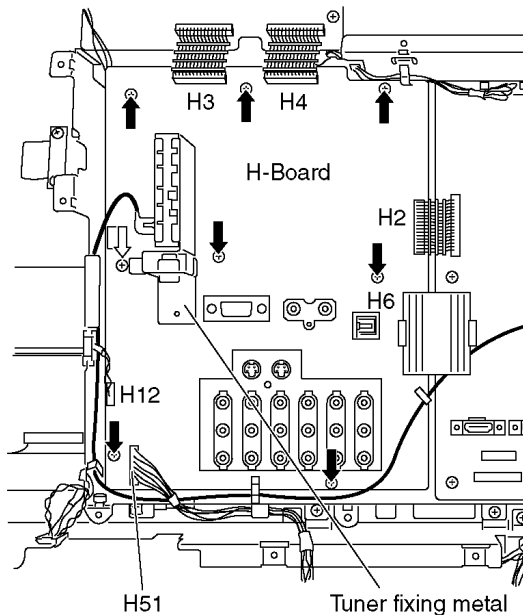
6.6. Remove the DG-Board

1. Remove the tuner unit. (See section 6.5.)
2. Remove the screw (x1 ⇨) and remove the SD card bracket.
3. Disconnect the connectors (DG2 and DG6)
4. Remove the screws (x6 ⇨) and remove the DG-Board.



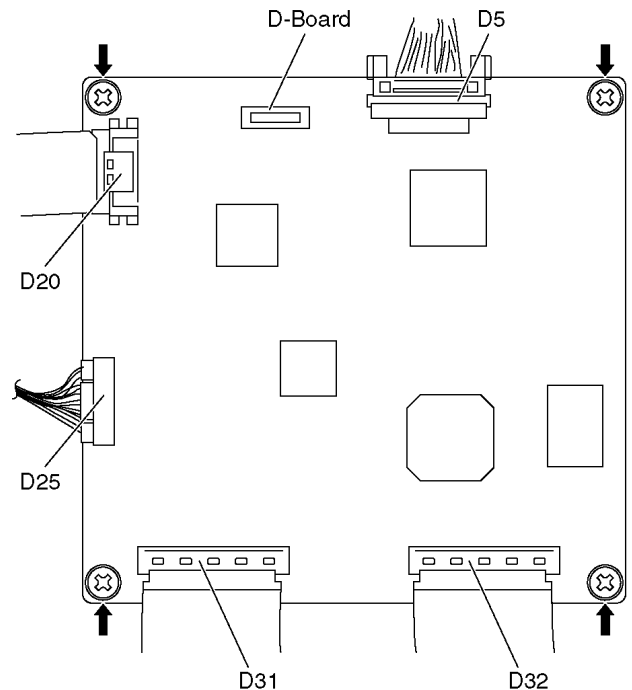
6.7. Remove the H-Board

1. Remove the tuner unit (See section 6.5.)
2. Remove the screw (x1 ⇨) and remove the tuner fixing metal.
3. Remove the screw (x7 ⇨) and remove the H-Board.



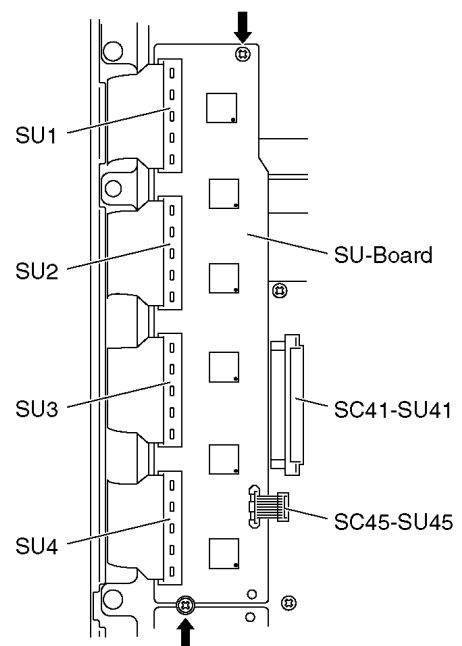
6.8. Remove the D-Board

1. Remove the tuner unit. (See section 6.5.)
2. Disconnect the connectors (D5 and D25).
3. Disconnect the flexible cables (D20, D31 and D32).
4. Remove the screws (x4 ⇨) and remove the D-Board.



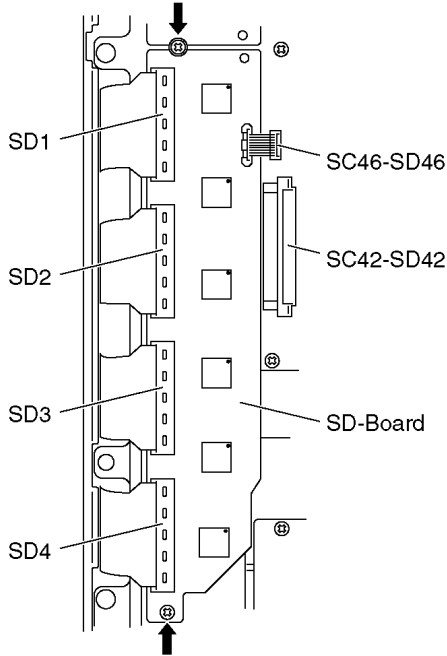
6.9. Remove the SU-Board

1. Remove the screws (x2 ⇨).
2. Remove the flexible cables (SU1, SU2, SU3 and SU4) connected to the SU-Board and remove the bridge connector (SC45-SU45).
3. Slide the SU-Board to the left to disconnect from a connector (SC41-SU41) on the SC-Board and remove the SU-Board.



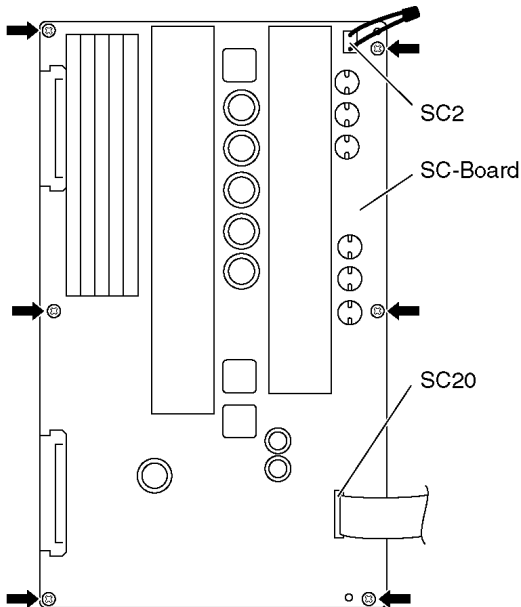
6.10. Remove the SD-Board

1. Remove the screws (x2 ➡).
2. Remove the flexible cables (SD1, SD2, SD3 and SD4) connected to the SD-Board and remove the bridge connector (SC46-SD46).
3. Slide the SD-Board to the left to disconnect from a connector (SC42-SD42) on the SC-Board and remove the SD-Board.



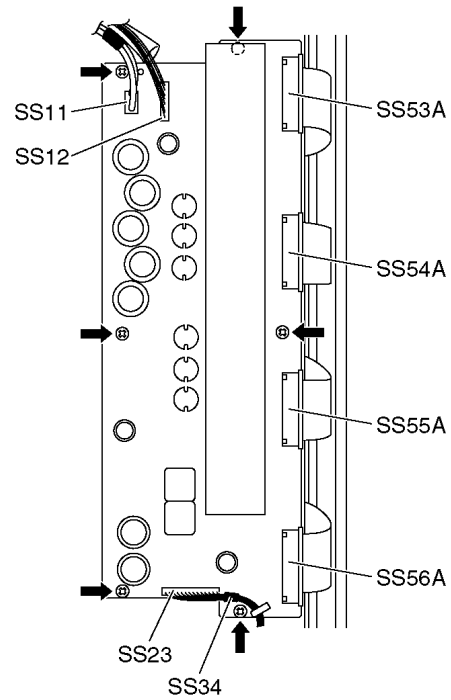
6.11. Remove the SC-Board

1. Remove the SU-Board and SD-Board. (See section 6.9. and 6.10.)
2. Unlock the cable clampers to free the cable.
3. Disconnect the connector (SC2).
4. Disconnect the flexible cable (SC20).
5. Remove the screws (x6 ➡) and remove the SC-Board.



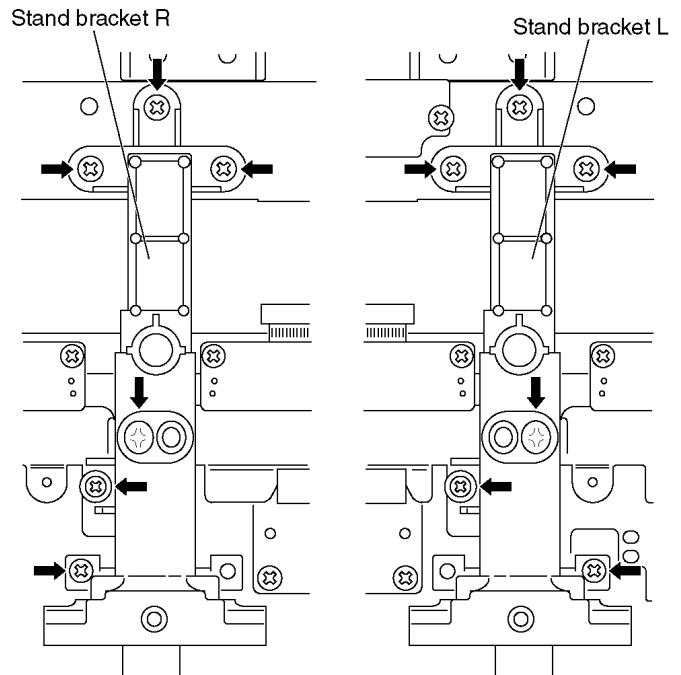
6.12. Remove the SS-Board

1. Disconnect the connectors (SS11, SS12, SS23 and SS34).
2. Disconnect the flexible cables (SS53A, SS54A, SS55A and SS56A).
3. Remove the screws (x6 ➡) and remove the SS-Board.



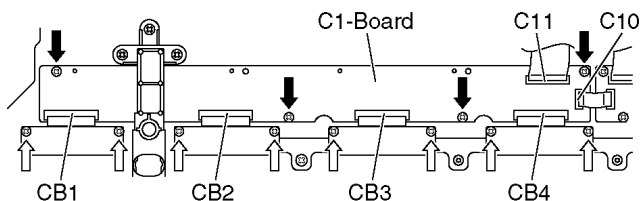
6.13. Remove the stand brackets

1. Remove the plasma panel section from the servicing stand and lay on a flat surface such as a table (covered) with the plasma panel surface facing downward.
2. Remove the stand brackets (left, right) fastening screws (x6 ➡ each) and remove the stand brackets (left, right).



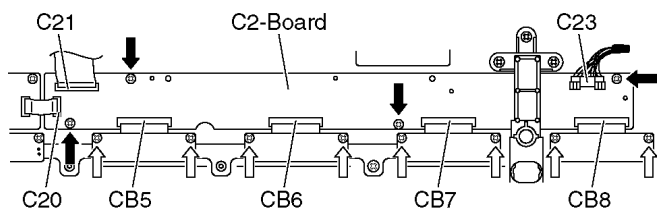
6.14. Remove the C1-Board

1. Remove the tuner unit. (See section 6.5.)
2. Unlock the cable clampers to free the cable.
3. Remove the flexible cables holder fastening screws (x8 ⇨).
4. Disconnect the flexible cables (CB1, CB2, CB3 and CB4).
5. Disconnect the flexible cables (C10 and C11).
6. Remove the screws (x4 ⇨) and remove the C1-Board.



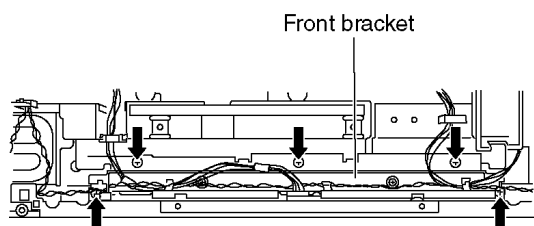
6.15. Remove the C2-Board

1. Remove the tuner unit. (See section 6.5.)
2. Unlock the cable clampers to free the cable.
3. Remove the flexible cables holder fastening screws (x8 ⇨).
4. Disconnect the flexible cables (CB5, CB6, CB7 and CB8).
5. Disconnect the flexible cables (C20 and C21).
6. Disconnect the connector (C23).
7. Remove the screws (x4 ⇨) and remove the C2-Board.



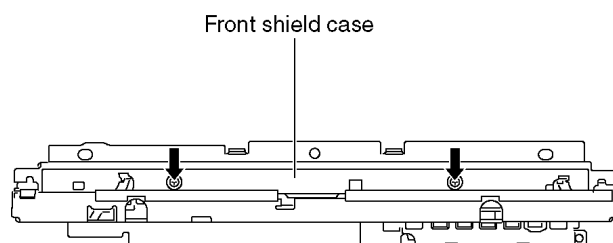
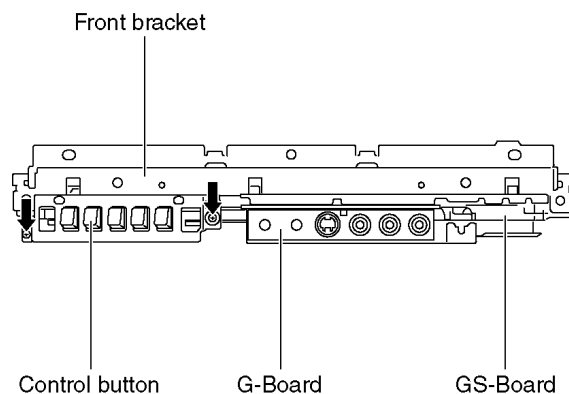
6.16. Remove the front bracket

1. Disconnect the connector (H51). (See section 6.5.)
2. Remove the screws (x5 ⇨) and remove the front bracket.

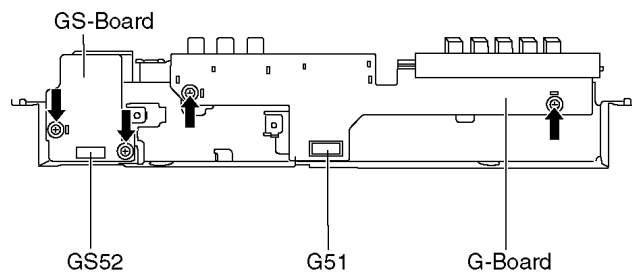


6.17. Remove the G-Board and GS-Board

1. Remove the front bracket. (See section 6.16.)
2. Remove the screws (x4 ⇨) and remove the front shield case and the control button.

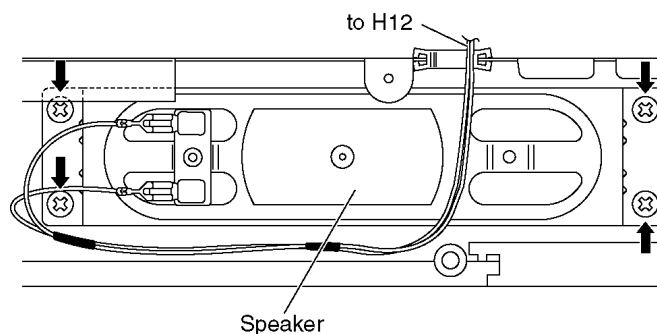


3. Remove the screws (x4 ⇨) and disconnect the connector (G51 and GS52).
4. Remove the G-Board and GS-Board.



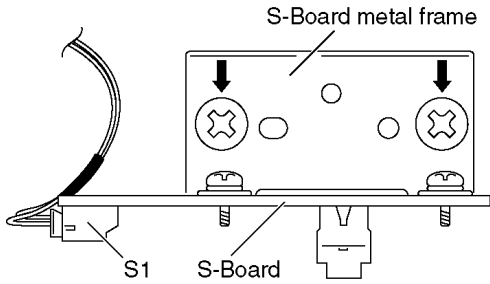
6.18. Remove the speaker L, R

1. Disconnect the connector (H12). (See section 6.5.)
2. Remove the screws (x4 ⇨ each) and remove the speaker L, R.

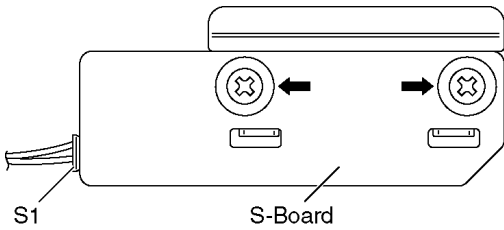


6.19. Remove the S-Board

1. Remove the screws (x2 ➡) and remove the S-Board metal frame.

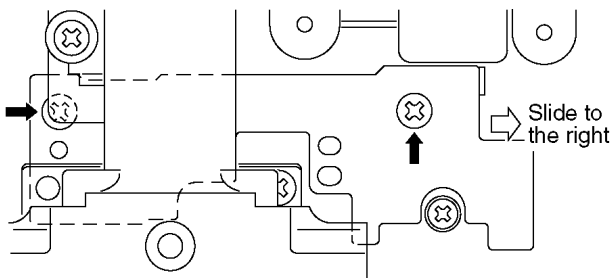


2. Disconnect the connector (S1).
3. Remove the screws (x2 ➡) and remove the S-Board.

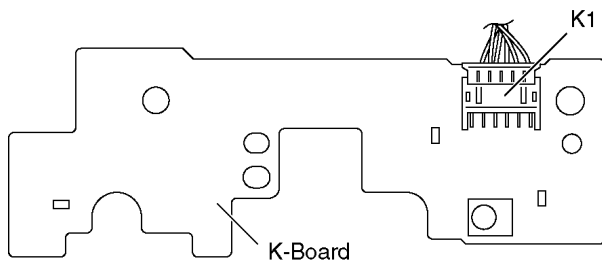


6.20. Remove the K-Board

1. Remove the S-Board. (See section 6.19.)
2. Unlock the cable clampers to free the cable.
3. Disconnect the connectors (DG1). (See section 6.5.)
4. Remove the screws (x2 ➡) and slide to the right to remove the K-Board.

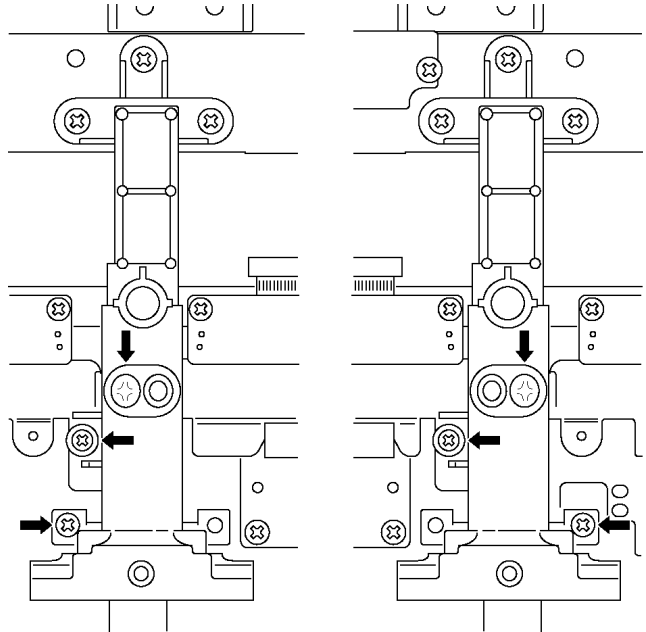


5. Disconnect the connectors (K1) and remove the K-Board.

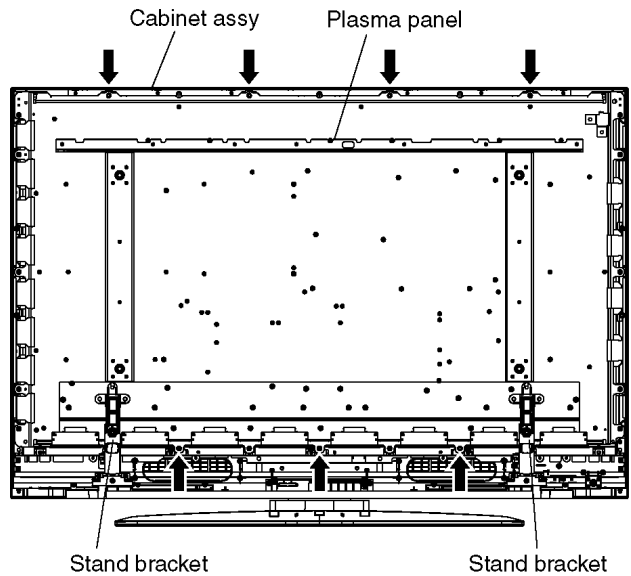


6.21. Remove the Plasma panel section from the Cabinet assy (glass)

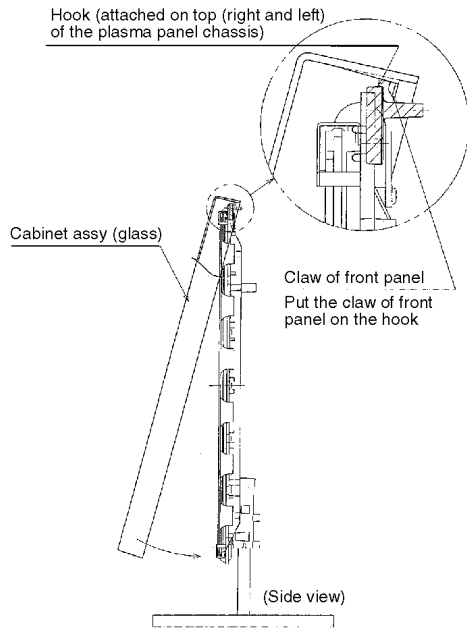
1. Remove the plasma panel section from the servicing stand and lay on a flat surface such as a table (covered) with the plasma panel surface facing downward.
2. Remove the stand brackets (left, right) fastening screws (x3 ➡ each).



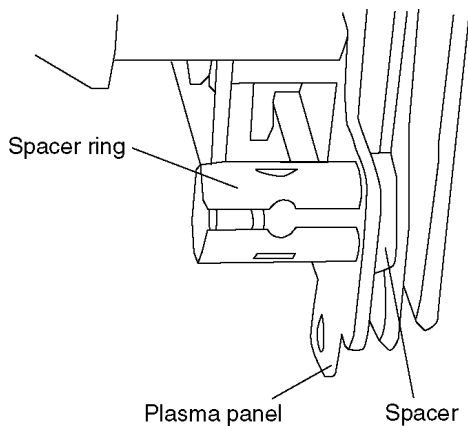
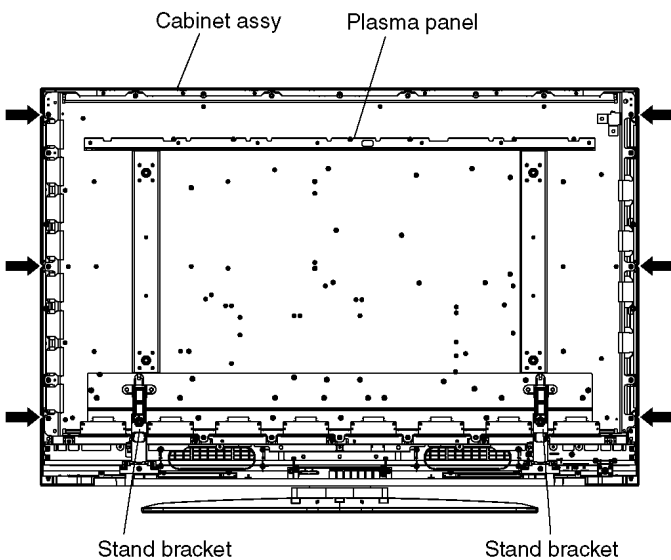
3. Replace the servicing stand and stand the set.
4. Remove the cabinet assy and the plasma panel fastening screws (x7 ➡).



5. For leaving the plasma panel from the cabinet assy, pull the bottom of the front frame forward, lift, and remove.



6. Remove the spacers and spacer rings (x6 →).



6.22. Replace the plasma panel (finished)

1. Place the new plasma panel (finished) on the flat surface of the table (covered by a soft cloth), with the plasma panel surface facing downward.
2. Attach the C1-Board and the C2-Board, connect the flexible cables (x16) from the Plasma panel to the C1-Board and the C2-Board, and fit the flexible cable holders.
3. Attach the Hooks (left, right) and fit the stand brackets (L, R) to the new plasma panel.
4. Place the plasma panel section on the servicing stand.
5. Attach the cabinet assy and each P.C.Board and so on, to the new plasma panel.

***When fitting the front frame, be careful to allow any debris, dust or handling residue to remain between the front glass and plasma panel.**

7 Caution statement

7.1. Caution statement.

Caution:

Please confirm that all flexible cables are assembled correctly.

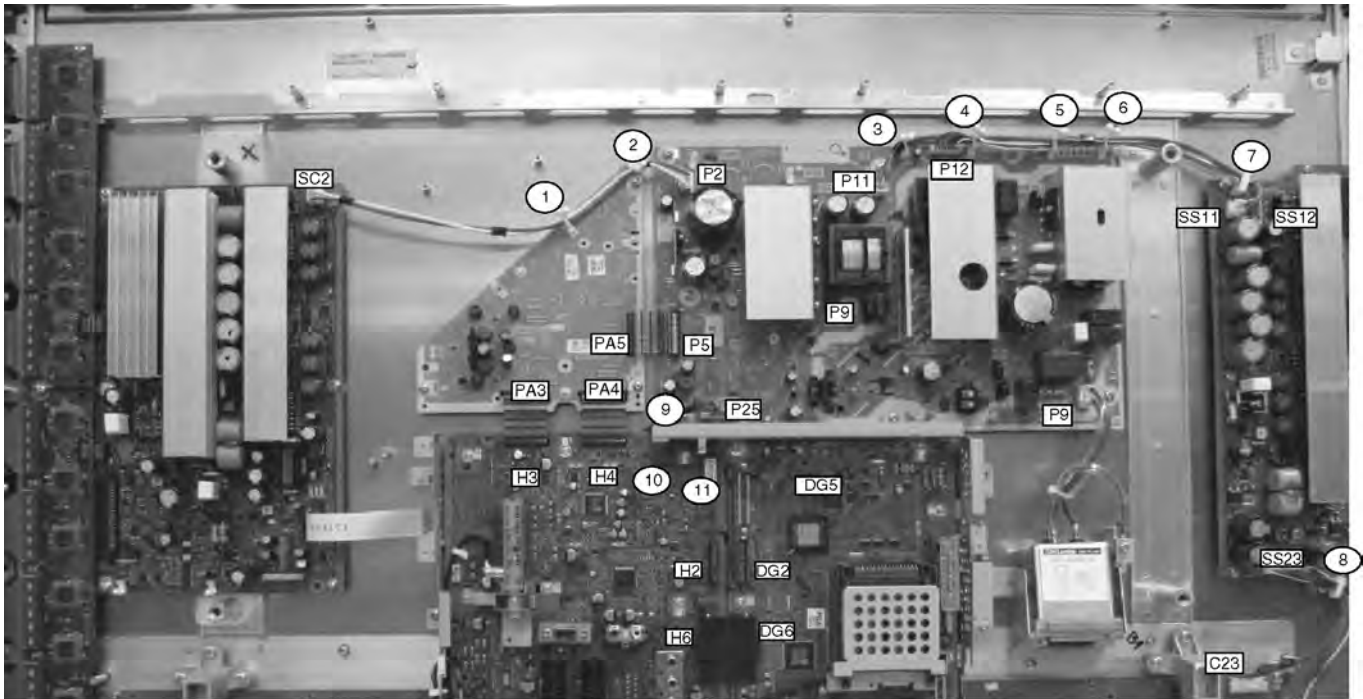
Also make sure that they are locked in the connectors.

Verify by giving the flexible cables a very slight pull.

8 Location of Lead Wiring

8.1. Lead of Wiring (1)

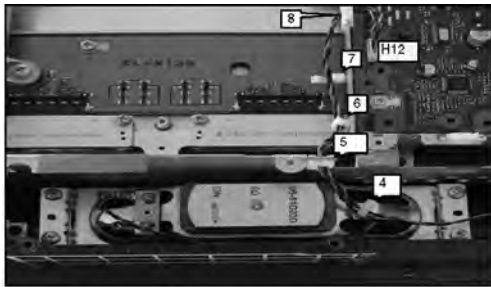
The wire is dressed as shown in figure.



	1	2	3	4	5	6	7	8	9	10	11
SC2-P2	○	○									
P11-SS11			○	○	○	○	○				
P12-SS12				○	○	○	○				
D25-P25									○		
DG5-D5										○	○
SS23-C23								○			
TUN-PA											

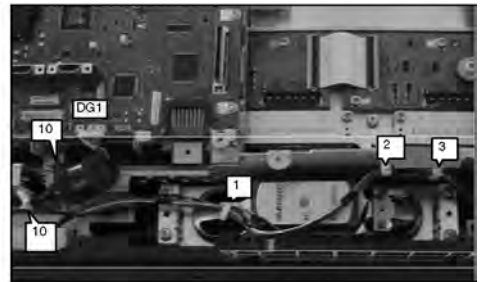
8.2. Lead of Wiring (2)

The wire is dressed as shown in figure.

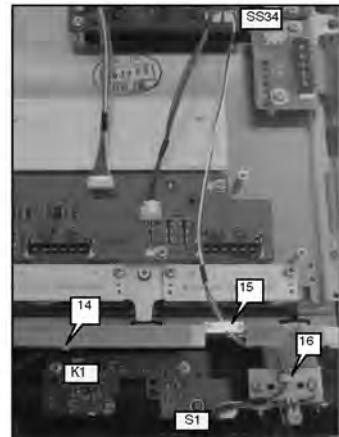
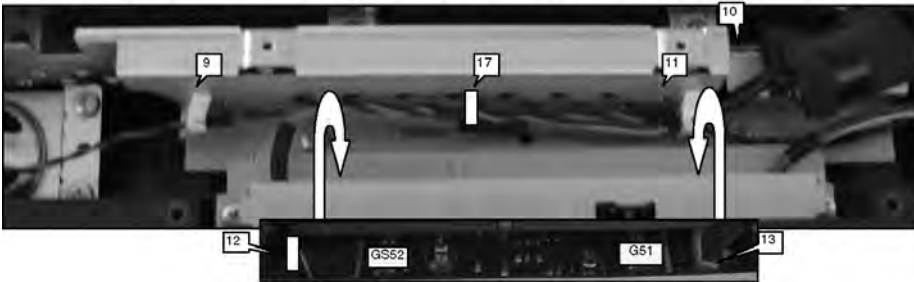


INSERTION OF WIRE TO CLAMPER SEE PICTURE

○ SINGLE WRAP



WIRE	CLAMPER																
	1	2	3	4	5	6	7	8	9	10	11	12	15	16	17		
H12-SPKL				○	○		○	○									
H12-SPKR	○			○	○		○	○	○								
DG1-K1	○	○	○							○	○						
S1-SS34													○	○			
H51-G51																	
DG52-GS52									○						○		



9 Self-check Function

Use the self-check function to test the unit.

1. Checking the IIC bus lines
2. Power LED Blinking timing

9.1. Check of the IIC bus lines

9.1.1. How to access

Self-check indication only:

Produce TV reception screen, and while pressing [VOLUME (-)] button on the main unit, press [OK] button on the remote control for more than 3 seconds.

Self-check indication and forced to factory shipment setting:

Produce TV reception screen, and while pressing [VOLUME (-)] button on the main unit, press [MENU] button on the remote control for more than 3 seconds.

9.1.2. Screen display

42HD SET	Panasonic 2007PDP SELF CHECK COMPLETE	42pv70l.dat:000045
ADV OK VSW OK ADAV OK ASW OK GENX OK MEN1 OK MEN2 OK TUN1 OK PDP-PANEL OK TEMP OK	PEAKS-SOFT 0.130 PEAKS-EEP 00.04.0308 GENX-SOFT 1.00.00 GENX-EEP 1.02.00 GENX-ROMCOR 1.01.00 PDP-MCU 02.02 PDP-EEP 41.05 PDP-FPGA 41.04 PDP-PD1-M 41.05	SUM 2c801198 Model ID 04 02060300 00000020

9.1.3. Check Point

Confirm the following parts if NG was displayed.

Display	Ref. No.	Description	P.C.B.
ADV	IC4510	AD/HDMI	DG-Board
VSW	IC3001	Video SW	H-Board
ADAV	IC2106	Sound Processor	H-Board
ASW	IC3101	Audio SW	H-Board
GEN	IC1100	GenX (STB MCU)	DG-Board
MEM1	IC1101	EEPROM (GenX)	DG-Board
MEM2	IC8601	EEPROM (Peaks)	DG-Board
TUN1	TU3200	Tuner	DG-Board
PDP-PANEL	IC9003	MICOM	D-Board
TEMP	IC4800	Temp Sensor	DG-Board

9.1.4. Exit

Disconnect the AC cord from wall outlet.

9.2. Power LED Blinking timing chart

1. Subject

Information of LED Flashing timing chart.

2. Contents

When an abnormality has occurred the unit, the protection circuit operates and reset to the stand by mode. At this time, the defective block can be identified by the number of blinks of the Power LED on the front panel of the unit.

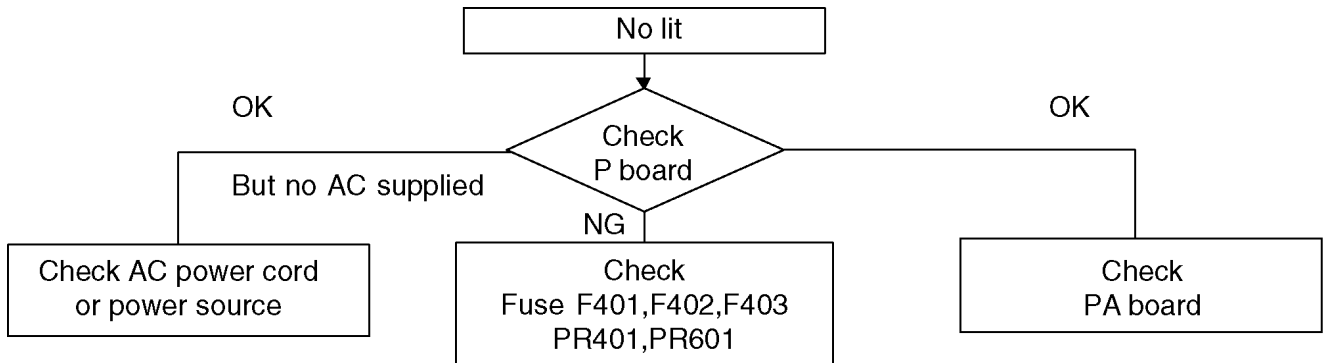
Blinking Times	Blinking timing	Contents	Check point
1		No particular check point	-
2		15V SOS	P-Board
3		3.3V SOS	D-Board
4		Power SOS	P-Board
5		5V SOS	P-Board D-Board
6		Driver SOS1 (SC Energy recovery circuit)	SU-Board SD-Board SC-Board
7		Driver SOS2 (SC floating voltage area)	SU-Board SD-Board SC-Board
8		Driver SOS3 (SS Energy recovery circuit)	SS-Board
9		Config SOS	-
10		Sub 5V SOS Main 3.3V SOS DTV 9V SOS Tuner Power SOS	PA-Board H-Board DG-Board
12		Sound SOS	P-Board H-Board
13		Communication Error with IC8001 (Peaks Lite2)	DG-Board

9.3. No Power

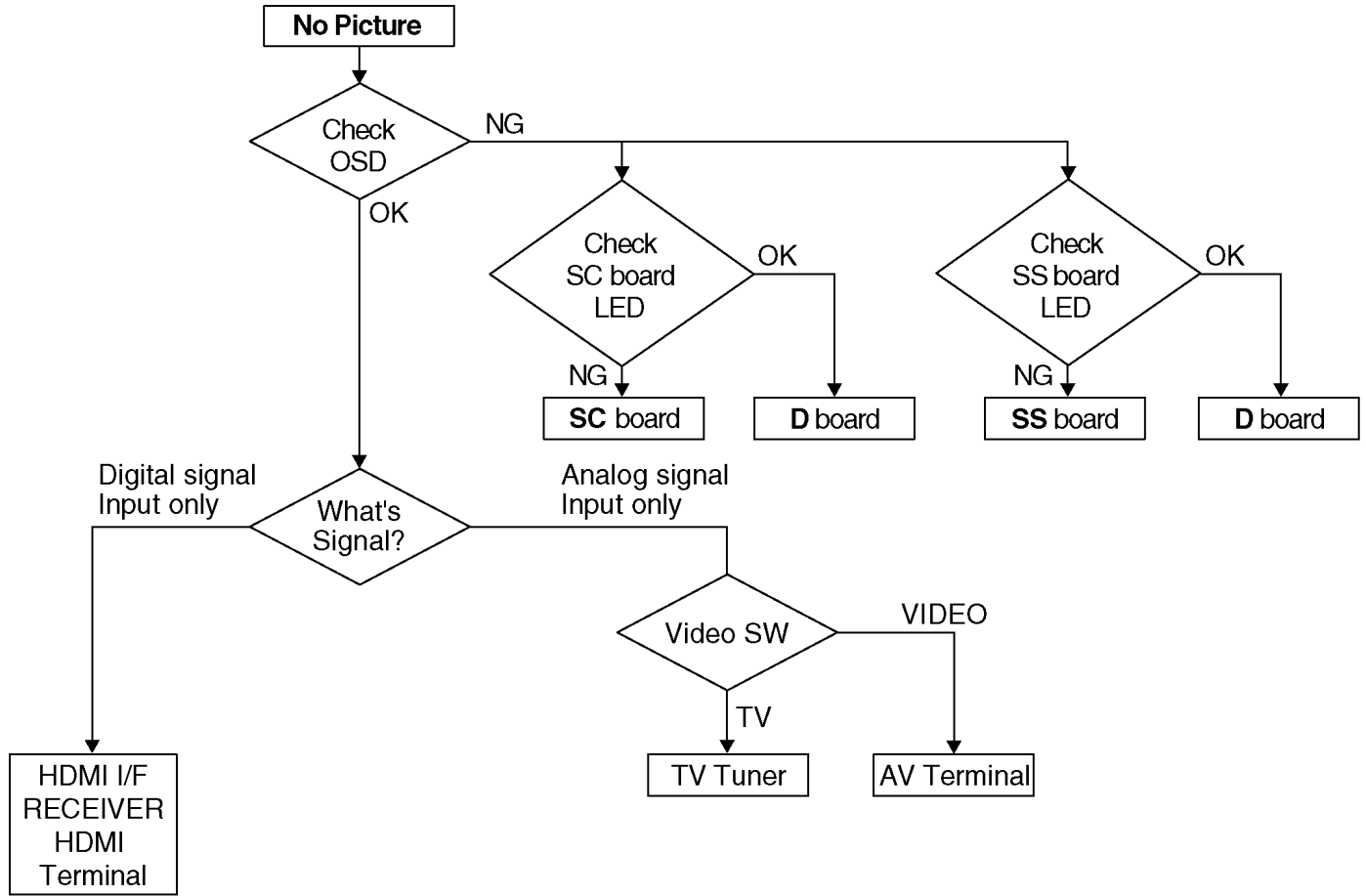
First check point

There are following 2 states of No Power indication by power LED.

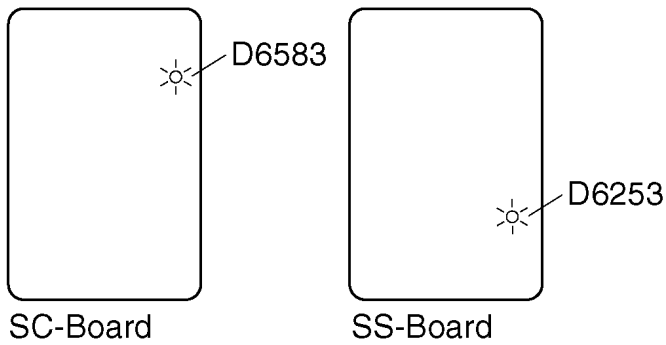
1. No lit
2. Red is lit then turns red blinking a few seconds later. (See 9.2.)



9.4. No Picture



Drive circuits LED indicator



9.5. Local screen failure

Plasma display may have local area failure on the screen. Fig-1 is the possible defect P.C.B. for each local area.

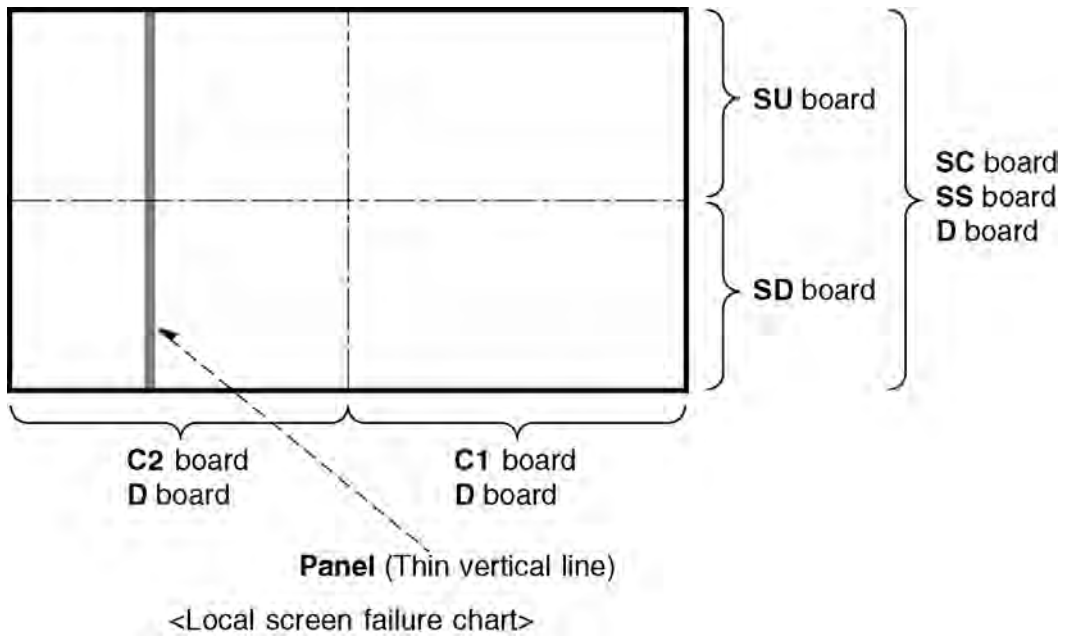
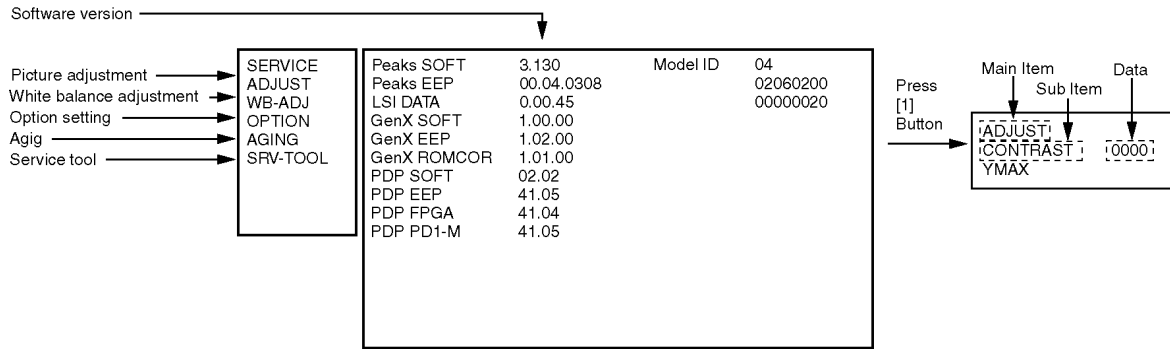


Fig-1

10 Service Mode

10.1. How to enter into Service Mode

While pressing [VOLUME (-)] button of the main unit, press [0] button of the remote control three times within 3 seconds.



10.1.1. Key command

"1" button...Main items Selection in forward direction

"2" button...Main items Selection in reverse direction

"3" button...Sub items Selection in forward direction

"4" button...Sub items Selection in reverse direction

"RED" button...All Sub items Selection in forward direction

"GREEN" button...All Sub items Selection in reverse direction

"VOL" button...Value of sub items change in forward direction (+), in reverse direction (-)

10.1.2. Contents of adjustment mode

- Value is shown as a hexadecimal number.
- Preset value differs depending on models.
- After entering the adjustment mode, take note of the value in each item before starting adjustment.

Main item	Sub item	Sample data	Remark
ADJUST	CONTRAST	24C	
	COLOR	2B	
	TINT	00	
	SUB-BRT	810	
	H-POS	0	
	H-AMP	0	
	V-POS	0	
	V-AMP	0	
WB-ADJ	R-CUT	80	
	G-CUT	80	
	B-CUT	80	
	R-DRV	FC	
	G-DRV	F1	
	B-DRV	DE	
	ALL-CUT	80	
	ALL-DRV	FC	
OPTION	Panel-Type	42HD	Factory Preset
	Boot	ROM	
	STBY-SET	00	
	Emergency	ON	
	Y/C Delay	0	
AGING	RGBW		
	All white (COUNTER)		
	All white		
	All red		
	All green		
	All blue		
	ON/OFF		
	Diagonal lamp W		
	Diagonal lamp R		
	Diagonal lamp G		
	Diagonal lamp B		
	1% WINDOW		
	COLOR BAR		
	A B zone/checkerd 4 trio		
	SCROLL BAR		
	2dot width border		
SRV-TOOL			see next

10.1.3. How to exit

Switch off the power with the [POWER] button on the main unit or the [POWER] button on the remote control.

10.2. Service tool mode

10.2.1. How to access

1. Select "SRV-TOOL" in Service Mode.
2. Press [OK] button on the remote control.

	SRV-TOOL		
Display of TD2Microcode version →	TD2Microcode:81c0000e		
Display of Flash ROM maker code →	Flash ROM : 1 - 227E		
Display of SOS History →	PTCT : 00 .00 .00 .00 .00	Time 00000:40	Count 0000022 ← POWER ON TIME/COUNT Press [MUTE] buton (3sec)

10.2.2. Display of SOS History

SOS History (Number of LED blinking) indication.

From left side; Last SOS, before Last, three occurrence before, 2nd occurrence after shipment, 1st occurrence after shipment.

This indication will be cleared by "Self-check indication and forced to factory shipment setting".

10.2.3. POWER ON TIME/COUNT

Time : Cumulative power on time, indicated hour : minute by decimal

Count : Number of On times by decimal

Note : This indication will not cleared by self-check or any command.

10.2.4. Exit

1. Disconnect the AC code from wall outlet.

11 Adjustment Procedure

11.1. Driver Set-up

11.1.1. Item / Preparation

1. Input a white signal to plasma video input.
2. Set the picture controls as follows.
Picture menu: Dynamic
PNR: OFF
Aspect: 16:9

Caution

1. First perform Vsus adjustment.
2. Confirmation of Vscn voltage should be performed after confirmation of Vad adjustment.

When Vad=-105V, Voltage of Vscn is 40V \pm 4V.

11.1.2. Adjustments

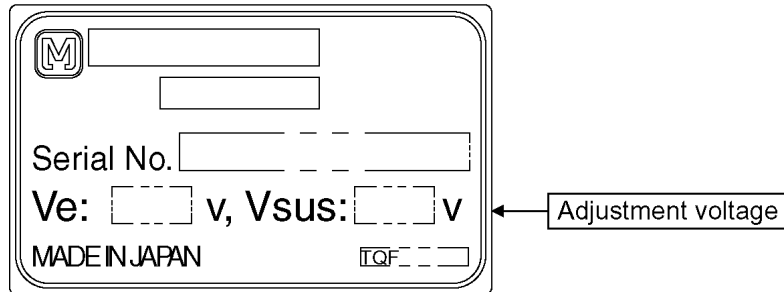
Adjust driver section voltages referring the panel data on the panel data label.

Check or adjust the following voltages with the multimeter.

Name	Test Point	Voltage	Volume	Remarks
Vsus	TPVSUS (SS)	Vsus \pm 2V	R628 (P)	*
Ve	TPVE (SS)	Ve \pm 1V	VR6000 (SS)	*
Vset	TPVSET (SC)	330V \pm 7V	Fixed	
Vad	TPVAD (SC)	-105V \pm 1V	VR6600 (SC)	
Vscn	TPVSCN (SC)	Vad+145V \pm 4V	Fixed	
Vda	TPVDA (SS)	75V + 1V, -2V	Fixed	
PFC	C446(+)(-)	396V \pm 0.5V	R443 (P)	

*See the Panel label.

Panel Label information



11.2. Initialization Pulse Adjust

1. Input the White signal to plasma video input.
2. Set the picture controls as follows.

Picture menu : Dynamic

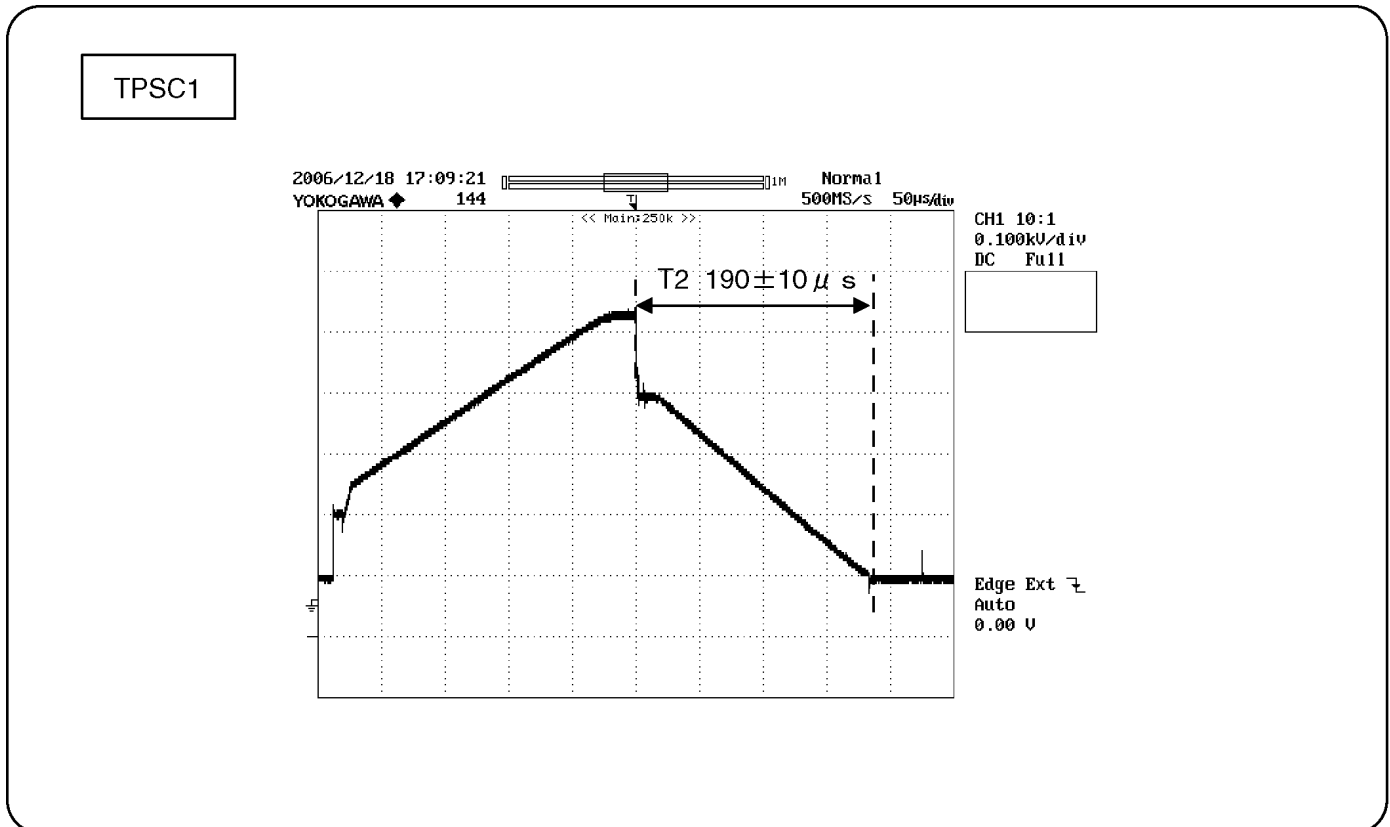
PNR : OFF

Aspect : 16:9

3. Connect Oscilloscope to TPSC1 (SC).

Check and adjust that the stand down pulse(T2) period are each within specification.

	Test point	Volume	Level
T2	TPSC1 (SC)	VR6602 (SC)	190 ± 10µ Sec



11.3. P.C.B. (Printed Circuit Board) exchange

11.3.1. Caution

1. To remove P.C.B. , wait 1 minute after power was off for discharge from electrolysis capacitors.

11.3.2. Quick adjustment after P.C.B. exchange

Adjust the following voltages with the multimeter.

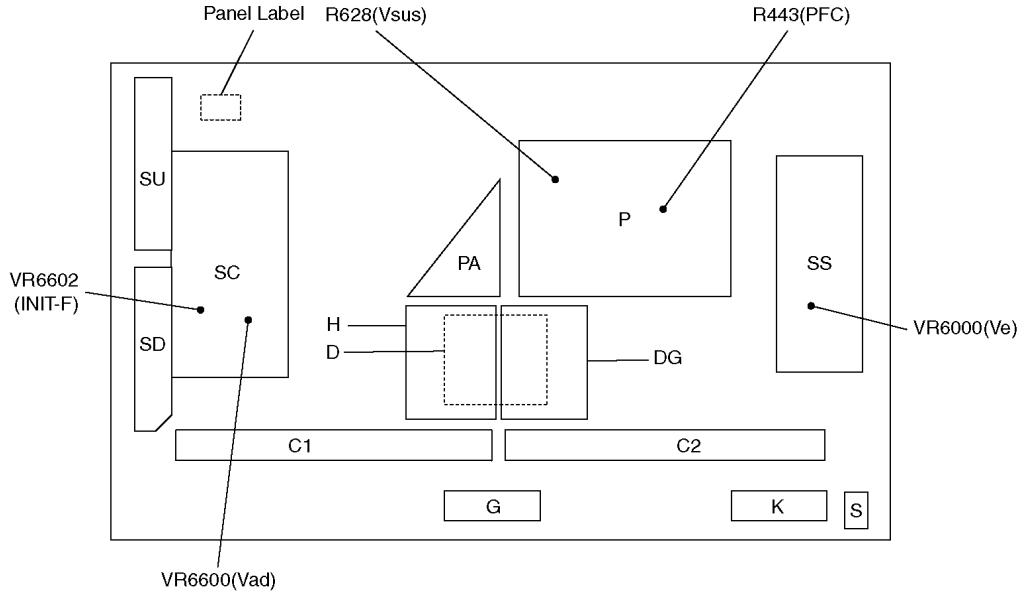
P.C.B.	Name	Test Point	Voltage	Volume	Remarks
P Board	Vsus	TPVSUS (SS)	Vsus ± 2V	R628 (P)	*
	PFC	C446	396V ± 0.5V	R443 (P)	
SC Board	Vad	TPVAD (SC)	-105V ± 1V	VR6600 (SC)	
SS Board	Ve	TPVE (SS)	Ve ± 1V	VR6000 (SS)	*
D, DG Board	White balance and Sub brightness for NTSC, PAL, HD, PC and 625i signals				

*See the Panel label.

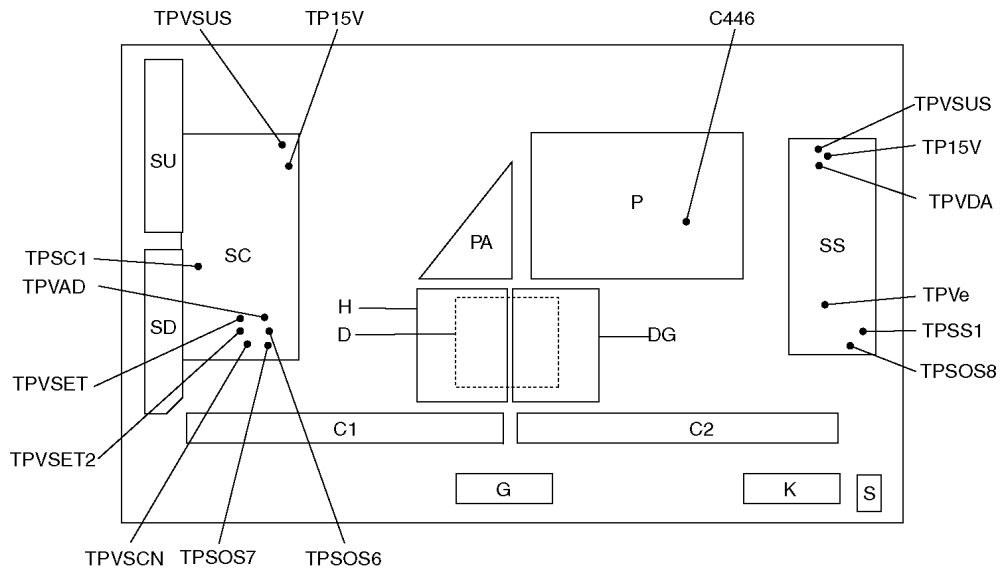
Caution:

Absolutely do not reduce Vsus below Ve not to damage the P.C.B.

11.4. Adjustment Volume Location

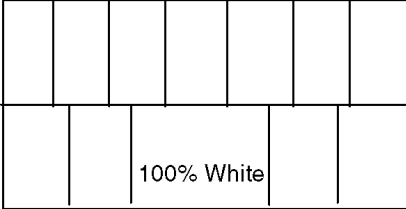
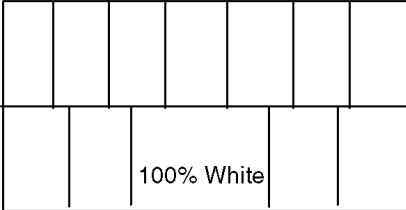
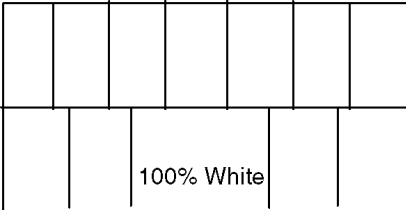


11.5. Test Point Location

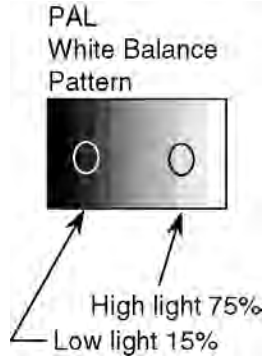


12 Adjustment

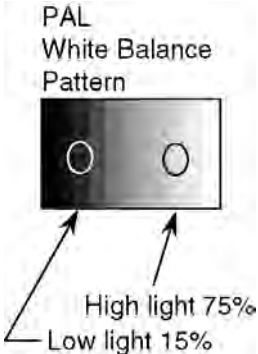
12.1. Sub-Contrast adjustment

Name of measuring instrument	Connection	Remarks
RF generator Base Band generator		
Preparation (AV)		Remarks
1. Receive AV1 (PAL-M or NTSC 100% Full White or Split Colour bar shown as below) . 		
2. Goes into service mode. 3. Push "1" or "2" key, and goes into service mode for "Sub-Contrast".		
Adjustment of AV system		Remarks
1. The colour key yellow button of remote control is pushed. 2. The OSD character of sub-contrast becomes red. (Inside under automatic adjustment) 3. The OSD character of sub-contrast returns to black. 4. End.		
Preparation (RF)		Remarks
1. Receive RF (PAL-M or NTSC 100% Full White or Split Colour bar shown as below.) 		
2. Goes into service mode. 3. Push "1" or "2" key, and goes into service mode for "Sub-Contrast".		
Adjustment of RF system		Remarks
1. The colour key yellow button of remote control is pushed. 2. The OSD character of sub-contrast becomes red. (Inside under automatic adjustment) 3. The OSD character of sub-contrast returns to black. 4. End.		
Preparation (HD)		Remarks
1. Receive Component (1080i/ 60Hz or 1080i/ 50Hz, 100% Full White or Split colour bar as shown below.) 		
2. Goes into service mode. 3. Push "1" or "2" key, and goes into service mode for "Sub-Contrast".		
Adjustment of HD system		Remarks
1. The colour key yellow button of remote control is pushed. 2. The OSD character of sub-contrast becomes red. (Inside under automatic adjustment) 3. The OSD character of sub-contrast returns to black. 4. End.		

12.2. PAL panel white balance adjustment

Instrument Name	Connection	Remarks												
<ul style="list-style-type: none"> W/B pattern (PAL-M or NTSC) Color analyzer (Minolta CA-100 or equivalent) 	RF input Panel surface	User setting: Normal												
Procedure		Remarks												
<ul style="list-style-type: none"> Asing time is longer than 15min. Make sure the front panel to be used on the final set is fitted. Make sure a color signal is not being shown before adjustment. Put the color analyzer where there is little colour variation. <p>Complete the adjustment within 10 minutes after the turn on electricity. Turn on the power supply again when it is not possible to complete it by aging etc.</p> <ol style="list-style-type: none"> Display the white balance pattern. Enter the Service mode. A number key "1" and "2" are operated and "WB-ADJ" is displayed. Check that the color balance is "HIGH". Select "G-CUTOFF" item, using the number-key "3" or "4", and set to "80", using the volume-key "+" or "-". Also, "B-CUTOFF" and "R-CUTOFF" set to "80". Set "G-DRIVE" at "E0". Touch the signal receiver of color analyzer to the highlight window's center, and adjust B drive and R drive so x, y become the "COLOR TEMP HIGH" in the below table. All RGB drive increase so that the maximum drive value of RGB may become "FC". ("ALL-DRIVE" set to "FC".) Set color balance to "NORMAL" using "7" key. Fix G cutoff , B cutoff and R cutoff at "80". Fix G drive at "E0". Adjust B drive and R drive so the highlight window's x, y become the "COLOR TEMP NORMAL" in the below table. All RGB drive increase so that the maximum drive value of RGB may become "FC". ("ALL-DRIVE" set to "FC".) Set color balance to "LOW" using "7" key. Fix G cutoff, B cutoff and R cutoff to "80". Fix G drive to "E0". Adjust B drive and R drive so the highlight window's x, y become the "COLOR TEMP LOW" shown in the below table. All RGB drive increase so that the maximum drive value of RGB may become "FC". ("ALL-DRIVE" set to "FC".) 		<p>Picture menu : Dynamic ASPECT : 16:9</p> <ul style="list-style-type: none"> Highlight section Signal amplitude 75%  <p>PAL White Balance Pattern</p> <p>High light 75% Low light 15%</p>												
<p>Table 1. Color temp target value</p> <table border="1"> <thead> <tr> <th>COLOR TEMP</th> <th>x</th> <th>y</th> </tr> </thead> <tbody> <tr> <td>HIGH</td> <td>0.276</td> <td>0.276</td> </tr> <tr> <td>NORMAL</td> <td>0.288</td> <td>0.296</td> </tr> <tr> <td>LOW</td> <td>0.313</td> <td>0.329</td> </tr> </tbody> </table>			COLOR TEMP	x	y	HIGH	0.276	0.276	NORMAL	0.288	0.296	LOW	0.313	0.329
COLOR TEMP	x	y												
HIGH	0.276	0.276												
NORMAL	0.288	0.296												
LOW	0.313	0.329												

12.3. HD white balance adjustment

Instrument Name	Connection	Remarks												
<ul style="list-style-type: none"> 1080i W/B Pattern Color analyzer(Minolta CA-100 or equivalent) 	<ul style="list-style-type: none"> RF input Panel surface 	User setting: Normal												
Procedure		Remarks												
<ul style="list-style-type: none"> Asing time is longer than 15min. Make sure the front panel to be used on the final set is fitted. Make sure a color signal is not being shown before adjustment. Put the color analyzer where there is little colour variation. <p>Complete the adjustment within 10 minutes after the turn on electricity.</p> <p>Turn on the power supply again when it is not possible to complete it by aging etc.</p> <ol style="list-style-type: none"> Display the white balance pattern. Enter the service mode. A number key "1" and "2" are operated and "WB-ADJ" is displayed. Check that the color balance is "HIGH". Select "G-CUTOFF" item, using the number-key "3" or "4", and set to "80", using the volume-key "+" or "-". Also, "B-CUTOFF" and "R-CUTOFF" set to "80". Set "G-DRIVE" at "E0". Touch the signal receiver of color analyzer to the highlight window's center, and adjust B drive and R drive so x, y become the "Color balance Cool" in the below table. All RGB drive increase so that the maximum drive value of RGB may become "FC". ("ALL-DRIVE" set to "FC".) Set color balance to "NORMAL" using "7" key. Fix G cutoff , B cutoff and R cutoff at "80". Fix G drive at "E0". Adjust B drive and R drive so the highlight window's x, y become the "Color balance "Normal" in the below table. All RGB drive increase so that the maximum drive value of RGB may become "FC". ("ALL-DRIVE" set to "FC".) Set color balance to "LOW". Fix G cutoff, B cutoff and R cutoff to "80". Fix G drive to "E0". Adjust B drive and R drive so the highlight window's x, y become the "Color balance Warm" shown in the below table. All RGB drive increase so that the maximum drive value of RGB may become "FC". ("ALL-DRIVE" set to "FC".) 		<p>Picture menu: Dynamic ASPECT:16:9</p> <ul style="list-style-type: none"> Highlight section Signal amplitude 75%  <p>PAL White Balance Pattern</p> <p>High light 75% Low light 15%</p> <p>* The Color balance COOL differs from Japanese model values.</p>												
<p>Table 1. Color temp target value</p> <table border="1"> <thead> <tr> <th>COLOR TEMP</th> <th>x</th> <th>y</th> </tr> </thead> <tbody> <tr> <td>HIGH</td> <td>0.276</td> <td>0.276</td> </tr> <tr> <td>NORMAL</td> <td>0.288</td> <td>0.296</td> </tr> <tr> <td>LOW</td> <td>0.313</td> <td>0.329</td> </tr> </tbody> </table>			COLOR TEMP	x	y	HIGH	0.276	0.276	NORMAL	0.288	0.296	LOW	0.313	0.329
COLOR TEMP	x	y												
HIGH	0.276	0.276												
NORMAL	0.288	0.296												
LOW	0.313	0.329												

13 Hotel mode

1. Purpose

Restrict a function for hotels.

2. Access command to the Hotel mode setup menu


In order to display the Hotel mode setup menu, please enter the following command **(within 2 second)**.

[TV] : Vol. "Down" + [REMOTE] : TV/AV (3 times)

Then, the Hotel mode setup menu is displayed.

Hotel Mode	
Hotel Mode	Off
Initial INPUT	Off
Initial POS	Off
Initial VOL Level	Off
Maximum Vol Level	Off
Button Lock	Off
Remote Lock	Off

Select



EXIT
Change
RETURN

3. To exit the Hotel mode setup menu

Disconnect AC power cord from wall outlet.

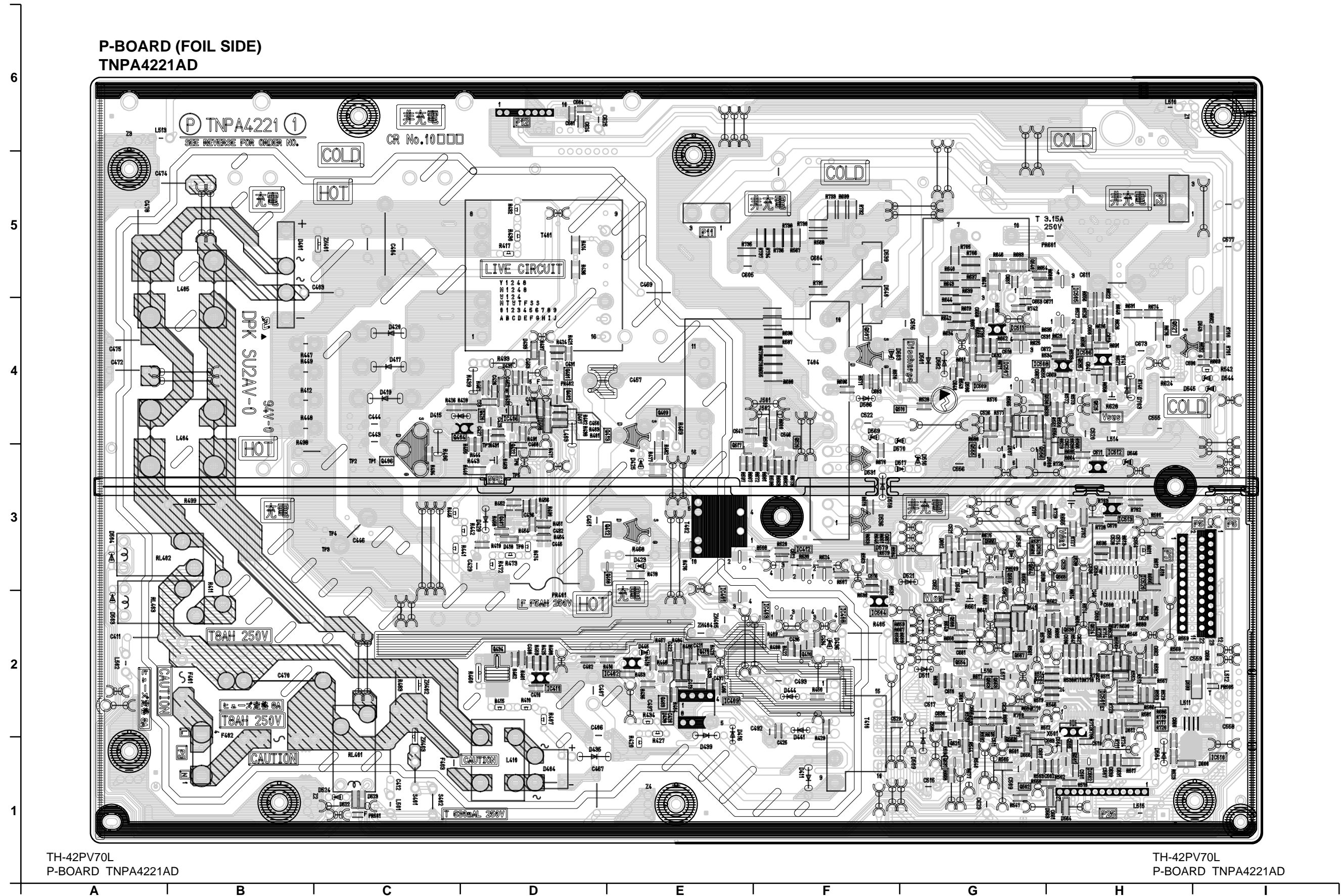
4. Explain the Hotel mode setup menu

item	Function
Hotel Mode	Select hotel mode ON/OFF
Initial INPUT	Select input signal modes. Set the input, when each time power is switched on. Selection : Off/TV/AV1/AV2/AV3/AV4/COMPONENT/PC/HD MI1/HDMI2 <ul style="list-style-type: none"> Off: give priority to a last memory. PC: selectable with VGA option
Initial POS	Select programme number. Selection : Off/0 to 99 <ul style="list-style-type: none"> Off: give priority to a last memory
Initial VOL level	Adjust the volume when each time power is switched on. Selection/Range : Off/0 to 63 <ul style="list-style-type: none"> Off: give priority to a last memory
Maximum VOL level	Adjust maximum volume. Range : 0 to 63
Button lock	Select local key conditions. Selection : Off/SETUP/MENU/All <ul style="list-style-type: none"> Off: altogether valid SETUP: only F-key is invalid (Tuning guide(menu) can not be selected.) MENU: only F-key is invalid (only Volume/Mute can be selected.) ALL: altogether invalid.
Remote lock	Select remote control key conditions. Selection : Off/SETUP/MENU <ul style="list-style-type: none"> Off: altogether valid SETUP: only Setup menu is invalid MENU: Picture/Sound/Setup menu are invalid

14 Conductor Views

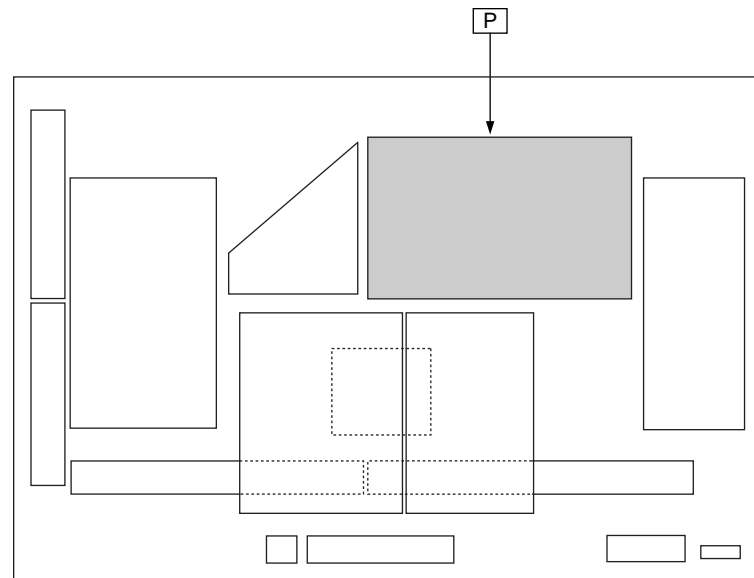
14.1. P-Board

P-BOARD (FOIL SIDE)
TNPA4221AD



TH-42PV70L
P-BOARD TNPA4221AD

TH-42PV70L
P-BOARD TNPA4221AD



Parts Location

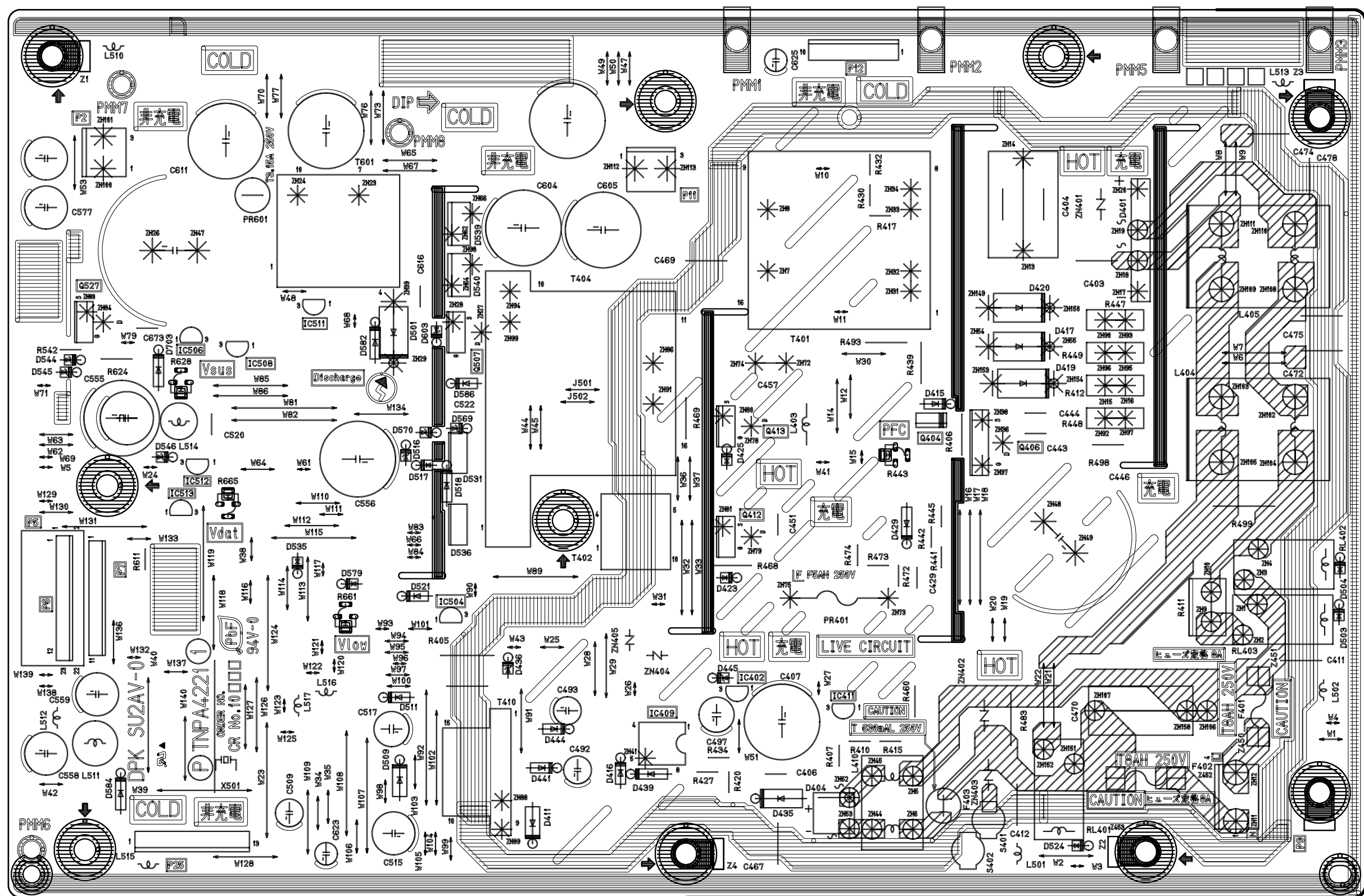
P-BOARD (FOIL SIDE)					
IC		TRANSISTOR		VOLUME	
IC401	E-2	Q401	D-4	Q535	H-4
IC402	E-2	Q402	D-4	Q537	G-1
IC403	F-2	Q403	E-2	Q538	H-2
IC406	D-4	Q404	D-4	Q540	G-5
IC408	F-2	Q406	C-3	Q541	G-2
IC409	E-2	Q407	D-3	Q553	G-2
IC411	D-2	Q408	E-3	Q554	G-2
IC412	F-3	Q409	E-4	Q555	G-3
IC501	H-2	Q410	F-2	Q556	G-3
IC502	H-1	Q411	E-2	Q563	G-2
IC504	F-2	Q412	E-3	Q564	G-3
IC505	H-5	Q413	E-4	Q565	H-3
IC506	H-4	Q420	D-4	Q566	G-3
IC507	G-4	Q422	D-3	Q567	G-2
IC508	H-4	Q434	D-2	Q569	G-2
IC509	G-4	Q501	H-1	VOLUME	
IC510	I-1	Q502	G-1	R443	C-3
IC511	G-4	Q507	F-4	R661	G-2
IC512	H-3	Q508	G-2	R665	H-3
IC513	H-3	Q509	G-3		
IC520	H-3	Q510	G-4		
		Q517	E-4		
		Q520	F-4		
		Q521	G-1		
		Q524	H-2		
		Q525	H-4		
		Q527	H-4		
		Q530	H-4		

Parts Location

P-BOARD (COMPONENT SIDE)					
IC		TRANSISTOR		VOLUME	
IC402	E-2	Q404	F-3	R443	F-3
IC409	E-2	Q406	G-3	R661	C-2
IC411	F-2	Q412	E-3	R665	B-3
IC504	D-2	Q413	E-4		
IC506	B-4	Q507	D-4		
IC508	B-4	Q527	A-4		
IC511	C-4				
IC512	B-3				
IC513	B-3				

P-BOARD (COMPONENT SIDE)
TNPA4221AD

6
5
4
3
2
1



TH-42PV70L
P-BOARD TNPA4221AD

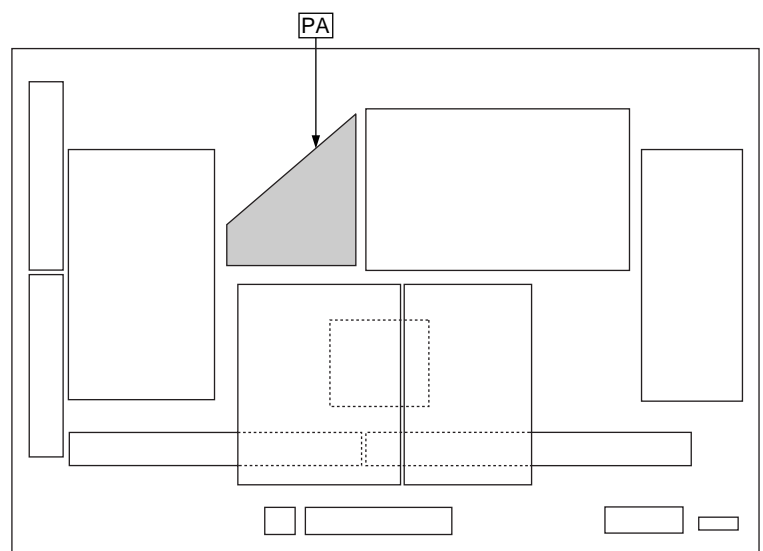
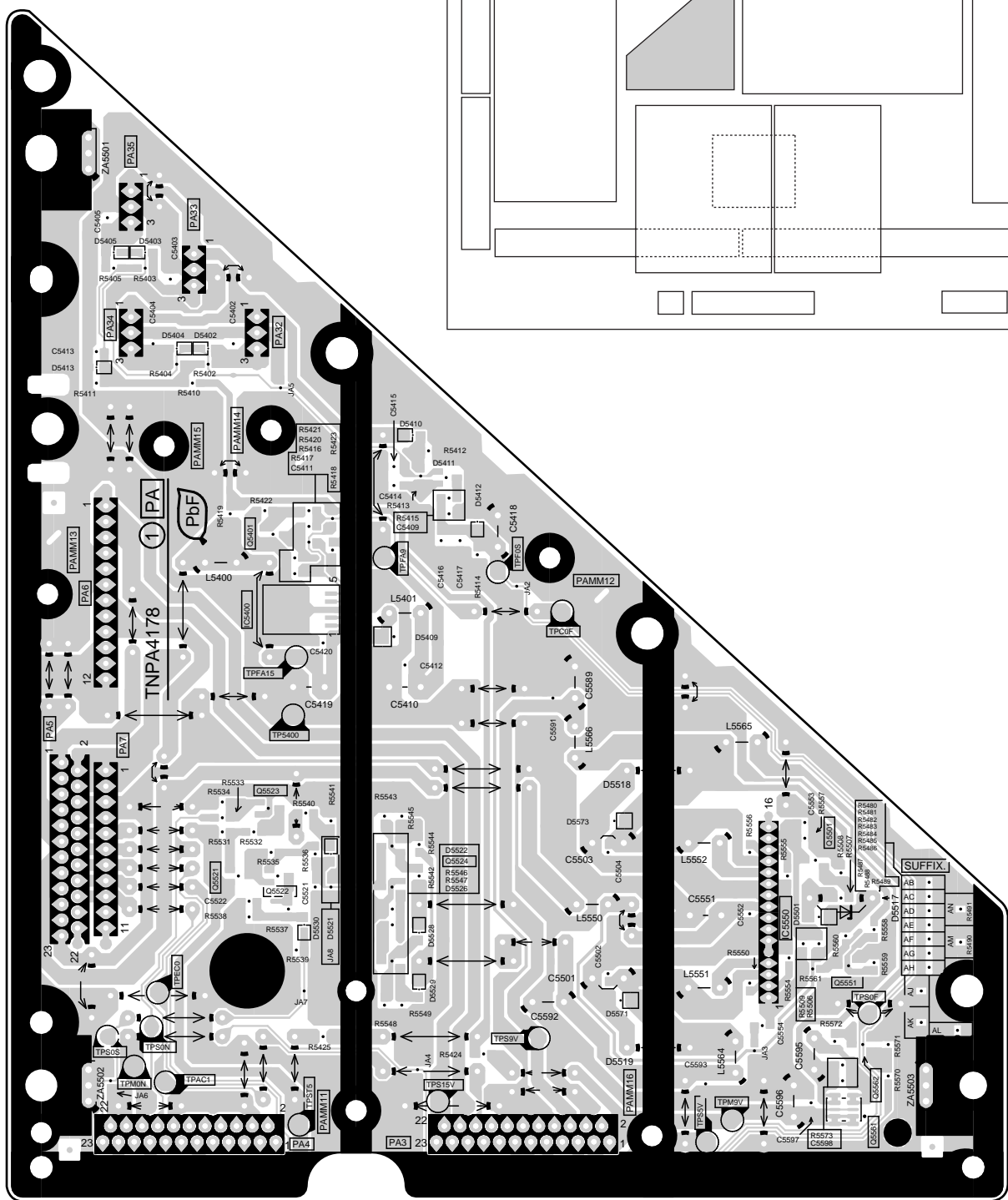
TH-42PV70L
P-BOARD TNPA4221AD

A B C D E F G H I

14.2. PA-Board

6
5
4
3
2
1

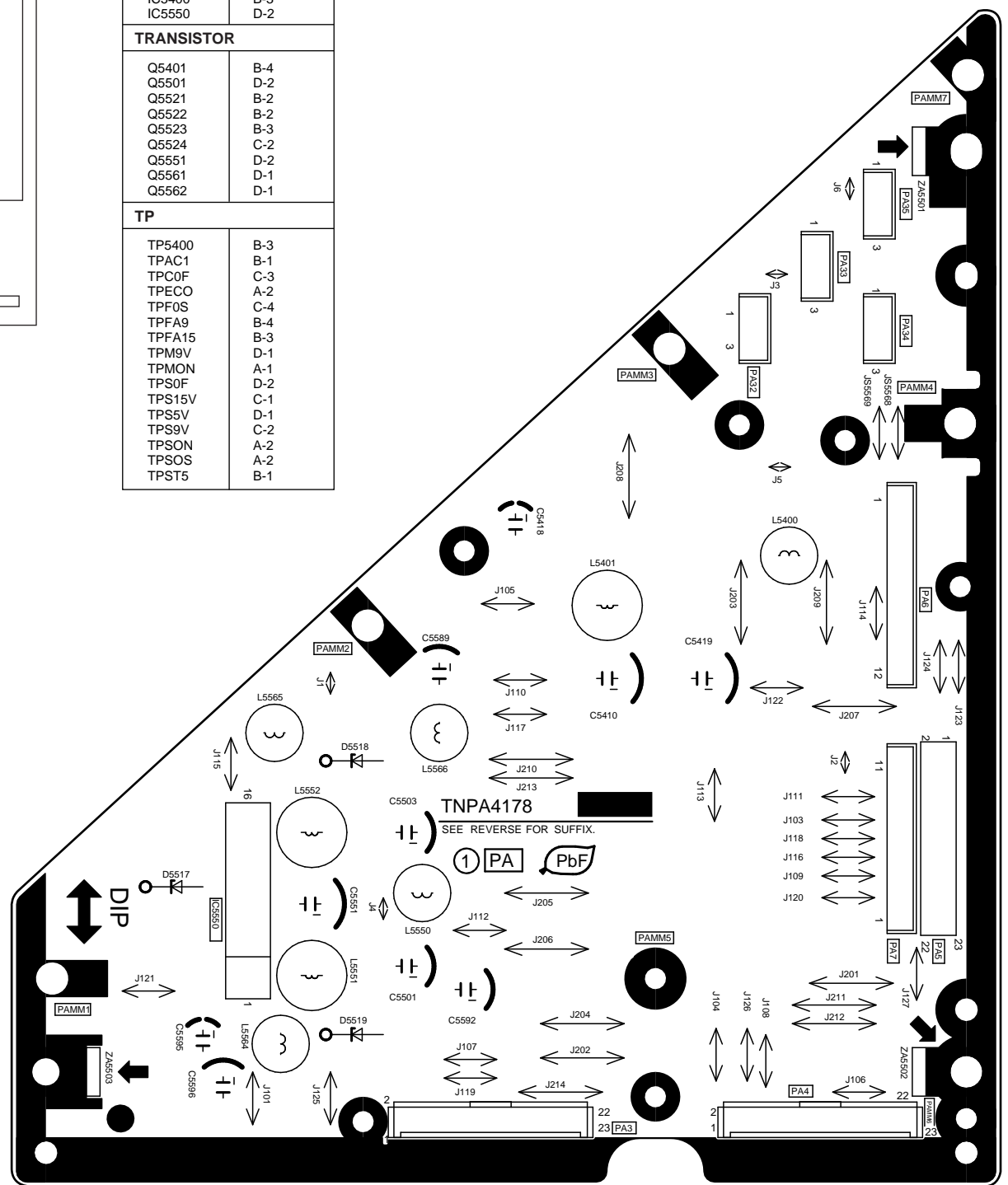
PA-BOARD (FOIL SIDE)
TNPA4178AE



Parts Location

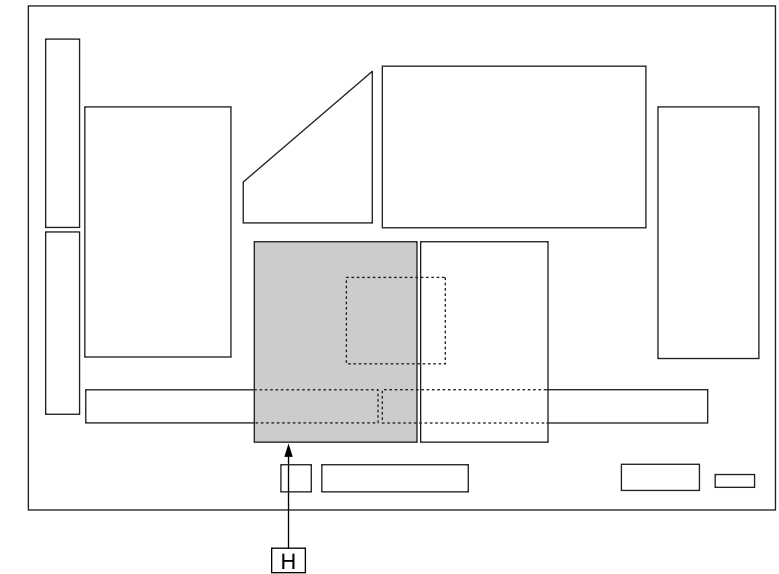
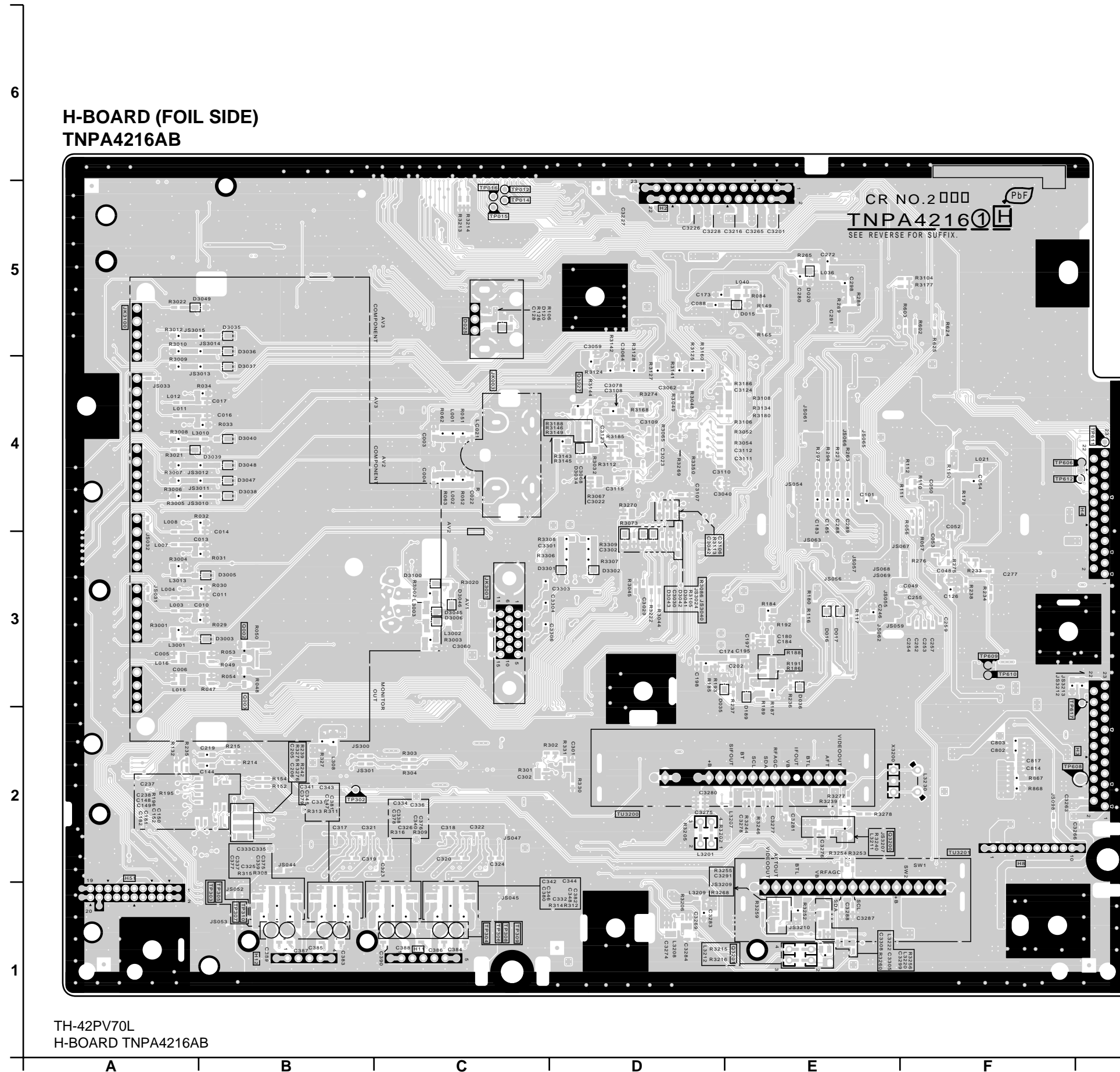
PA-BOARD	
IC	
IC5400	B-3
IC5550	D-2
TRANSISTOR	
Q5401	B-4
Q5501	D-2
Q5521	B-2
Q5522	B-2
Q5523	B-3
Q5524	C-2
Q5551	D-2
Q5561	D-1
Q5562	D-1
TP	
TP5400	B-3
TPAC1	B-1
TPCOF	C-3
TPECO	A-2
TPF0S	C-4
TPFA9	B-4
TPFA15	B-3
TPM9V	D-1
TPMON	A-1
TPS0F	D-2
TPS15V	C-1
TPS5V	D-1
TPS9V	C-2
TPSON	A-2
TPSOS	A-2
TPST5	B-1

PA-BOARD (COMPONENT SIDE)
TNPA4178AE



A B C D E F G H I

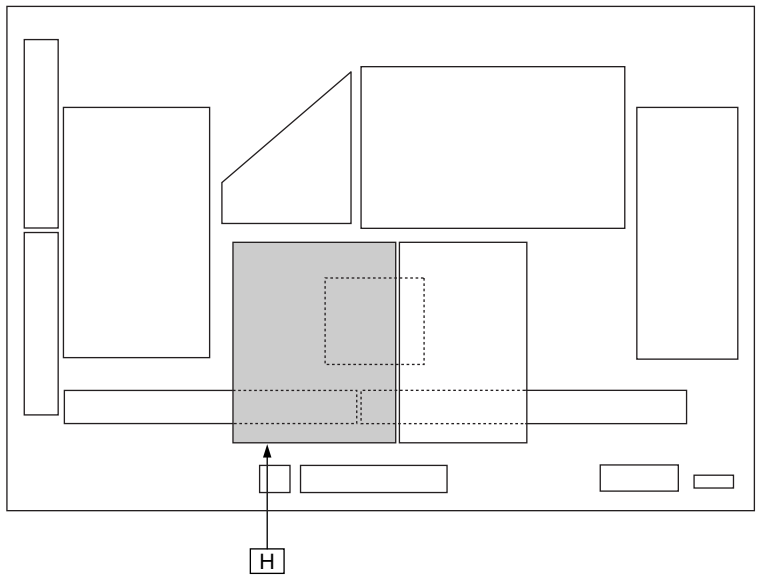
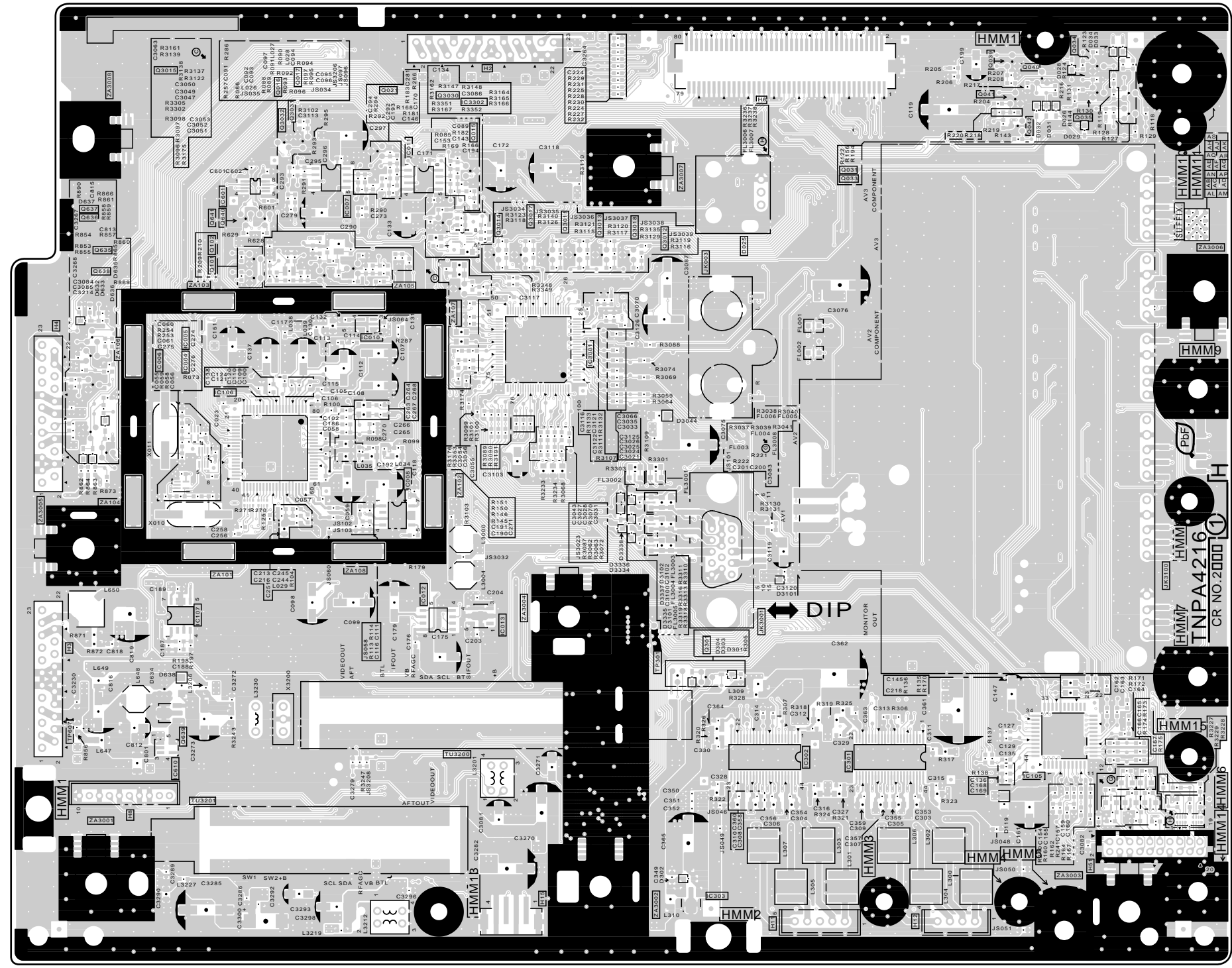
14.3. H-Board



Parts Location

H-BOARD (FOIL SIDE)			
TRANSISTOR		TP	
Q2002	B-3	TP2012	C-5
Q2003	B-3	TP2014	C-5
Q2103	C-3	TP2015	C-5
Q3027	D-4	TP2016	C-5
Q3200	F-2	TP2302	B-2
Q3201	E-1	TP2303	B-1
		TP2304	C-1
		TP2305	B-1
		TP2306	C-1
		TP2307	B-1
		TP2308	C-1
		TP2309	C-1
		TP2310	B-1
		TP2606	G-4
		TP2608	G-2
		TP2609	F-3
		TP2610	F-3
		TP2611	G-4
		TP2612	G-4
		TP2617	F-3

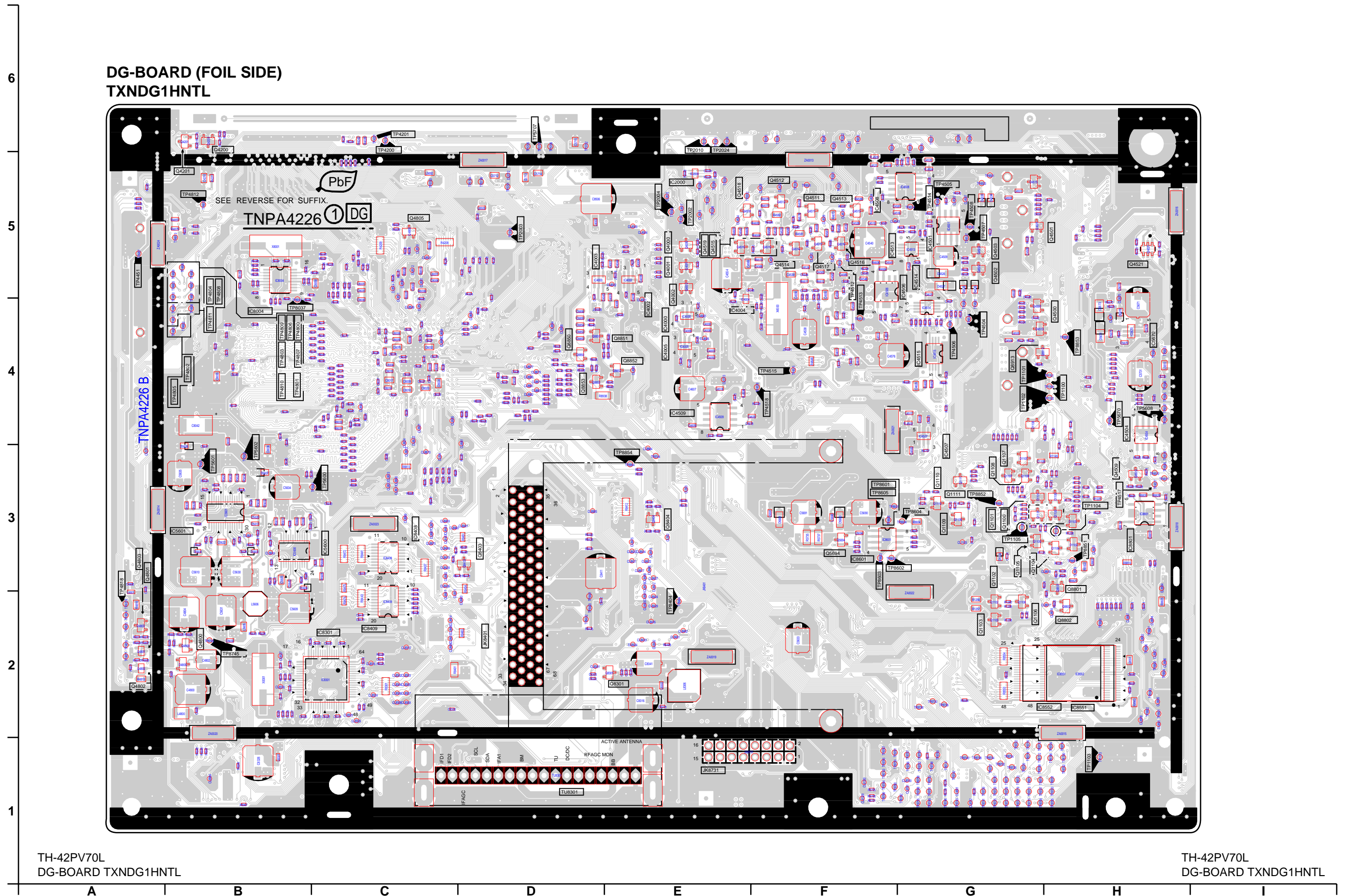
H-BOARD (COMPONENT SIDE)
TNPA4216AB



Parts Location

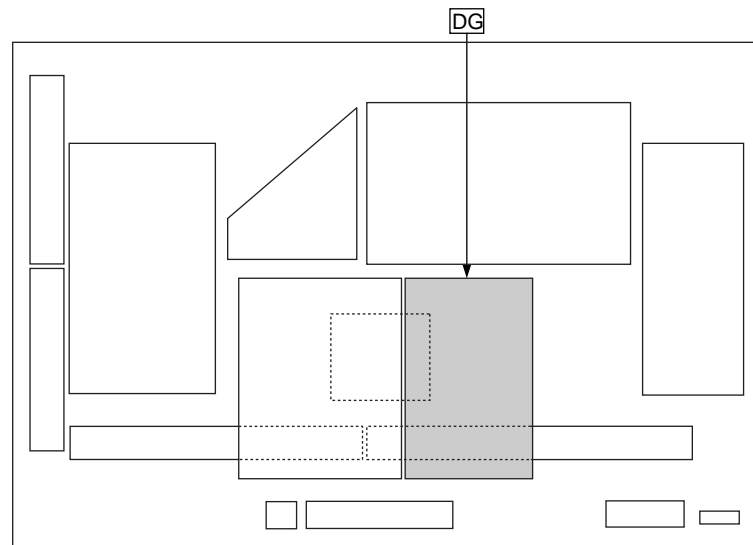
H-BOARD (COMPONENT SIDE)					
IC		TRANSISTOR		TP	
IC2002	A-5	Q2015	C-5	TP2301	D-2
IC2003	E-4	Q2016	B-5	TP2607	A-2
IC2006	A-5	Q2017	B-5		
IC2007	B-5	Q2021	C-5		
IC2008	B-3	Q2023	C-3		
IC2010	B-4	Q2024	C-3		
IC2011	C-5	Q2025	C-3		
IC2012	C-3	Q2026	C-3		
IC2013	C-3	Q2027	E-4		
IC2105	F-2	Q2028	E-4		
IC2106	B-4	Q2029	E-4		
IC2107	B-3	Q2030	E-4		
IC2301	E-2	Q2031	E-4		
IC2302	E-2	Q2033	E-4		
IC2303	D-1	Q2034	F-5		
IC2601	B-5	Q2035	F-5		
IC2610	B-2	Q2039	F-5		
IC3001	D-4	Q2040	F-5		
IC3302	C-5	Q2041	F-5		
		Q2042	F-5		
		Q2101	B-4		
		Q2102	B-4		
		Q2301	D-2		
		Q2635	A-4		
		Q2636	A-5		
		Q2637	A-5		
		Q2638	A-4		
		Q2639	B-2		
		Q2640	B-5		
		Q2641	B-5		
		Q3011	D-5		
		Q3012	D-4		
		Q3013	D-4		
		Q3014	C-5		
		Q3015	A-5		
		Q3017	C-5		
		Q3018	D-4		
		Q3030	C-5		
		Q3031	B-5		
		Q3032	B-5		

14.4. DG-Board



TH-42PV70L
DG-BOARD TXNDG1HNTL

TH-42PV70L
DG-BOARD TXNDG1HNTL



Parts Location

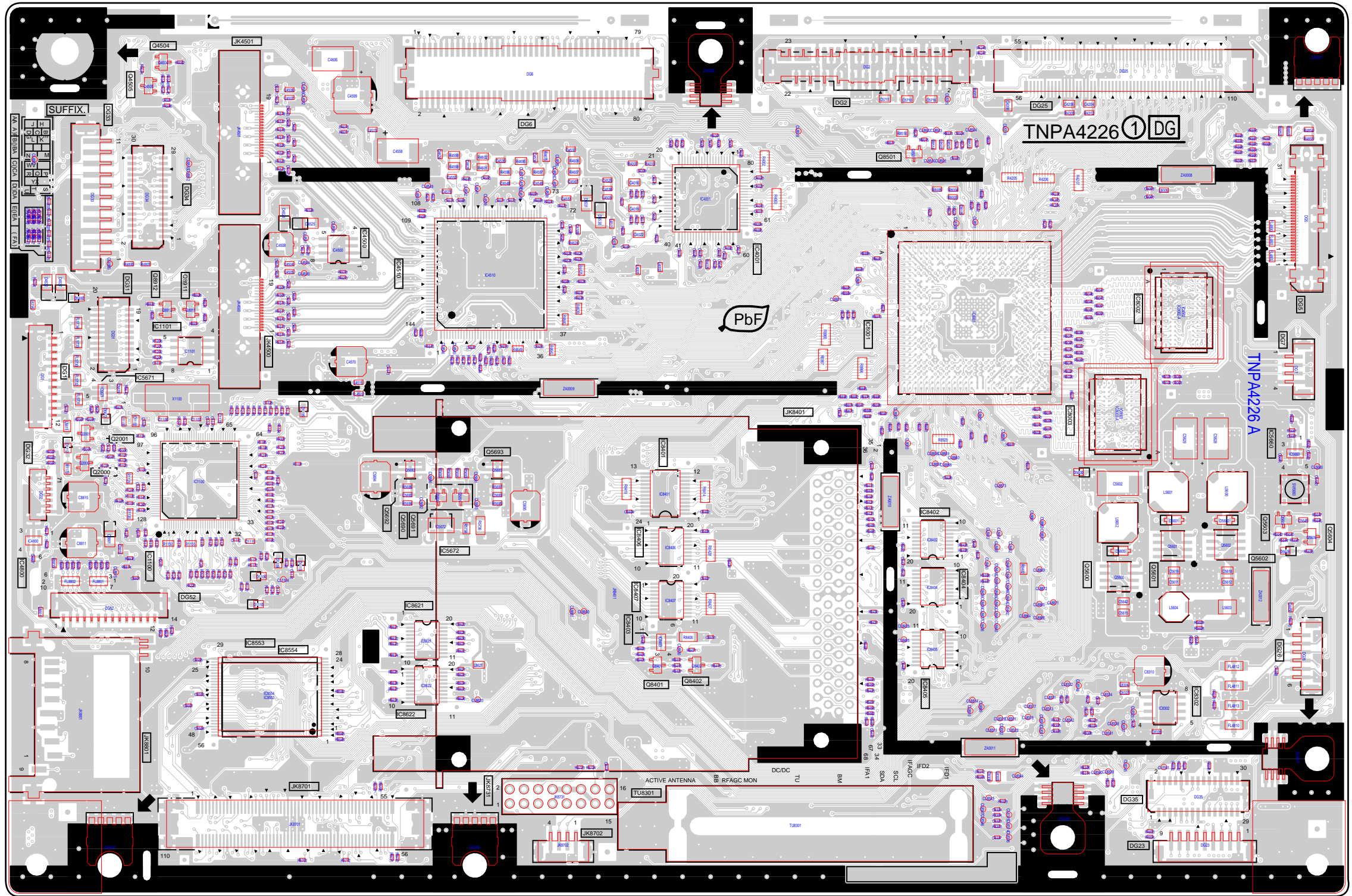
DG-BOARD (FOIL SIDE)					
IC		TRANSISTOR		TP	
IC2000	E-5	Q1100	G-3	TP1100	H-4
IC4000	E-4	Q1101	G-3	TP1101	G-4
IC4002	E-4	Q1102	G-3	TP1102	G-4
IC4003	D-5	Q1103	G-2	TP1103	H-1
IC4004	E-4	Q1104	G-3	TP1104	H-3
IC4005	E-4	Q1105	G-3	TP1105	G-3
IC4501	G-5	Q1106	G-2	TP2002	E-5
IC4504	H-4	Q1107	G-3	TP2003	D-5
IC4506	G-5	Q1108	G-3	TP2004	E-5
IC4507	G-3	Q1109	G-3	TP2010	E-6
IC4508	F-5	Q1110	G-3	TP2024	E-6
IC4509	E-4	Q1111	G-3	TP4200	C-6
IC4513	F-5	Q4000	E-5	TP4201	C-6
IC4514	G-5	Q4001	E-5	TP4451	A-5
IC4515	G-4	Q4002	E-4	TP4504	G-4
IC5600	C-3	Q4200	B-6	TP4505	G-5
IC5601	B-3	Q4201	B-5	TP4506	G-4
IC5670	H-4	Q4500	H-4	TP4507	G-5
IC8004	B-4	Q4501	H-5	TP4508	G-5
IC8301	C-2	Q4502	G-5	TP4513	F-4
IC8408	C-3	Q4503	G-5	TP4514	G-5
IC8409	C-2	Q4509	H-3	TP4515	F-4
IC8551	H-2	Q4511	F-5	TP4517	H-3
IC8552	G-2	Q4512	F-5	TP4518	F-4
IC8601	F-3	Q4513	F-5	TP4800	B-4
IC8801	H-3	Q4514	F-5	TP4801	B-4
		Q4515	E-5	TP4801	B-4
		Q4516	F-5	TP4802	B-4
		Q4517	F-5	TP4803	B-4
		Q4518	E-5	TP4804	B-5
		Q4519	E-5	TP4805	B-4
		Q4521	H-5	TP4806	B-4
		Q4800	B-2	TP4807	B-4
		Q4801	A-3	TP4808	B-5
		Q4802	A-2	TP4809	B-4
		Q4803	A-3	TP4810	B-4
		Q4805	C-5	TP4811	B-4
		Q5694	F-3	TP4812	B-5
		Q8301	E-2	TP4818	A-2
		Q8403	D-3	TP5600	C-3
		Q8404	E-3	TP5601	B-3
		Q8801	H-3	TP5602	B-3
		Q8802	H-2	TP5670	H-4
		Q8850	D-4	TP5707	D-6
		Q8851	E-4	TP5808	H-4
		Q8852	E-4	TP8037	B-4
		Q8853	D-4	TP8404	E-2
		Q8913	G-4	TP8601	F-3
				TP8602	F-3
				TP8603	F-3
				TP8604	G-3
				TP8605	F-3
				TP8745	B-2
				TP8852	G-3
				TP8853	H-4
				TP8854	E-3

Parts Location

DG-BOARD (COMPONENT SIDE)			
IC		TRANSISTOR	
IC1100	B-3	Q2000	B-3
IC1101	B-4	Q2001	B-3
IC4001	E-4	Q4504	B-6
IC4500	C-4	Q4505	B-5
IC4510	C-4	Q5600	G-3
IC4800	A-3	Q5601	H-3
IC5660	H-3	Q5602	H-3
IC5671	B-4	Q5603	H-3
IC5672	D-3	Q5604	H-3
IC8001	F-4	Q5690	C-3
IC8002	G-4	Q5691	C-3
IC8003	G-3	Q5692	C-3
IC8302	H-2	Q5693	D-3
IC8401	E-3	Q8401	E-2
IC8402	F-3	Q8402	E-2
IC8403	E-2	Q8501	F-5
IC8404	F-3	Q8911	B-4
IC8405	F-2	Q8912	B-4
IC8406	E-3		
IC8407	E-3		
IC8553	B-2		
IC8554	C-2		
IC8621	C-2		
IC8622	C-2		

DG-BOARD (COMPONENT SIDE)
TXNDG1HNTL

6
5
4
3
2
1

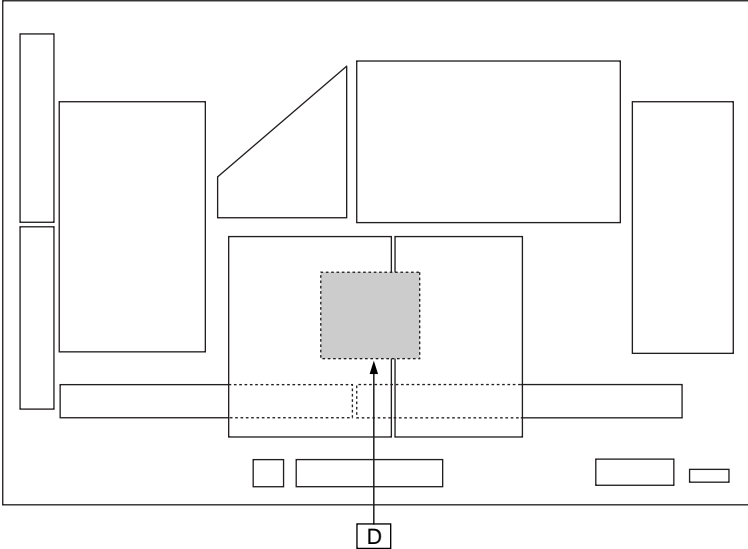
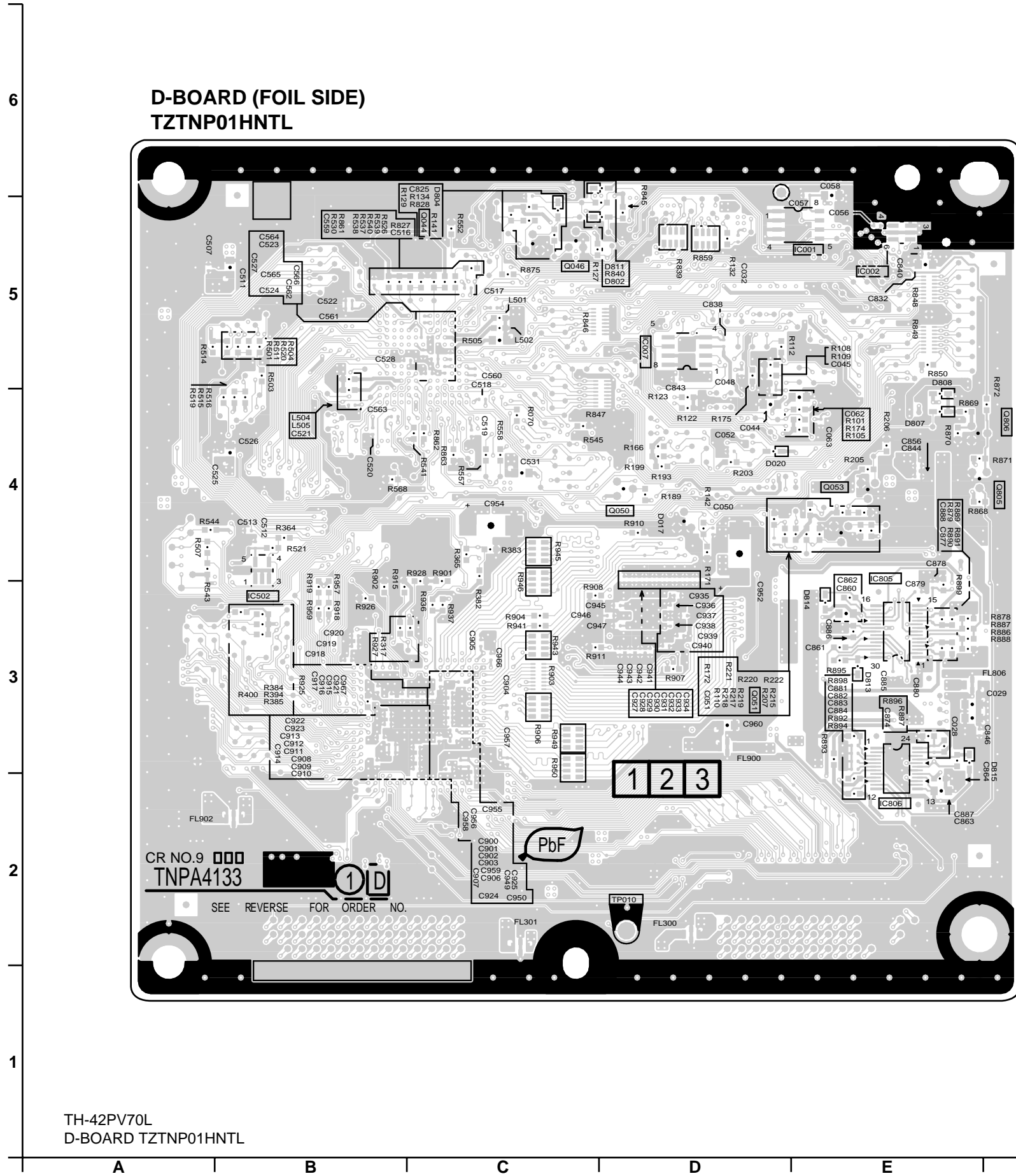


TH-42PV70L
DG-BOARD TXNDG1HNTL

TH-42PV70L
DG-BOARD TXNDG1HNTL

A B C D E F G H I

14.5. D-Board

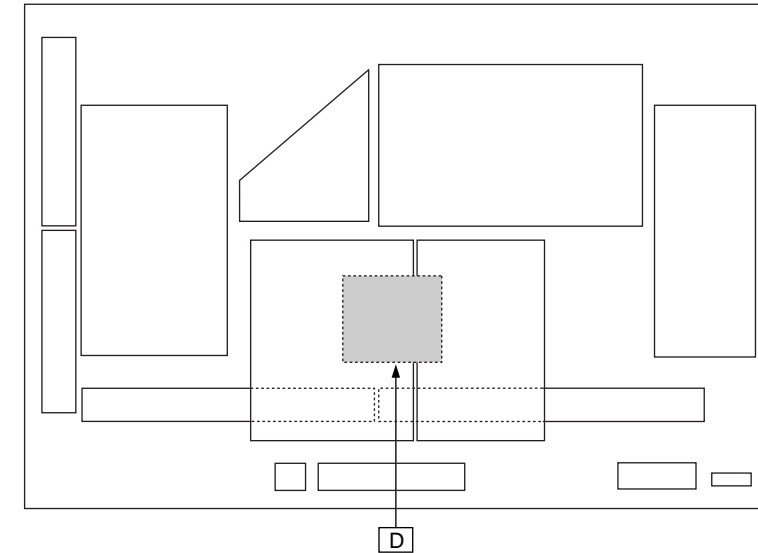
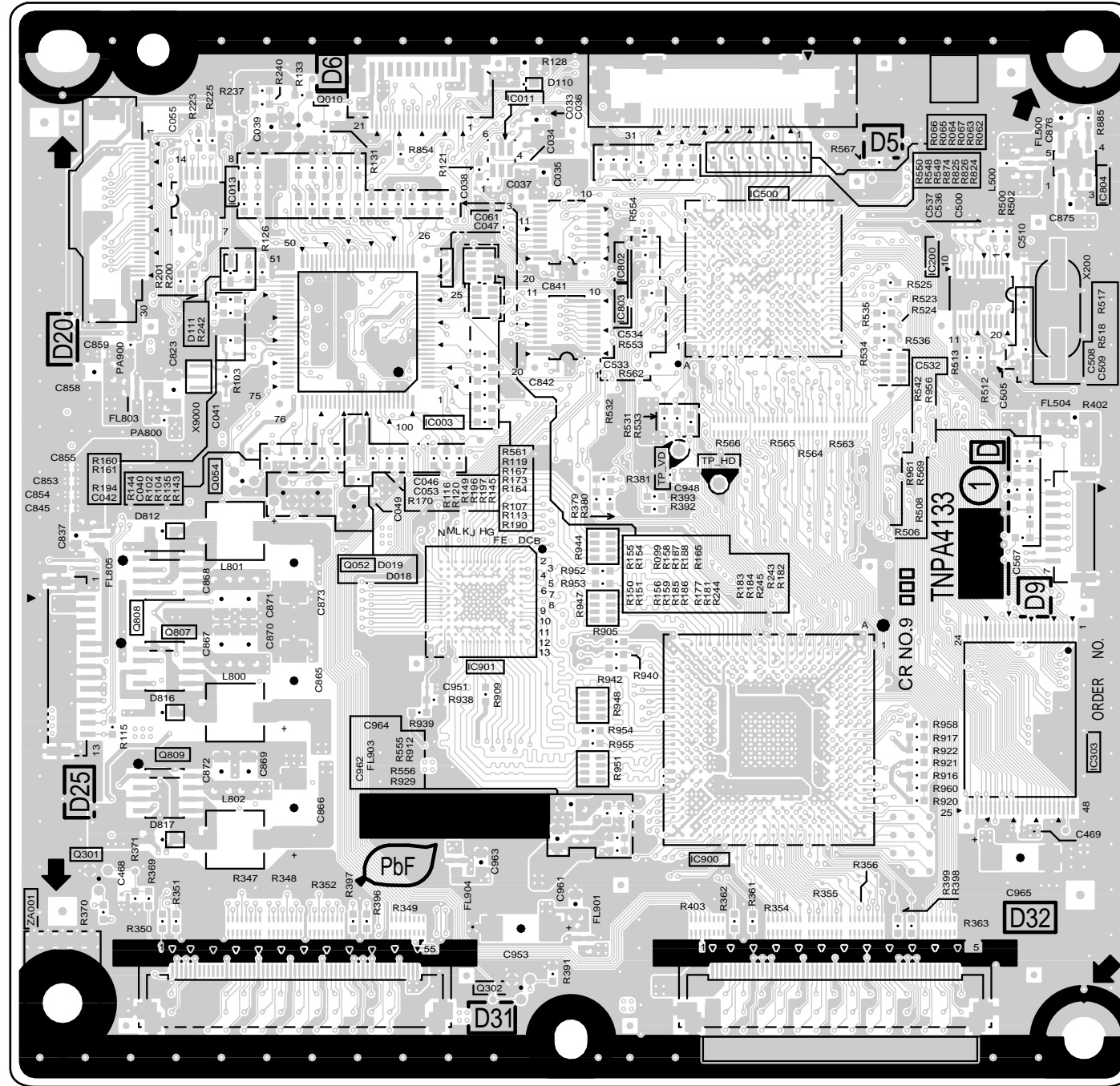


Parts Location

D-BOARD (FOIL SIDE)			
IC		TRANSISTOR	
IC9001	E-5	Q9044	C-5
IC9002	E-5	Q9046	C-5
IC9007	D-5	Q9050	D-4
IC9502	B-3	Q9051	D-3
IC9805	E-3	Q9053	E-4
IC9806	E-2	Q9805	F-4
		Q9806	F-4
TEST POINT			
TP010	C-2		

6
5
4
3
2
1

D-BOARD (COMPONENT SIDE)
TZTNP01HNTL



Parts Location

D-BOARD (COMPONENT SIDE)			
IC		TRANSISTOR	
IC9003	C-4	Q9010	B-5
IC9011	C-5	Q9052	C-3
IC9013	B-5	Q9054	B-4
IC9200	E-5	Q9301	A-2
IC9303	E-3	Q9302	C-2
IC9500	D-5	Q9807	B-3
IC9802	D-5	Q9808	B-3
IC9803	D-5	Q9809	B-3
IC9804	E-5	TP	
IC9900	D-3		
IC9901	C-3	TP-VD	D-4

TH-42PV70L
D-BOARD TZTNP01HNTL

TH-42PV70L
D-BOARD TZTNP01HNTL

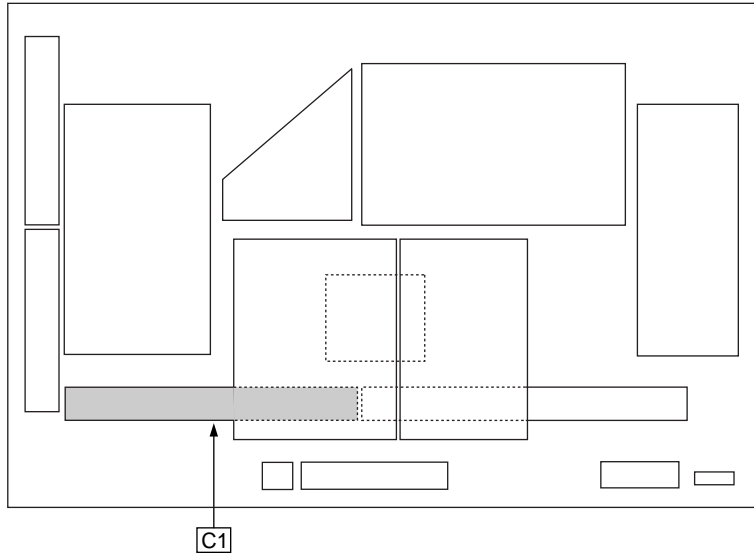
A B C D E F G H I

14.6. C1-Board

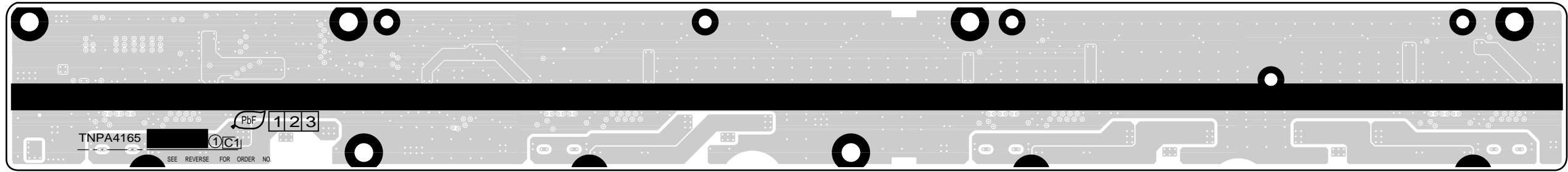
6
5
4
3
2
1

Parts Location

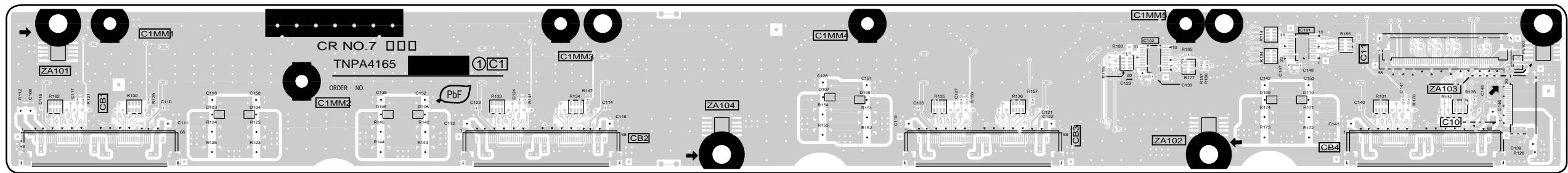
C1-BOARD	
IC	
IC7101	H-2
IC7102	G-2



**C1-BOARD (FOIL SIDE)
TNPA4165**



**C1-BOARD (COMPONENT SIDE)
TNPA4165**

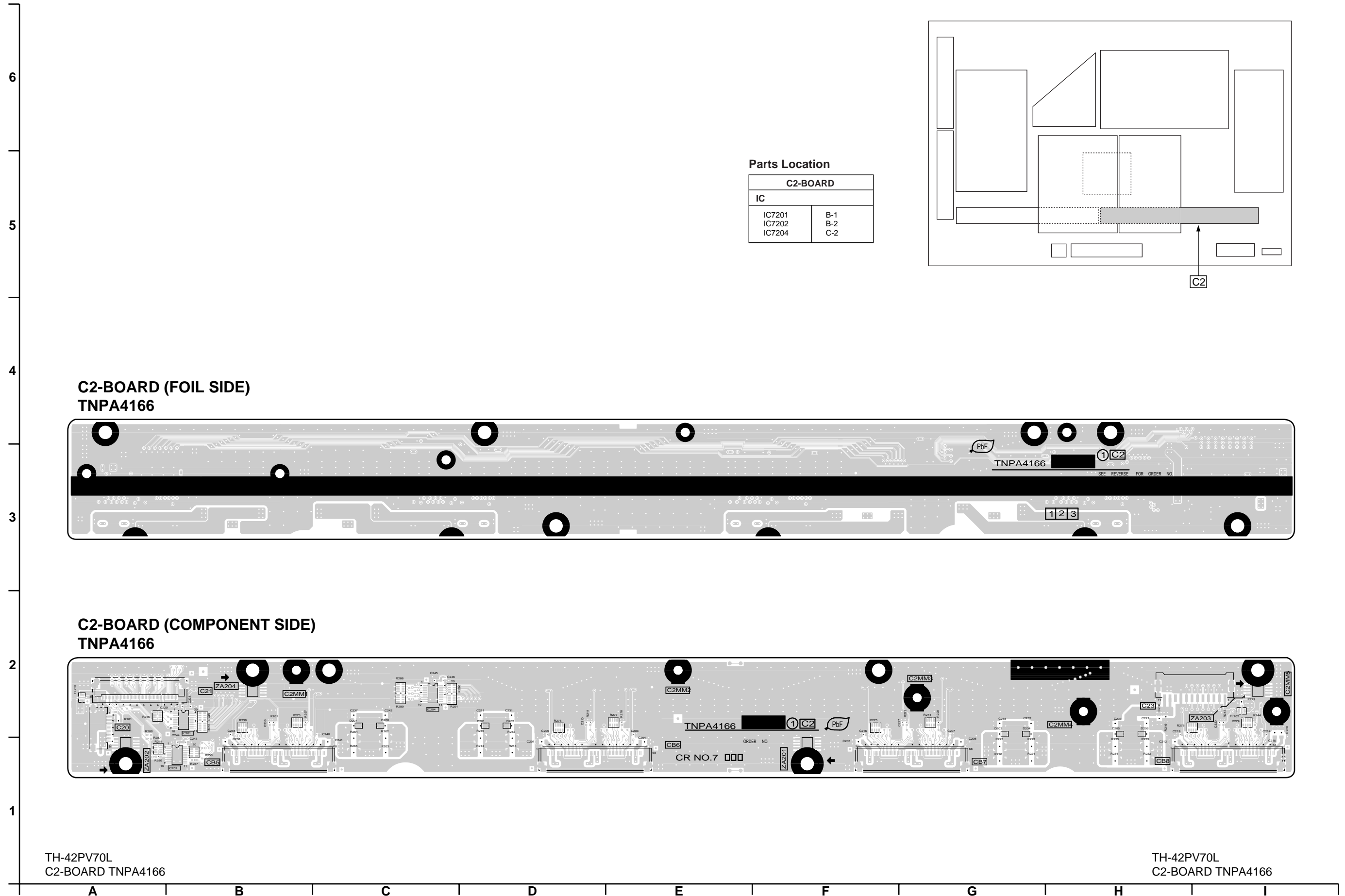


TH-42PV70L
C1-BOARD TNPA4165

TH-42PV70L
C1-BOARD TNPA4165

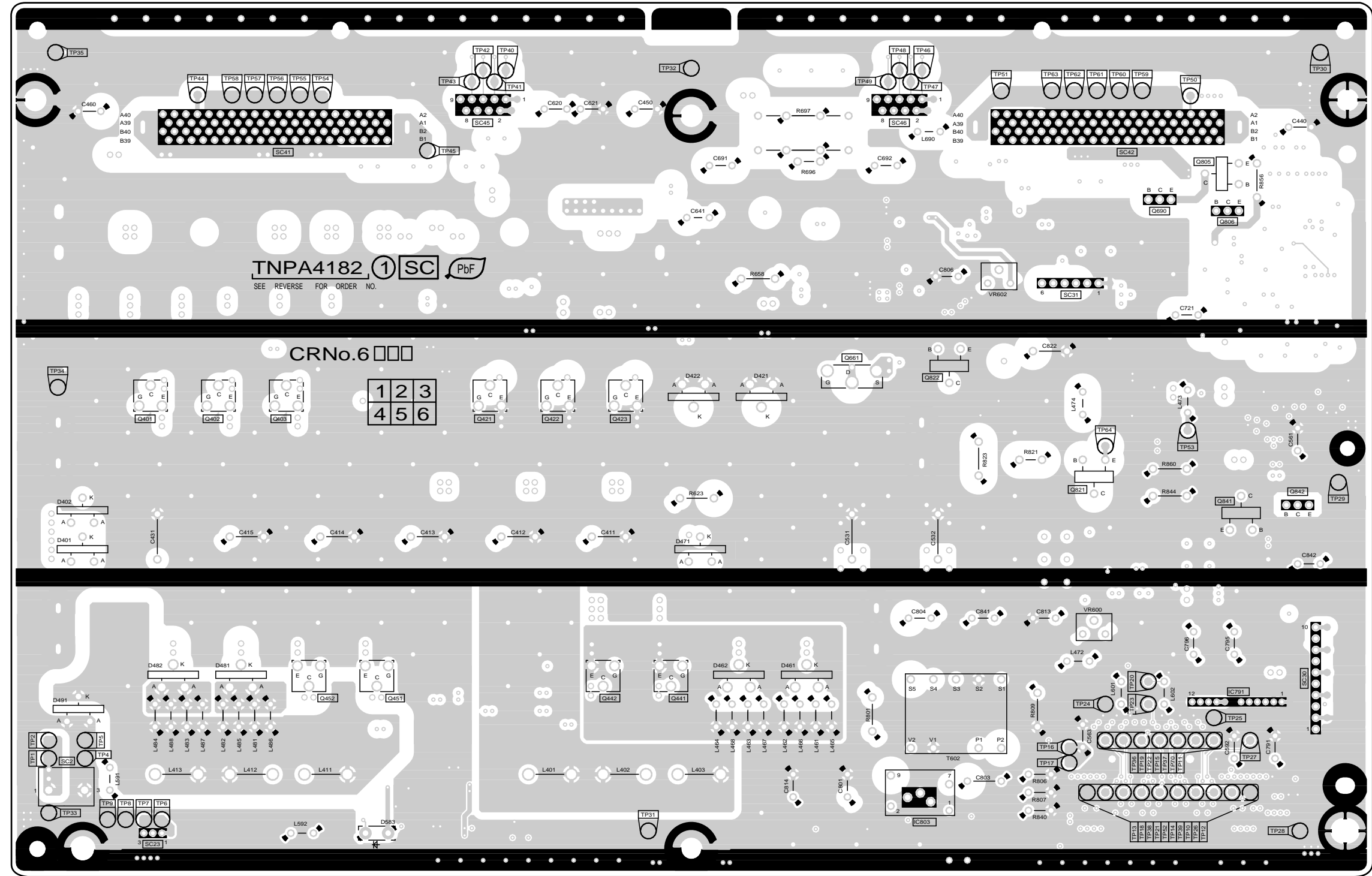
A | B | C | D | E | F | G | H | I

14.7. C2-Board



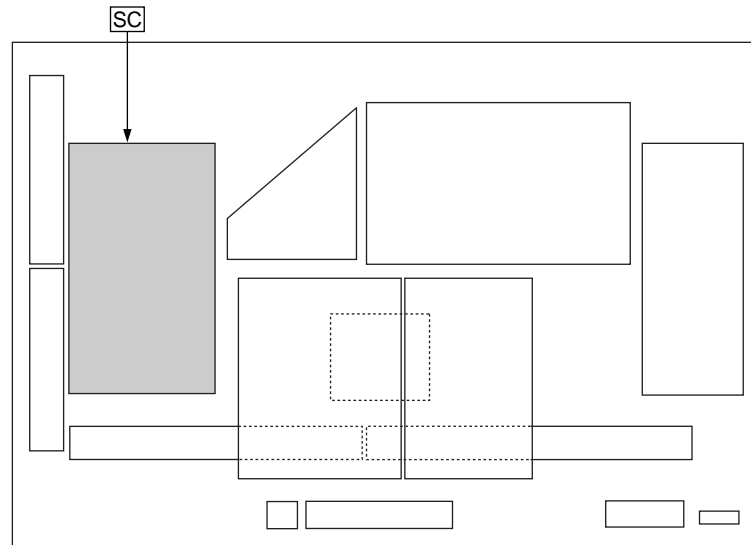
14.8. SC-Board

SC-BOARD (FOIL SIDE) TNPA4182



TH-42PV70L
SC-BOARD TNPA4182

TH-42PV70L
SC-BOARD TNPA4182



Parts Location

SC-BOARD (FOIL SIDE)					
IC		TP		TP41	D-5
IC6791	H-2	TP1	A-2	TP42	D-5
IC6803	F-1	TP2	A-2	TP43	D-5
TRANSISTOR		TP4	B-2	TP44	B-5
Q6401	B-4	TP5	B-2	TP45	D-5
Q6402	B-4	TP6	B-1	TP46	F-5
Q6403	C-4	TP7	B-1	TP47	F-5
Q6421	D-4	TP8	B-1	TP48	F-5
Q6422	D-4	TP9	B-1	TP49	F-5
Q6423	E-4	TP10	H-1	TP50	H-5
Q6441	E-2	TP11	H-2	TP51	G-5
Q6442	E-2	TP12	H-1	TP52	H-1
Q6451	C-2	TP13	G-1	TP53	H-3
Q6452	C-2	TP14	H-1	TP54	C-5
Q6661	F-4	TP15	H-2	TP55	C-5
Q6690	H-5	TP16	G-2	TP56	C-5
Q6805	H-5	TP17	G-2	TP57	C-5
Q6806	H-5	TP18	G-1	TP58	B-5
Q6821	G-3	TP19	G-2	TP59	G-5
Q6822	F-4	TP20	G-2	TP60	G-5
Q6841	H-3	TP21	G-1	TP61	G-5
Q6842	H-3	TP22	G-2	TP62	G-5
		TP23	G-2	TP63	G-5
		TP24	G-2	TP64	G-3
		TP25	H-2	TP70	H-2
		TP26	H-1	VOLUME	
		TP27	H-2	VR6600	G-2
		TP28	H-1	VR6602	G-4
		TP29	H-3		
		TP30	H-5		
		TP31	E-1		
		TP32	E-5		
		TP33	A-1		
		TP34	A-4		
		TP35	A-5		
		TP36	G-2		
		TP37	H-2		
		TP38	G-1		
		TP39	H-1		
		TP40	D-5		

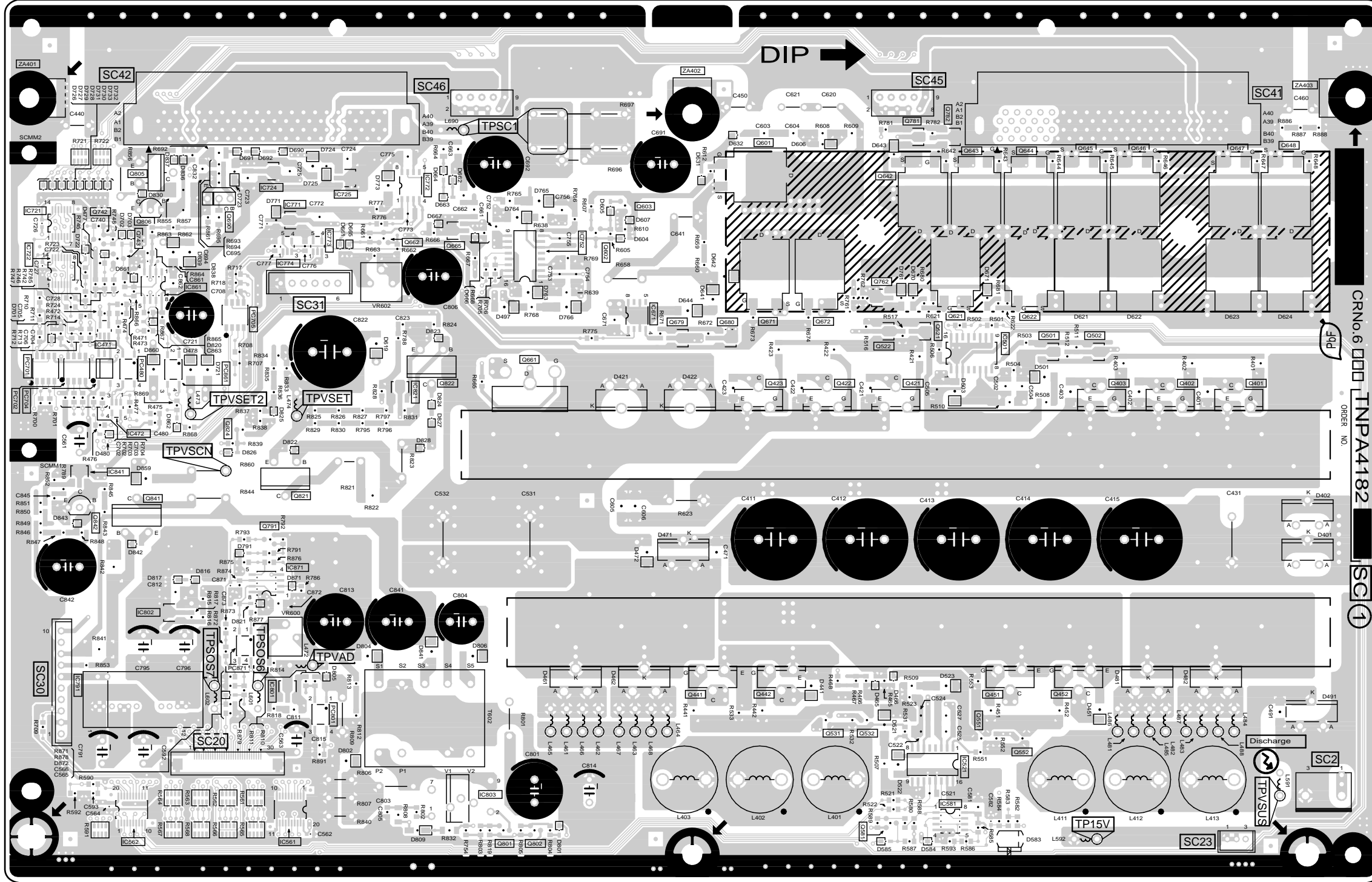
TH-42PV70L
SC-BOARD PARTS LOCATION

Parts Location

SC-BOARD (COMPONENT SIDE)							
IC		PHOTO COUPLER		Q6642	F-5	TP	
IC6471	B-4	PC6480	B-4	Q6643	F-5	TP15V	G-1
IC6472	B-3	PC6701	A-4	Q6644	G-5	TPSC1	D-5
IC6501	G-4	PC6702	A-4	Q6645	G-5	TPSOS6	C-2
IC6521	F-2	PC6704	A-4	Q6646	G-5	TPSOS7	B-2
IC6561	C-1	PC6705	B-4	Q6647	H-5	TPVDA	C-2
IC6562	B-1	PC6801	C-2	Q6648	H-5	TPVSCN	B-3
IC6581	F-1	PC6861	B-4	Q6661	D-4	TPVSET	C-4
IC6671	E-4	PC6871	B-2	Q6662	C-4	TPVSET2	B-4
IC6721	A-5			Q6665	D-4	TPVSUS	H-1
IC6722	A-4	TRANSISTOR		Q6671	E-5		
IC6724	C-5	Q6401	H-4	Q6672	F-4	VOLUME	
IC6725	C-5	Q6402	H-4	Q6679	E-5	VR6600	C-2
IC6752	D-4	Q6403	G-4	Q6680	E-5	VR6602	C-4
IC6771	C-5	Q6421	F-4	Q6690	B-5		
IC6772	C-5	Q6422	F-4	Q6742	B-4		
IC6773	C-4	Q6423	E-4	Q6743	B-4		
IC6774	C-4	Q6441	E-2	Q6762	F-4		
IC6791	B-2	Q6442	E-2	Q6781	F-5		
IC6801	C-2	Q6451	G-1	Q6782	F-5		
IC6802	B-2	Q6452	G-1	Q6791	C-3		
IC6803	D-1	Q6501	G-4	Q6801	D-1		
IC6821	C-4	Q6502	G-4	Q6802	D-1		
IC6841	B-3	Q6521	F-4	Q6805	B-5		
IC6861	B-4	Q6522	F-4	Q6806	B-5		
IC6871	C-3	Q6531	F-2	Q6821	C-3		
		Q6532	F-2	Q6822	D-4		
		Q6551	G-1	Q6824	B-3		
		Q6552	G-1	Q6841	B-3		
		Q6581	F-1	Q6842	B-3		
		Q6601	E-6				
		Q6602	D-4				
		Q6603	E-6				
		Q6621	F-4				
		Q6622	G-4				

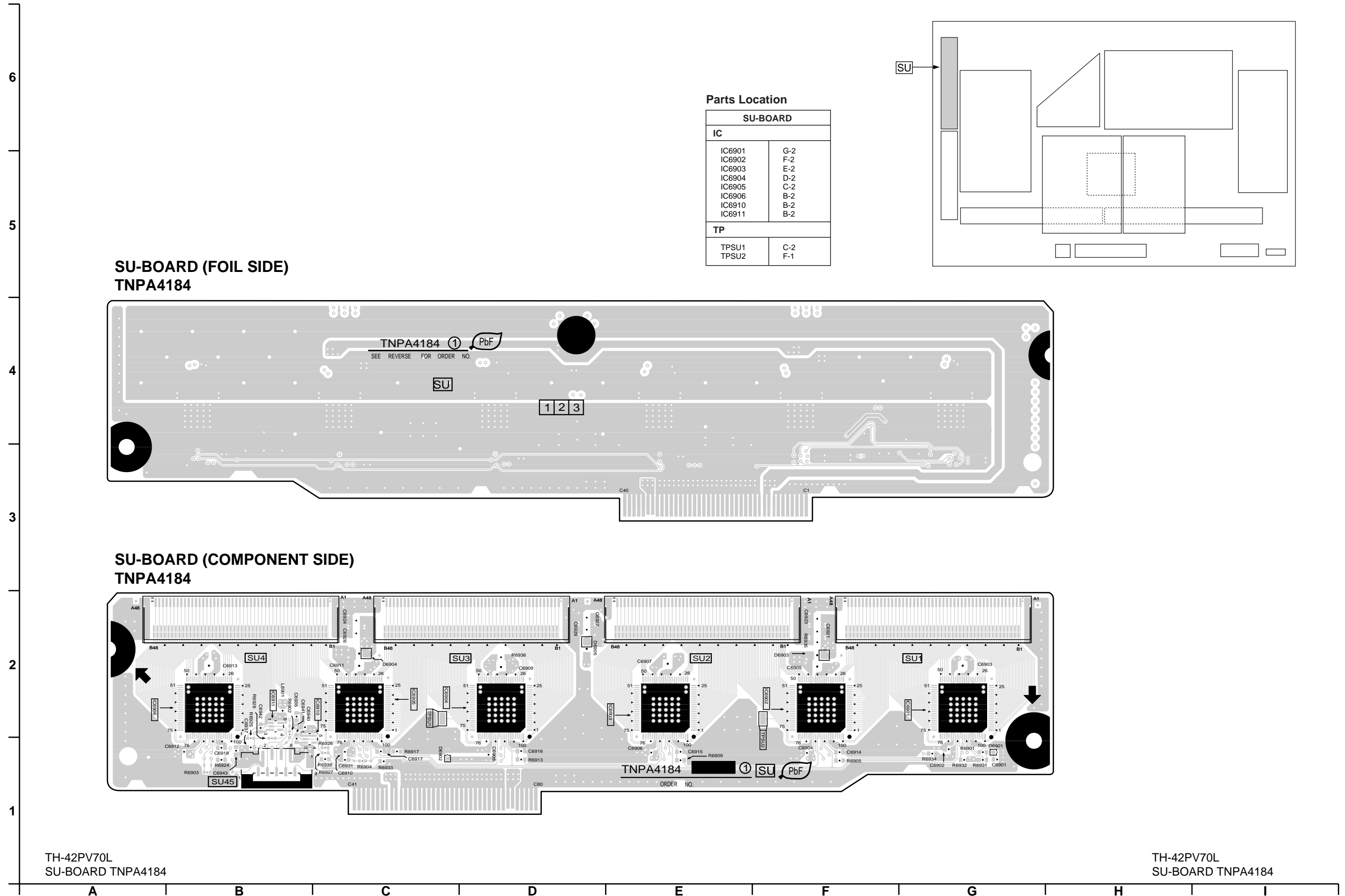
TH-42PV70L
SC-BOARD PARTS LOCATION

SC-BBOARD (COMPONENT SIDE) TNPA4182



CRNo. 6 □□□ TNPA4182
 ORDER NO. SC(1)

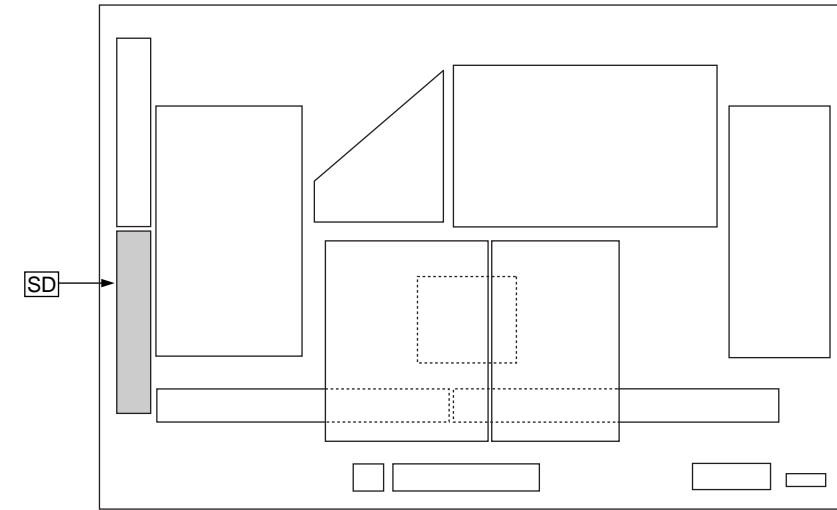
14.9. SU-Board



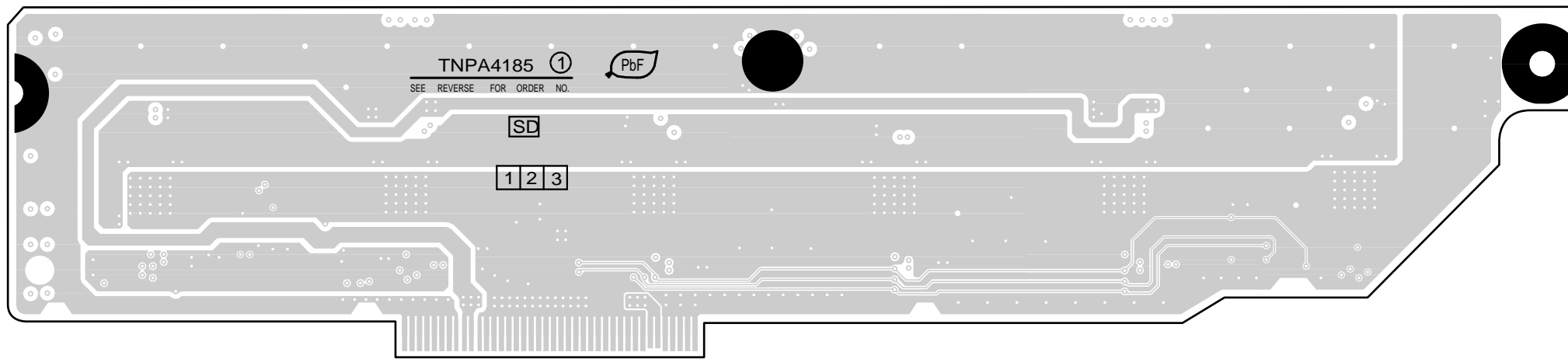
14.10. SD-Board

Parts Location

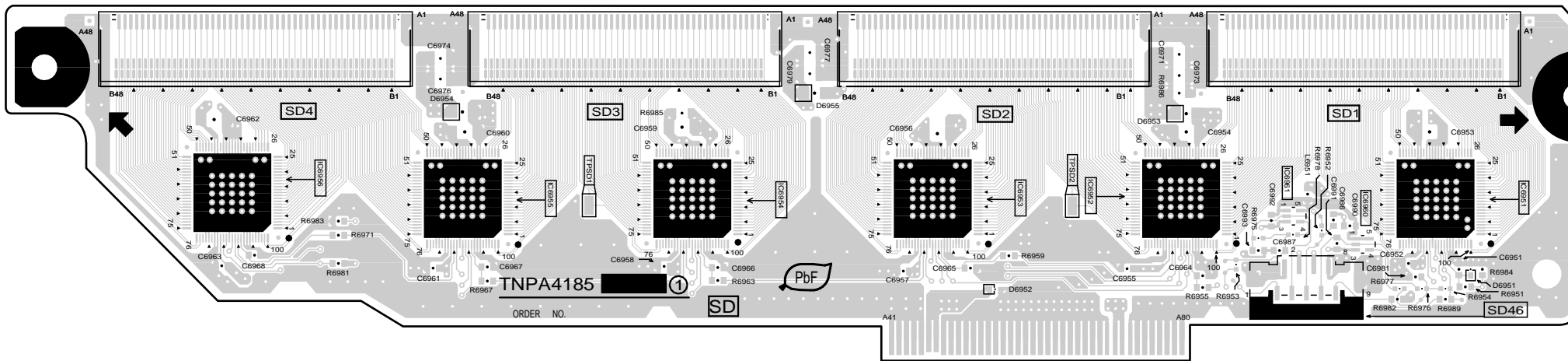
SD-BOARD	
IC	
IC6951	G-2
IC6952	F-2
IC6953	E-2
IC6954	D-2
IC6955	C-2
IC6956	B-2
IC6960	G-2
IC6961	G-2
TP	
TPSD1	D-2
TPSD2	F-2



**SD-BOARD (FOIL SIDE)
TNPA4185**



**SD-BOARD (COMPONENT SIDE)
TNPA4185**



TH-42PV70L
SD-BOARD TNPA4185

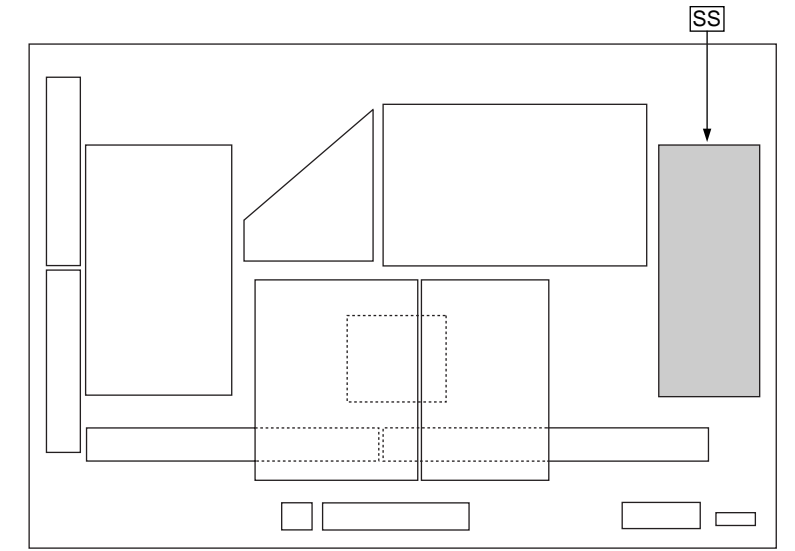
TH-42PV70L
SD-BOARD TNPA4185

A B C D E F G H I

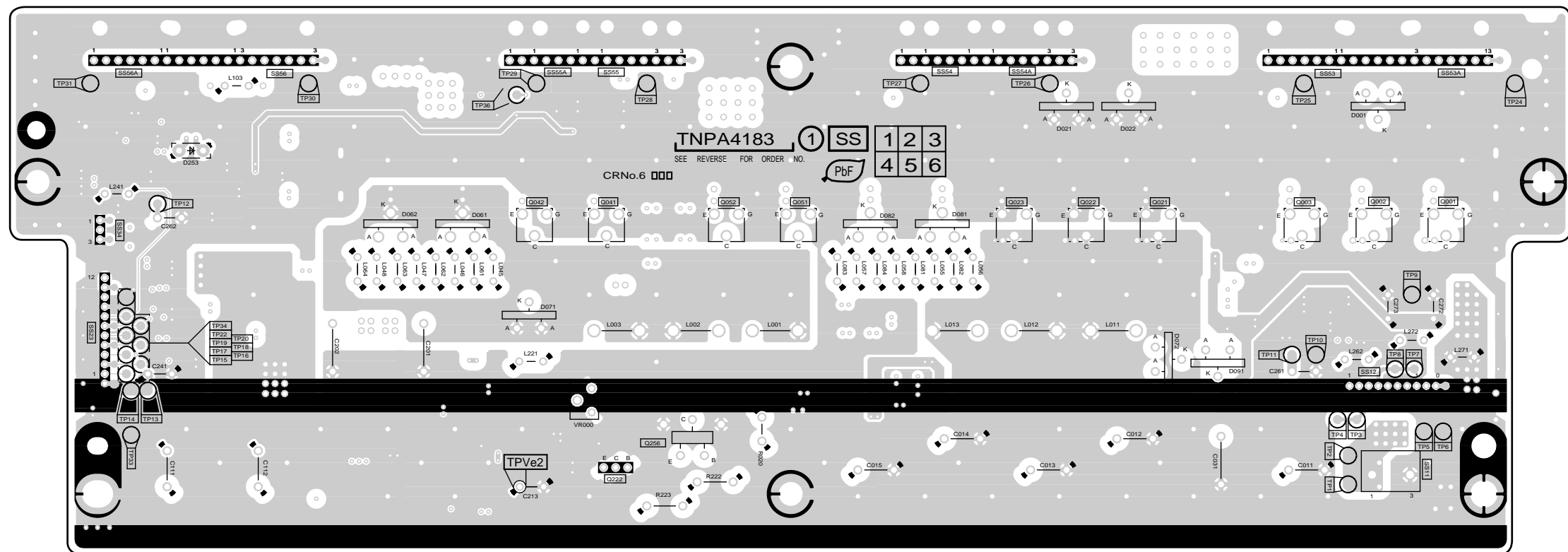
14.11. SS-Board

Parts Location

SS-BOARD (FOIL SIDE)							
TRANSISTOR		TP				VOLUME	
Q6001	H-3	TP1	H-1	TP22	B-2	VR6000	D-2
Q6002	H-3	TP2	H-1	TP24	H-3		
Q6003	G-3	TP3	H-1	TP25	G-3		
Q6021	G-3	TP4	H-1	TP26	F-3		
Q6022	F-3	TP5	H-1	TP27	F-3		
Q6023	F-3	TP6	H-1	TP28	D-3		
Q6041	D-3	TP7	H-2	TP29	D-3		
Q6042	D-3	TP8	H-2	TP30	C-3		
Q6051	E-3	TP9	H-2	TP31	B-3		
Q6052	E-3	TP10	G-2	TP33	B-2		
Q6222	D-1	TP11	G-2	TP34	B-2		
Q6256	D-1	TP12	B-3	TP36	D-3		
		TP13	B-2	TPVe2	D-1		
		TP14	B-2				
		TP15	B-2				
		TP16	B-2				
		TP17	B-2				
		TP18	B-2				
		TP19	B-2				
		TP20	B-2				



SS-BOARD (FOIL SIDE)
TNPA4183



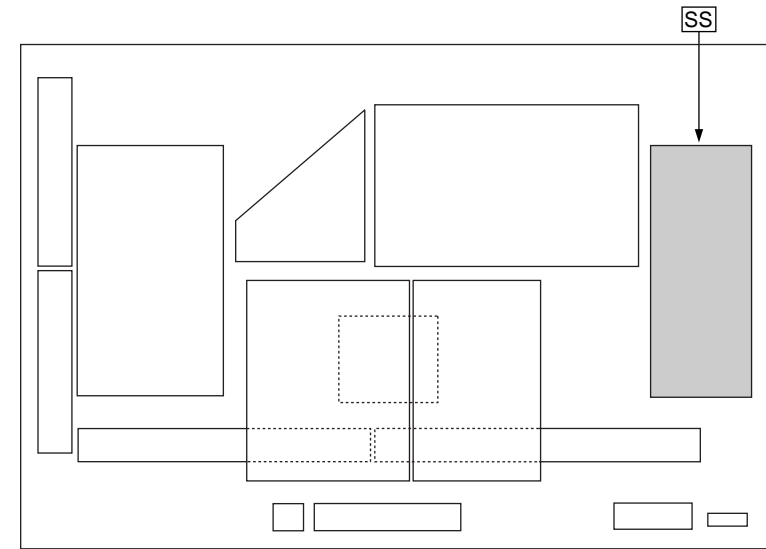
TH-42PV70L
SS-BOARD TNPA4183

TH-42PV70L
SS-BOARD TNPA4183

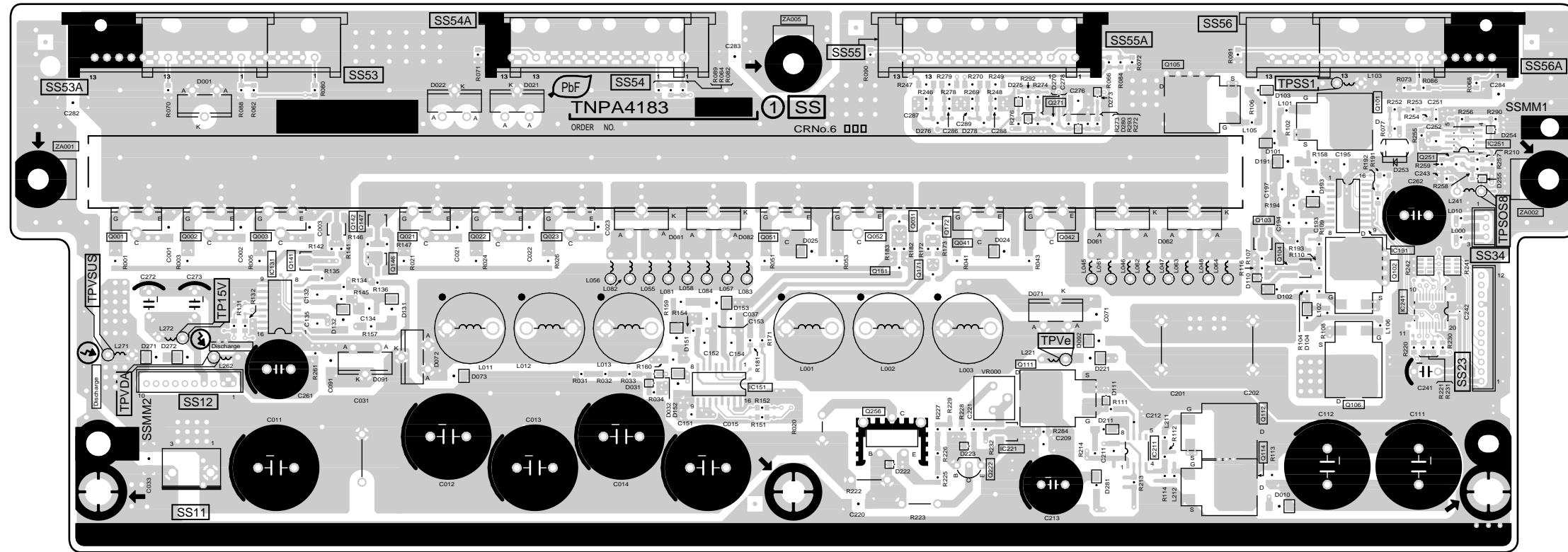
6
5
4
3
2
1

Parts Location

SS-BOARD (COMPONENT SIDE)					
IC	TRANSISTOR	Q6111	F-2	TP	
IC6131	C-2	Q6001	B-2	Q6112	G-1
IC6151	E-2	Q6002	B-2	Q6114	G-1
IC6191	H-2	Q6003	C-2	Q6141	C-2
IC6211	G-1	Q6021	C-2	Q6142	C-2
IC6221	F-1	Q6022	D-2	Q6146	C-2
IC6241	H-2	Q6023	D-2	Q6147	C-2
IC6251	H-2	Q6031	F-2	Q6171	F-2
		Q6041	F-2	Q6172	F-2
		Q6042	F-2	Q6181	E-2
		Q6051	E-2	Q6222	F-1
		Q6052	E-2	Q6251	H-3
		Q6101	H-3	Q6256	E-2
		Q6102	H-2	Q6271	F-3
		Q6103	G-2		
		Q6104	G-2		
		Q6105	G-3		
		Q6106	H-2		
				VOLUME	
				VR6000	F-2



**SS-BOARD (COMPONENT SIDE)
TNPA4183**

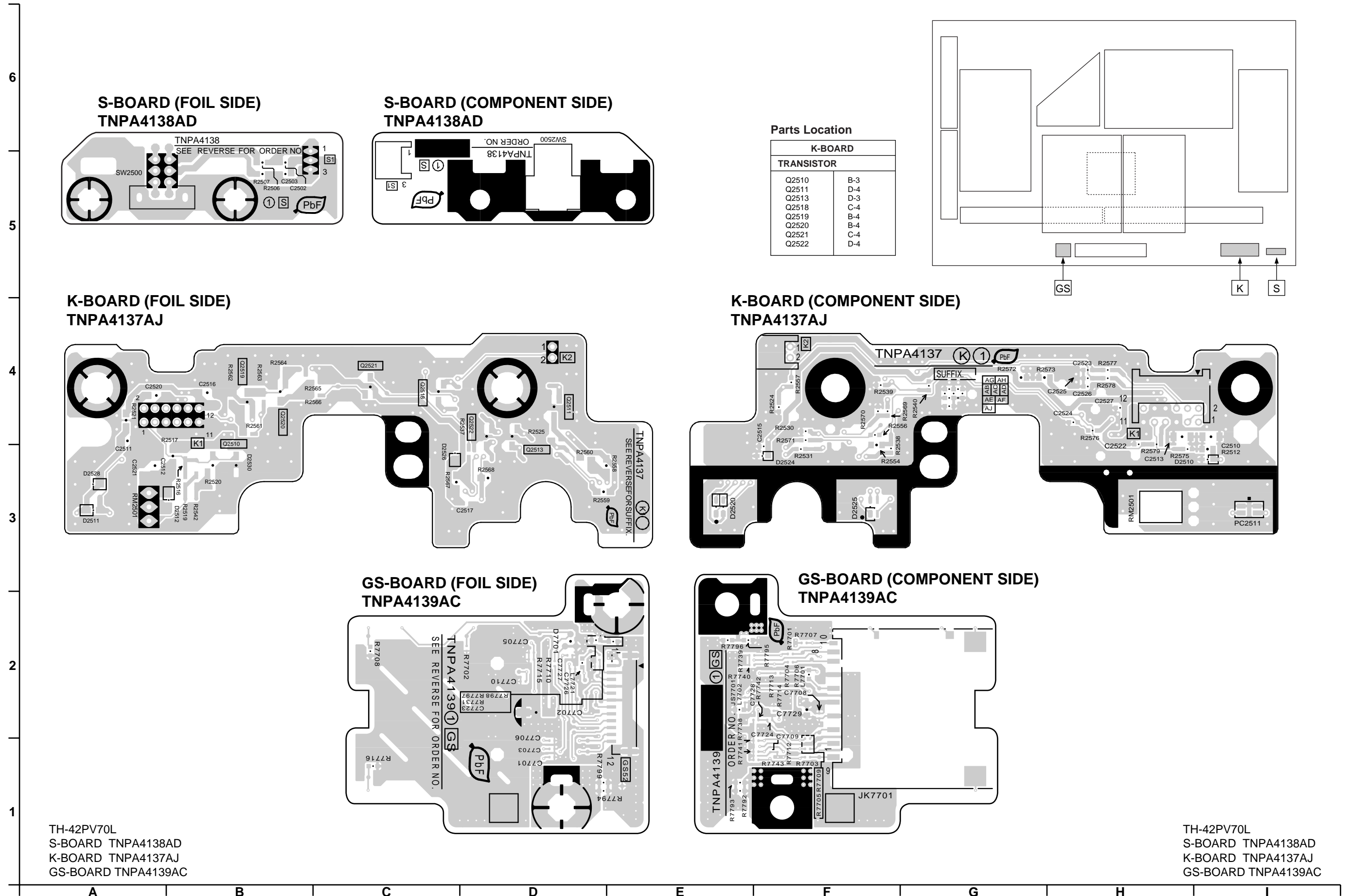


TH-42PV70L
SS-BOARD TNPA4183

TH-42PV70L
SS-BOARD TNPA4183

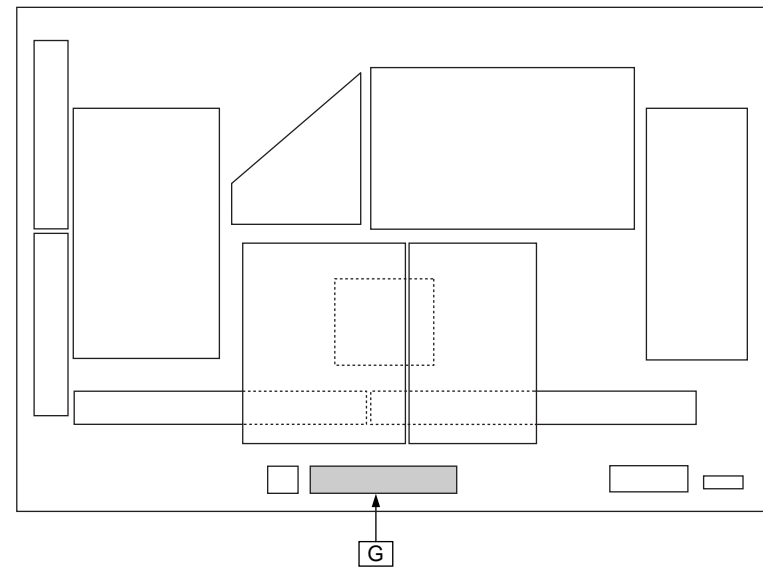
A B C D E F G H I

14.12. GS, K, and S-Board

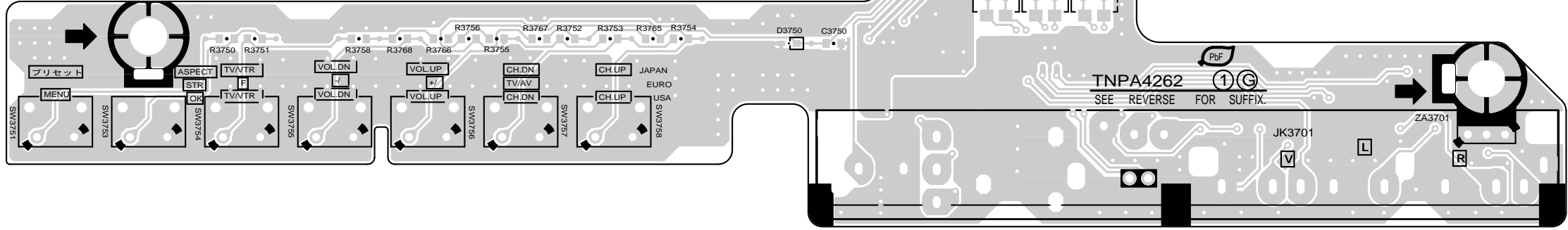


14.13. G-Board

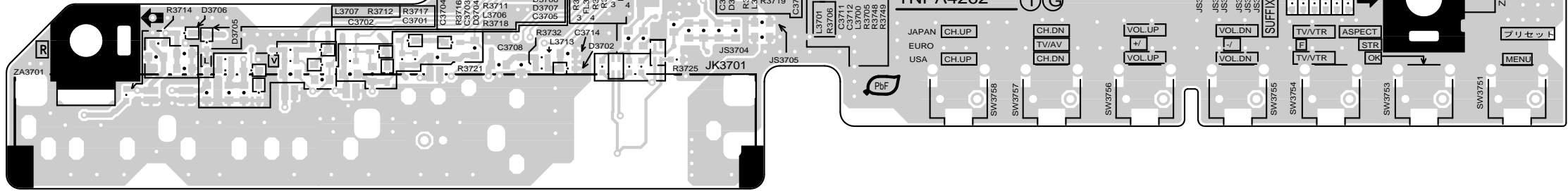
6
5
4
3
2
1



**G-BOARD (FOIL SIDE)
TNPA4262AB**



**G-BOARD (COMPONENT SIDE)
TNPA4262AB**



TH-42PV70L
G-BOARD TNPA4262AB

TH-42PV70L
G-BOARD TNPA4262AB

A B C D E F G H I

15 Schematic and Block Diagram

15.1. Schematic Diagram Note

Important Safety Notice

Components identified by \triangle mark have special characteristics important for safety.
When replacing any of these components, use only manufacture's specified parts.

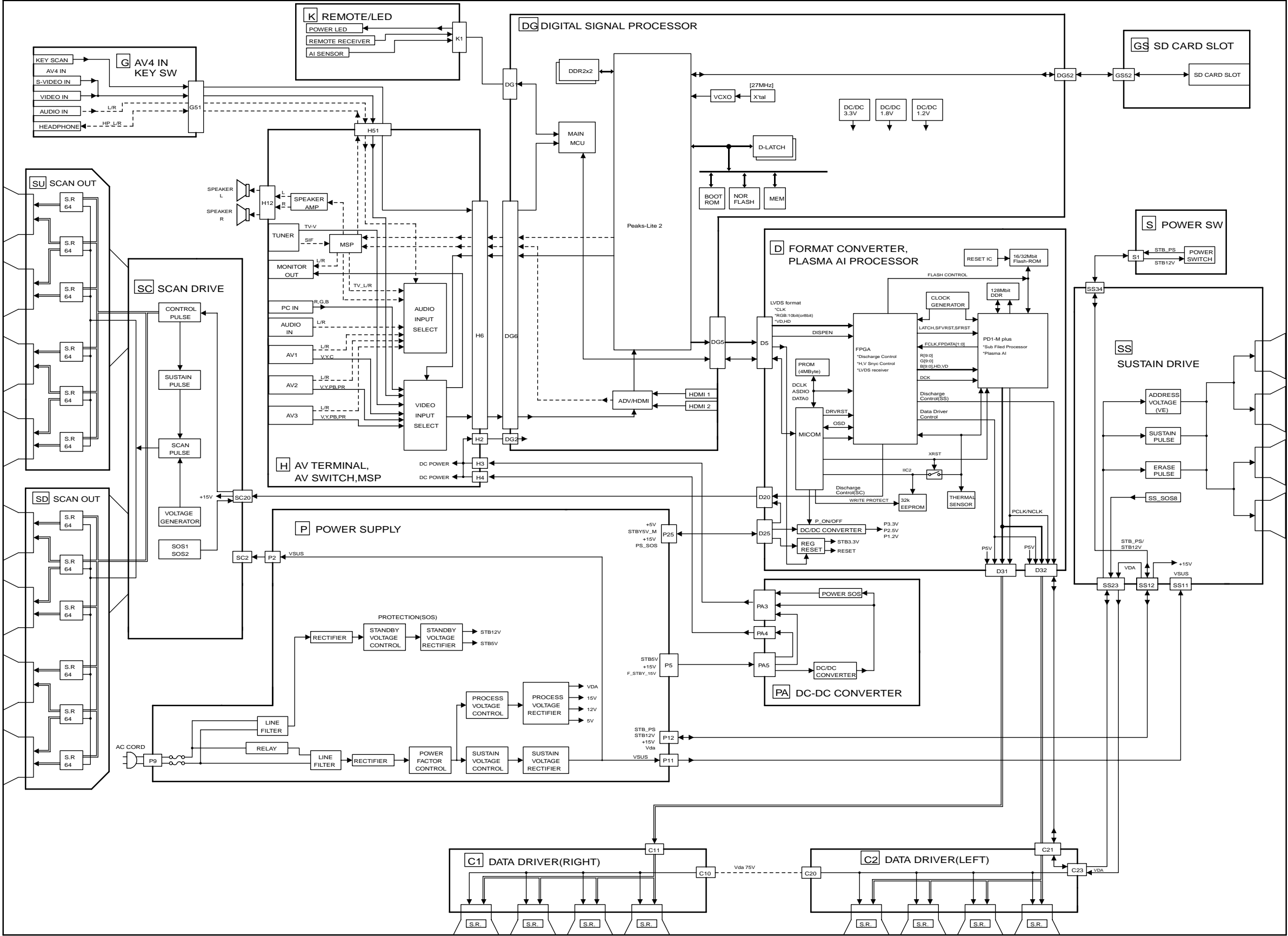
Notes:

1. **Resistor**
Unit of resistance is OHM [Ω] (K=1,000, M=1,000,000).
2. **Capacitor**
Unit of capacitance is μ F, unless otherwise noted.
3. Coil
Unit of inductance is H, unless otherwise noted.
4. Test Point
○ : Test Point position
5. Earth Symbol
⏏ : Chassis Earth (Cold) ⚡ : Line Earth (Hot)
6. Voltage Measurement
Voltage is measured by a DC voltmeter.
Conditions of the measurement are the following:
Power Source AC110-220V, 50/60Hz
Receiving Signal Colour Bar signal (RF)
All customer's controls Maximum positions
7. When arrow mark (↗) is found, connection is easily found from the direction of arrow.
8. Indicates the major signal flow. : Video ➡ Audio ⇔
9. This schematic diagram is the latest at the time of printing and subject to change without notice.

Remarks:

1. The Power Circuit contains a circuit area which uses a separate power supply to isolate the earth connection.
The circuit is defined by HOT and COLD indications in the schematic diagram. Take the following precautions.
All circuits, except the Power Circuit, are cold.
Precautions
 - a. Do not touch the hot part or the hot and cold parts at the same time or you may be shocked.
 - b. Do not short- circuit the hot and cold circuits or a fuse may blow and parts may break.
 - c. Do not connect an instrument, such as an oscilloscope, to the hot and cold circuits simultaneously or a fuse may blow.
Connect the earth of instruments to the earth connection of the circuit being measured.
 - d. Make sure to disconnect the power plug before removing the chassis.

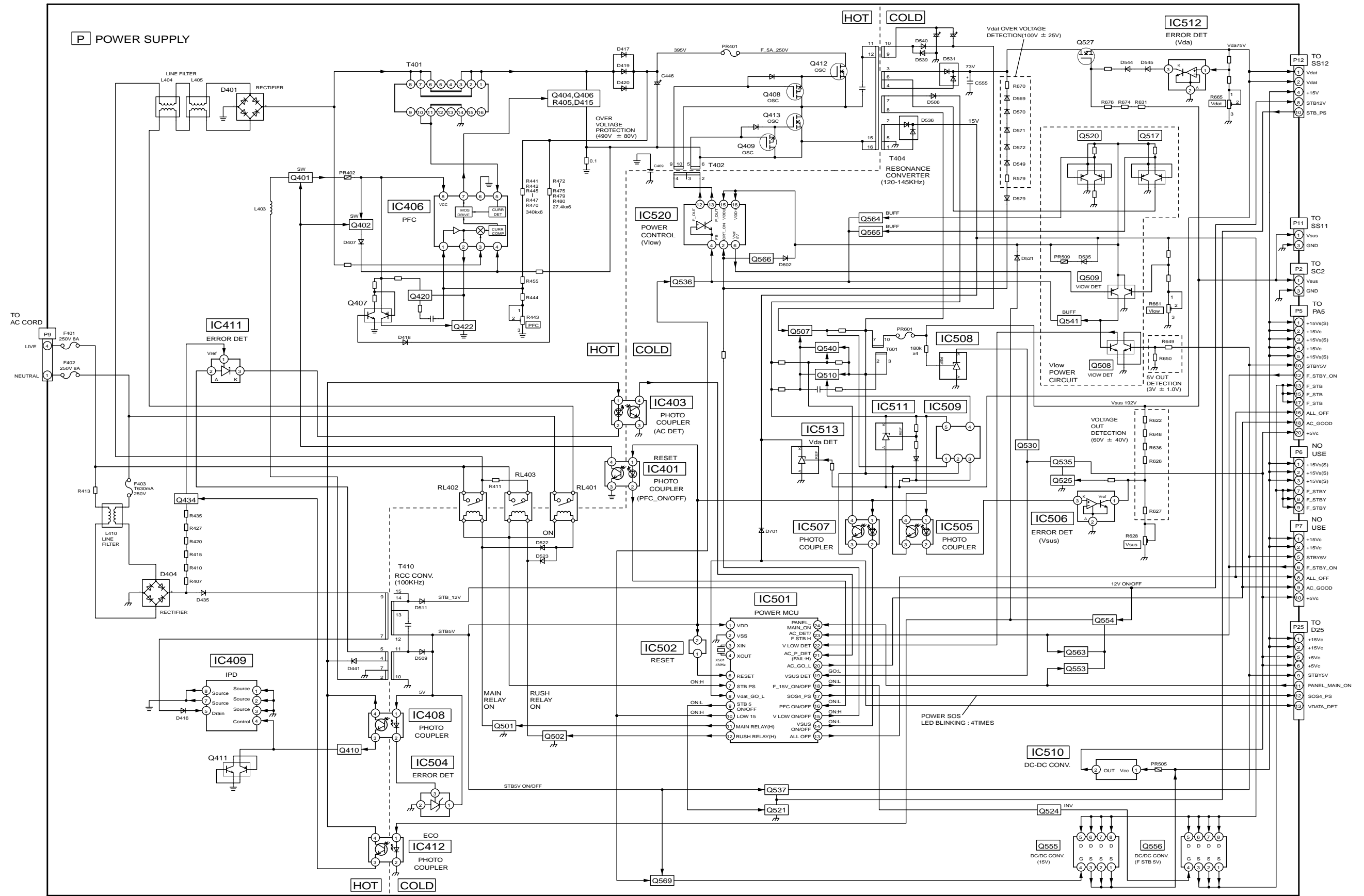
15.2. Main Block Diagram



TH-42PV70L Main Block Diagram

TH-42PV70L Main Block Diagram

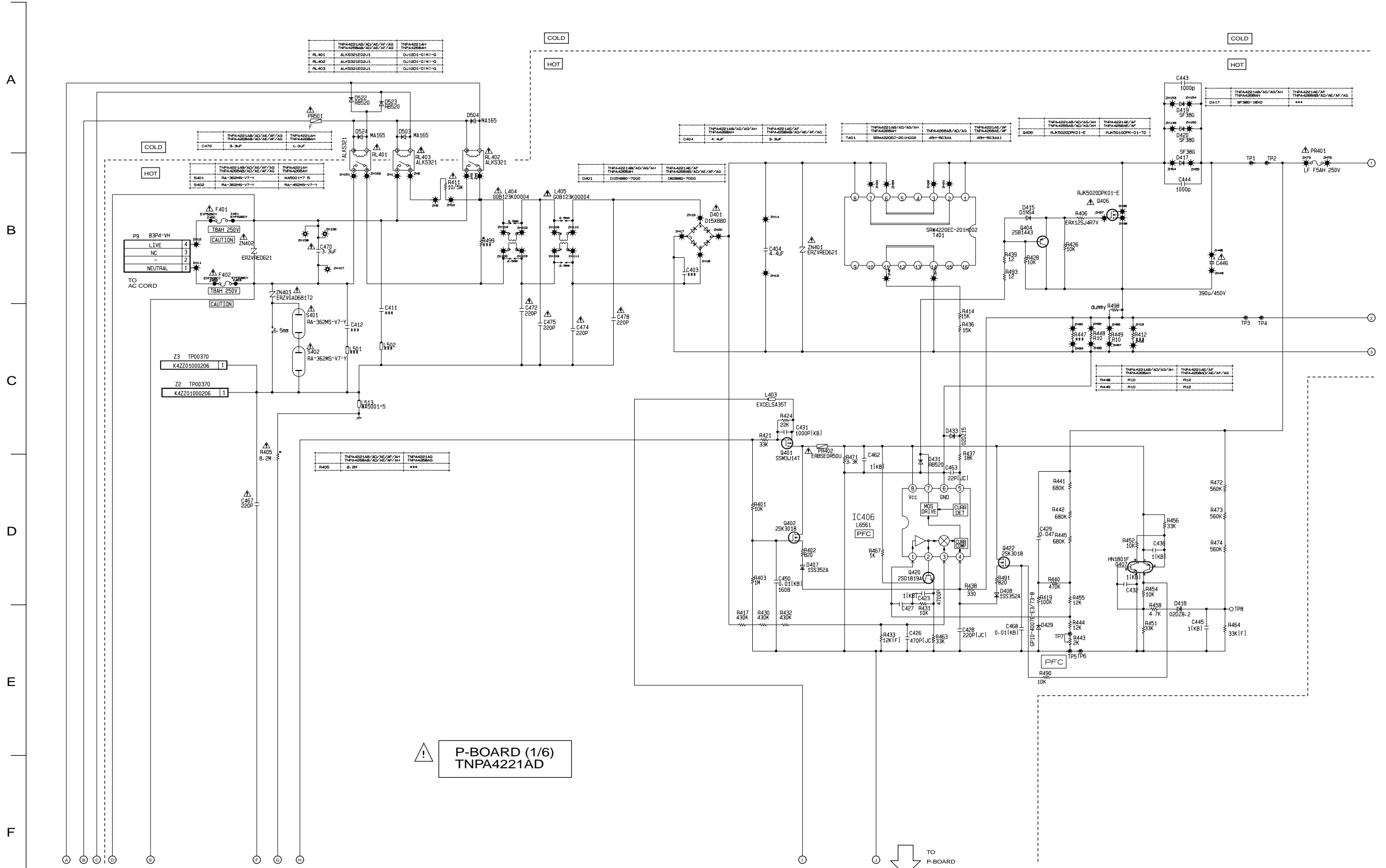
15.3. P-Board Block Diagram



TH-42PV70L
P-Board Block Diagram

TH-42PV70L
P-Board Block Diagram

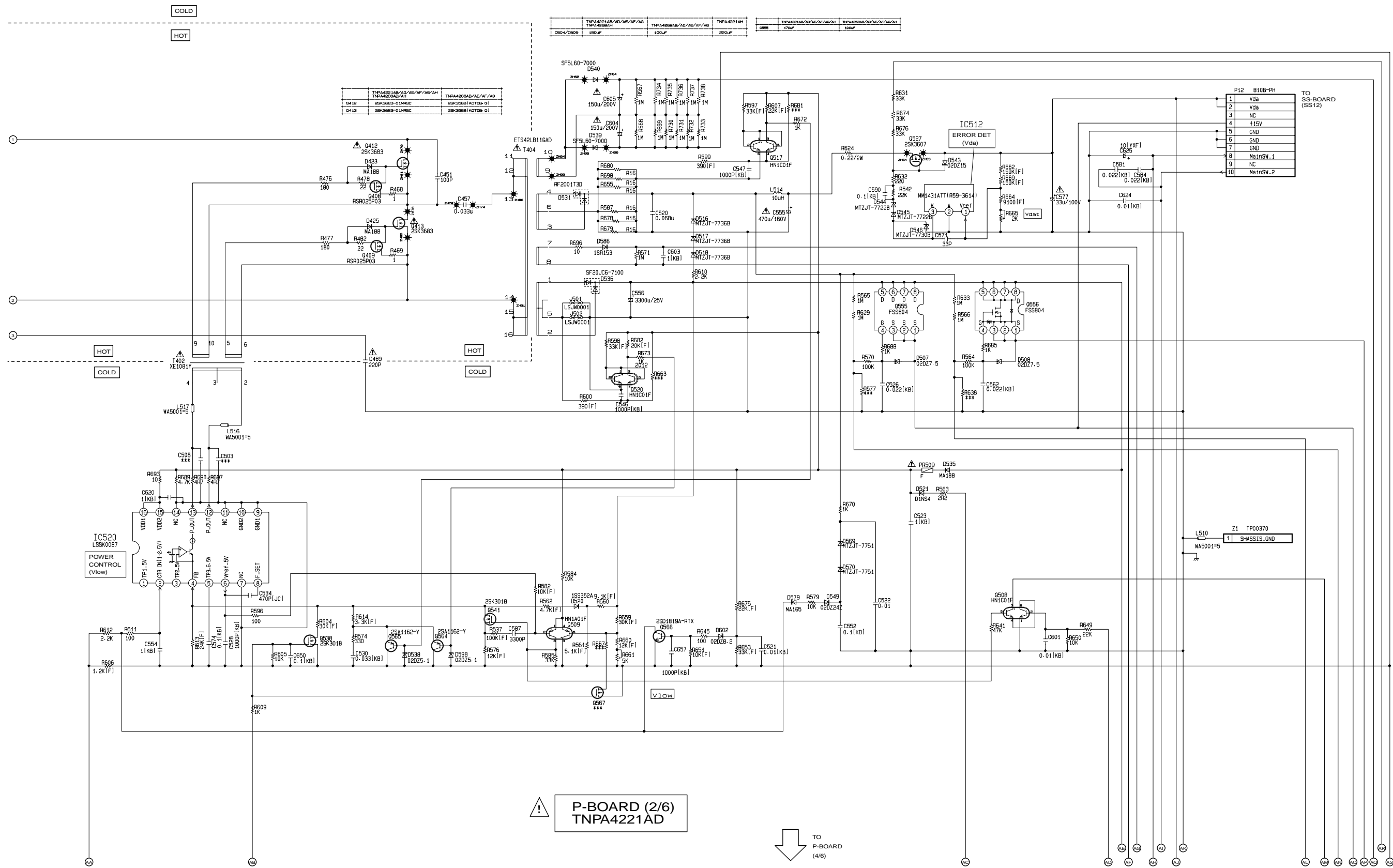
15.4. P-Board (1 of 6) Schematic Diagram



TH-42PV70L
P-Board (1 of 6) Schematic Diagram

TH-42PV70L
P-Board (1 of 6) Schematic Diagram

15.5. P-Board (2 of 6) Schematic Diagram



TH-42PV70L
P-Board (2 of 6) Schematic Diagram

TH-42PV70L
P-Board (2 of 6) Schematic Diagram

10

11

12

13

14

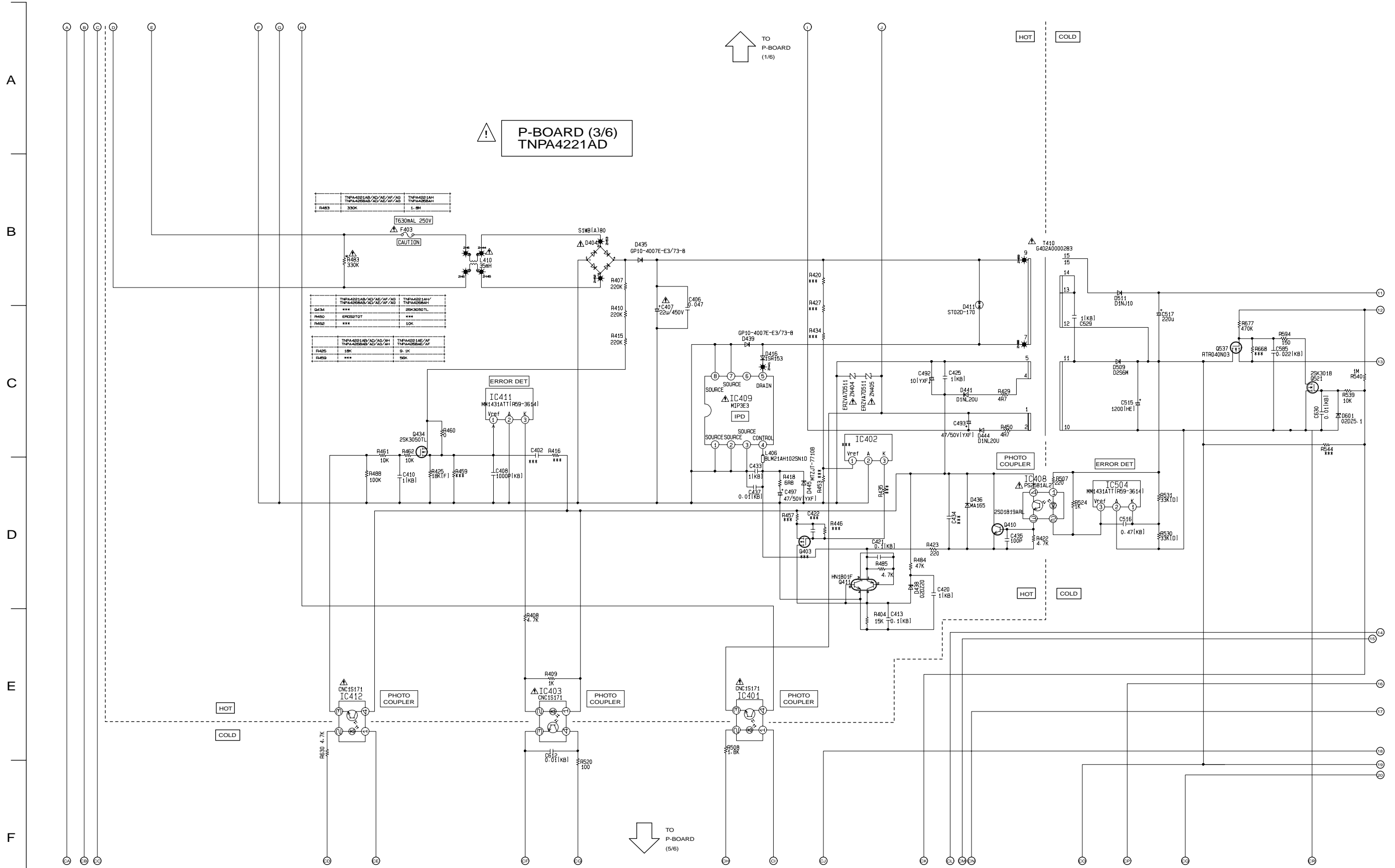
15

16

17

18

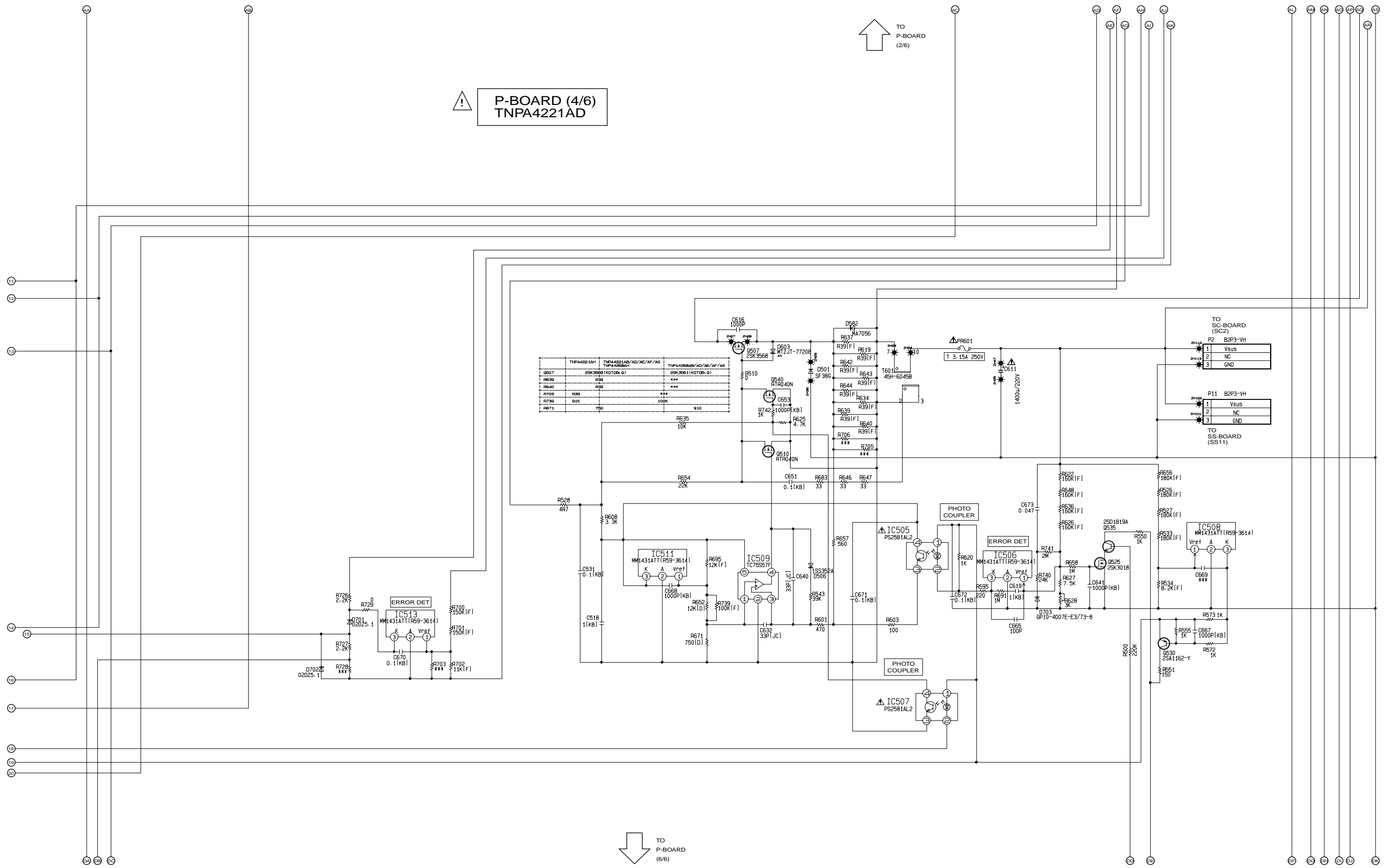
15.6. P-Board (3 of 6) Schematic Diagram



TH-42PV70L
P-Board (3 of 6) Schematic Diagram

TH-42PV70L
P-Board (3 of 6) Schematic Diagram

15.7. P-Board (4 of 6) Schematic Diagram



TH-42PV70L
P-Board (4 of 6) Schematic Diagram

TH-42PV70L
P-Board (4 of 6) Schematic Diagram

10

11

12

13

14

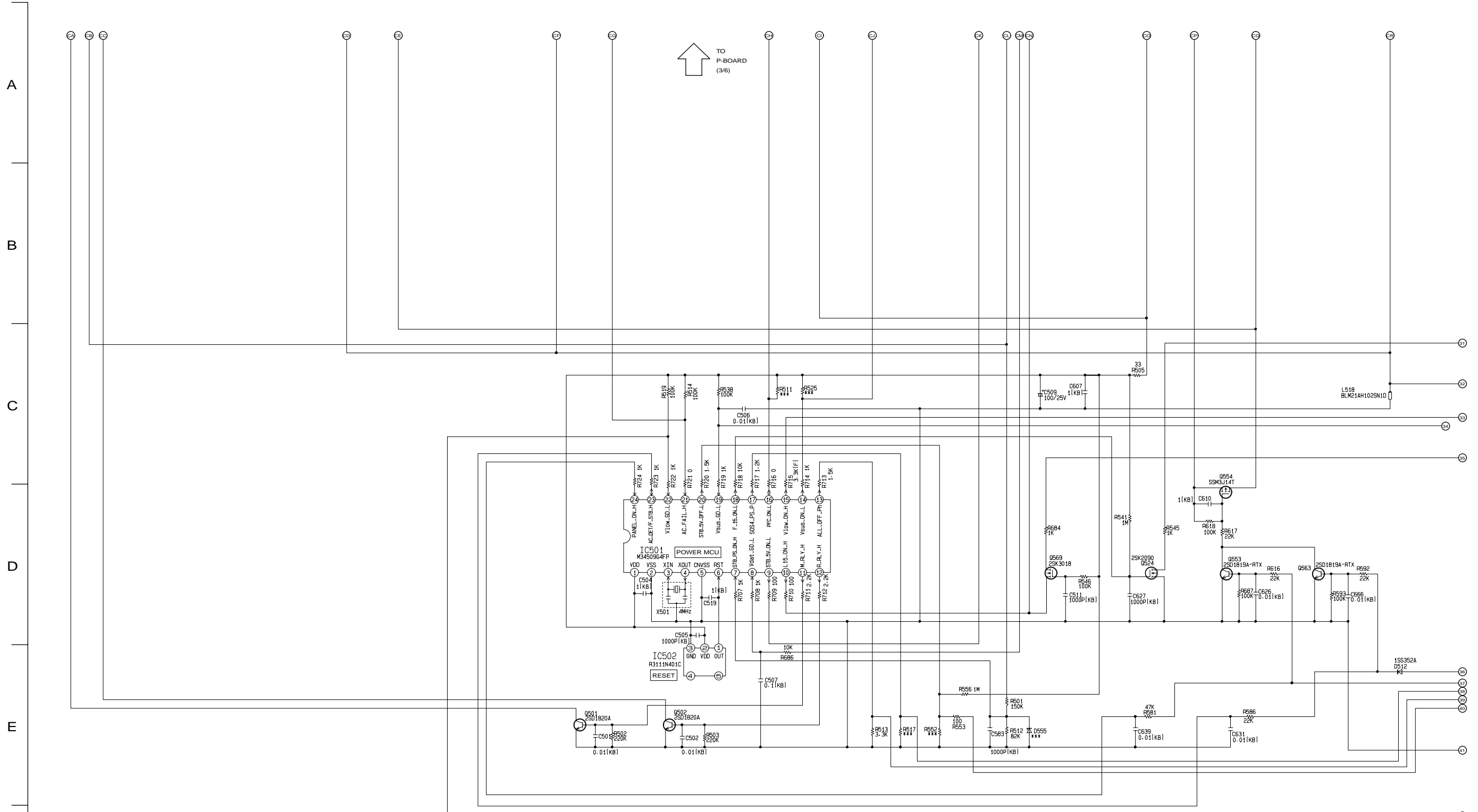
15

16

17

18

15.8. P-Board (5 of 6) Schematic Diagram



⚠ P-BOARD (5/6)
TNPA4221AD

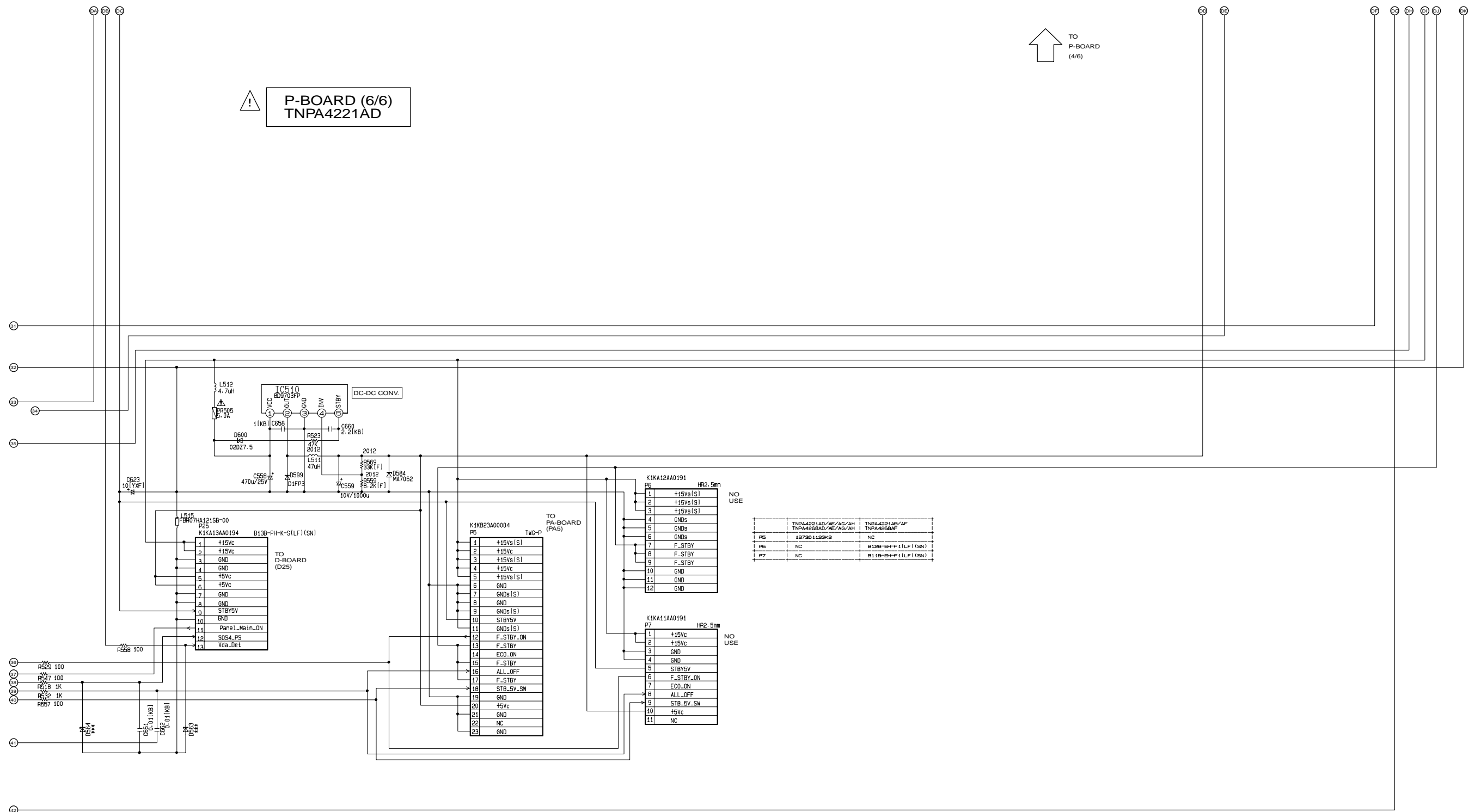
↑ TO
P-BOARD
(3/6)

TH-42PV70L
P-Board (5 of 6) Schematic Diagram

TH-42PV70L
P-Board (5 of 6) Schematic Diagram

1 2 3 4 5 6 7 8 9

15.9. P-Board (6 of 6) Schematic Diagram



TH-42PV70L
P-Board (6 of 6) Schematic Diagram

TH-42PV70L
P-Board (6 of 6) Schematic Diagram

10

11

12

13

14

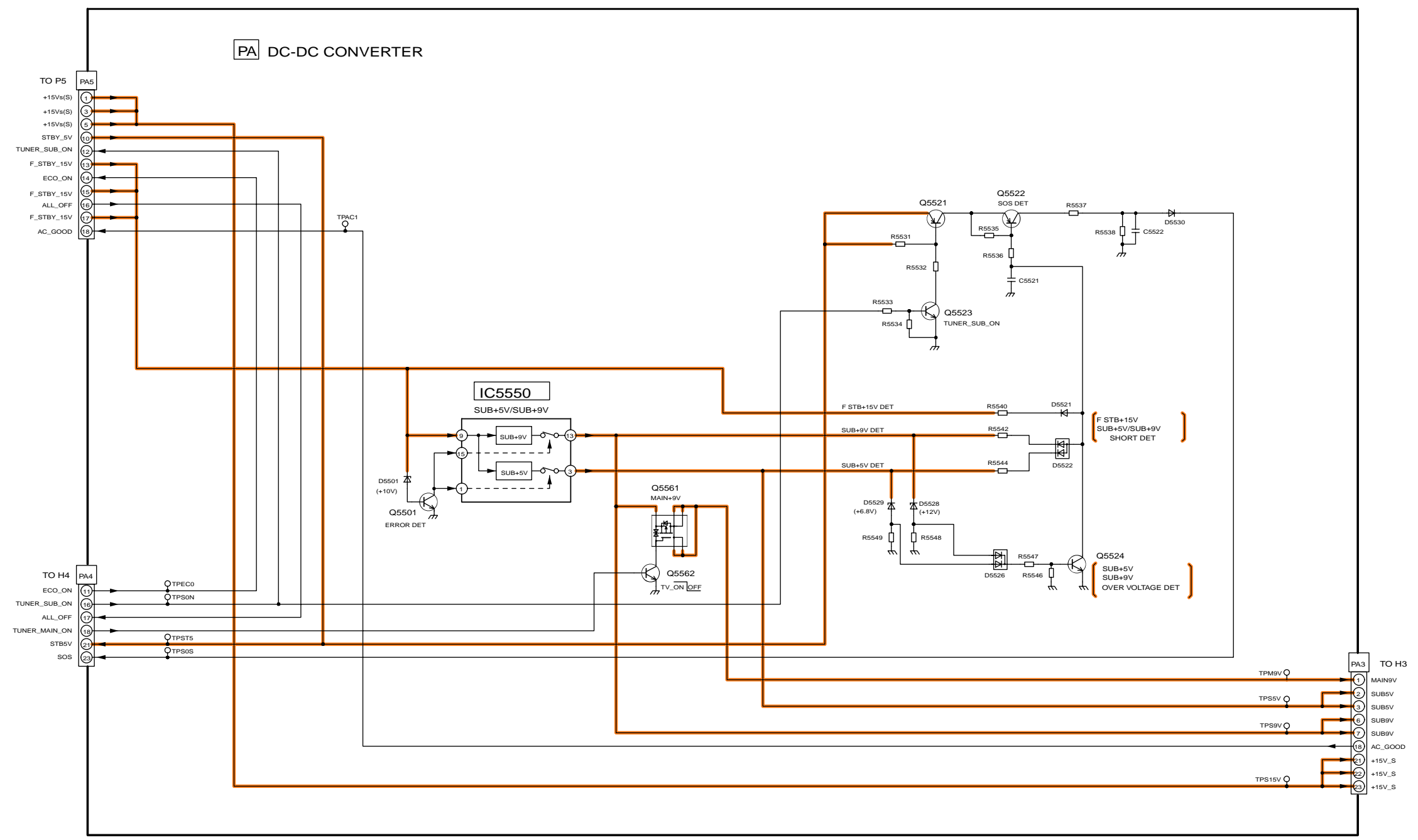
15

16

17

18

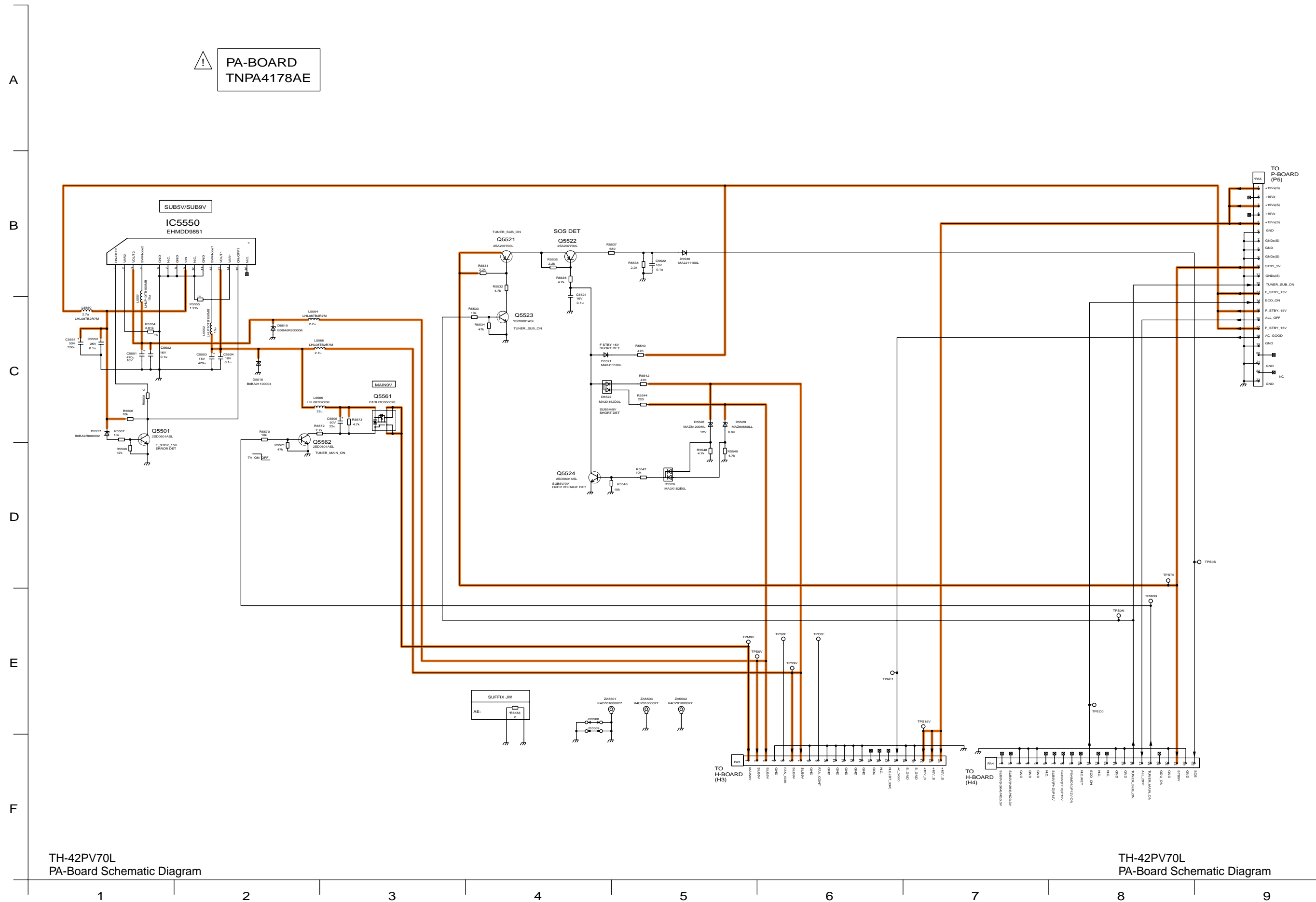
15.10. PA-Board Block Diagram



TH-42PV70L
PA-Board Block Diagram

TH-42PV70L
PA-Board Block Diagram

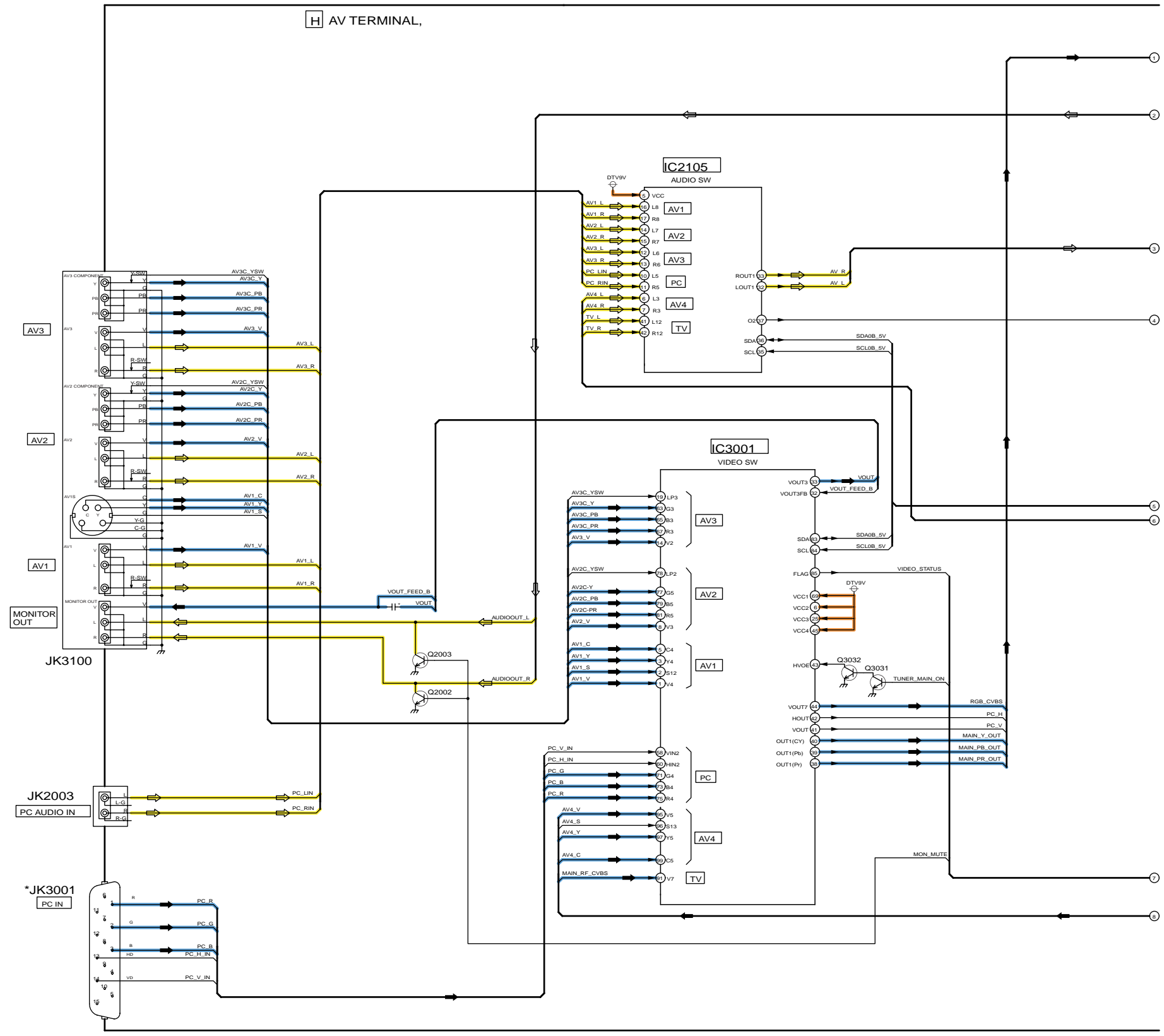
15.11. PA-Board Schematic Diagram



TH-42PV70L
PA-Board Schematic Diagram

TH-42PV70L
PA-Board Schematic Diagram

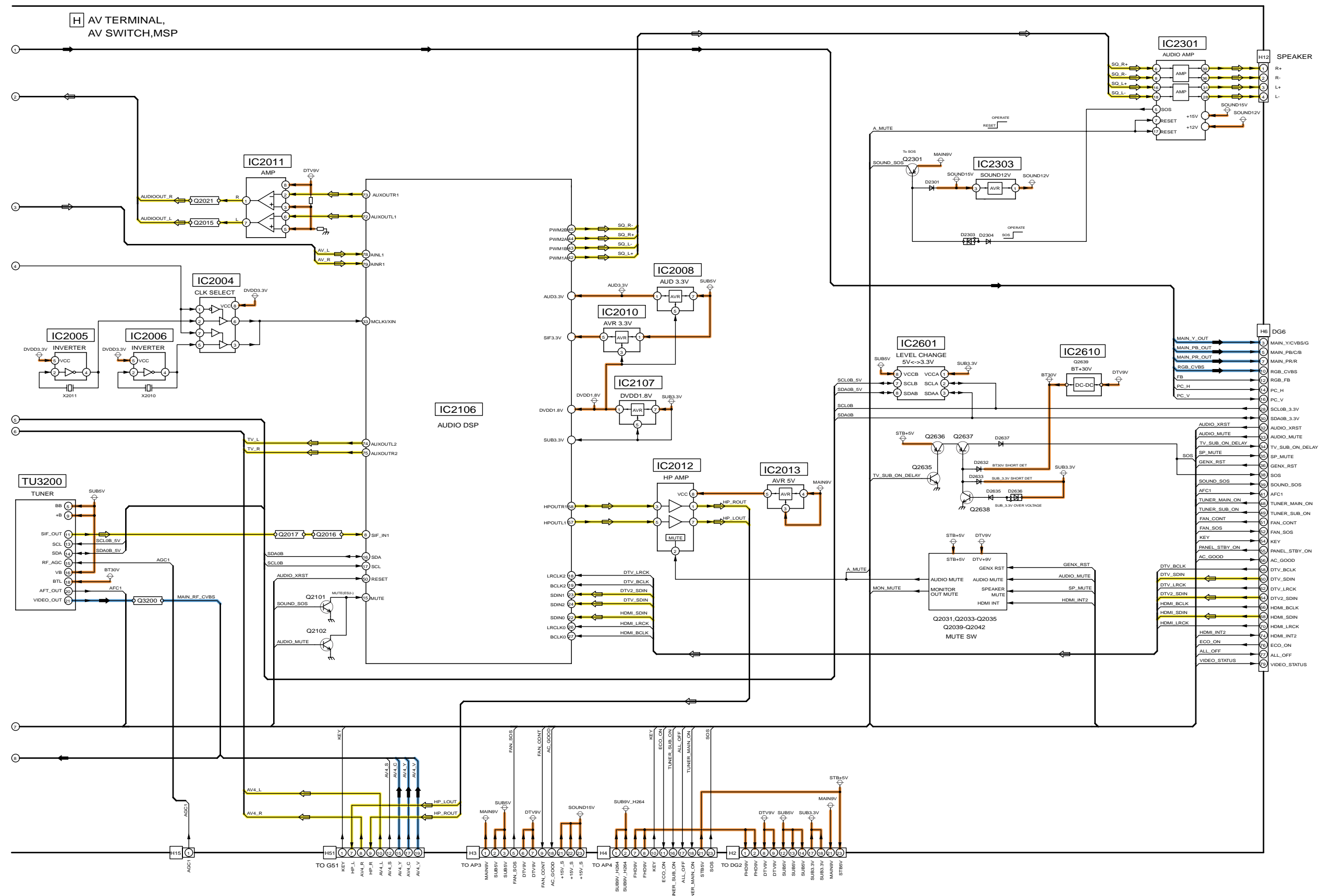
15.12. H-Board (1 of 2) Block Diagram



TH-42PV70L
H-Board (1 of 2) Block Diagram

TH-42PV70L
H-Board (1 of 2) Block Diagram

15.13. H-Board (2 of 2) Block Diagram

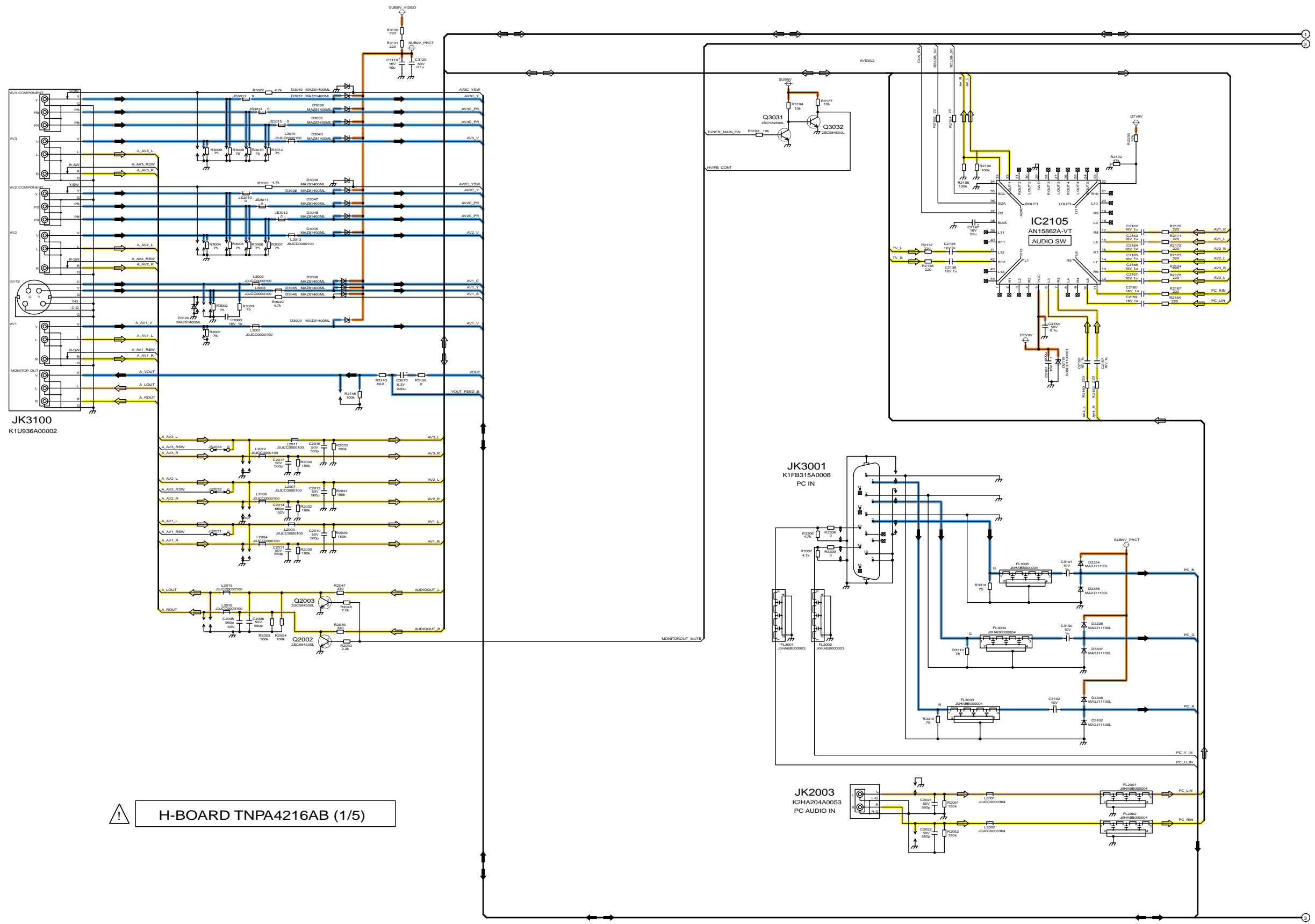


TH-42PV70L
H-Board (2 of 2) Block Diagram

TH-42PV70L
H-Board (2 of 2) Block Diagram

15.14. H-Board (1 of 5) Schematic Diagram

A
B
C
D
E
F



H-BOARD TNPA4216AB (1/5)

TH-42PV70L
H-Board (1 of 5) Schematic Diagram

TH-42PV70L
H-Board (1 of 5) Schematic Diagram

1

2

3

4

5

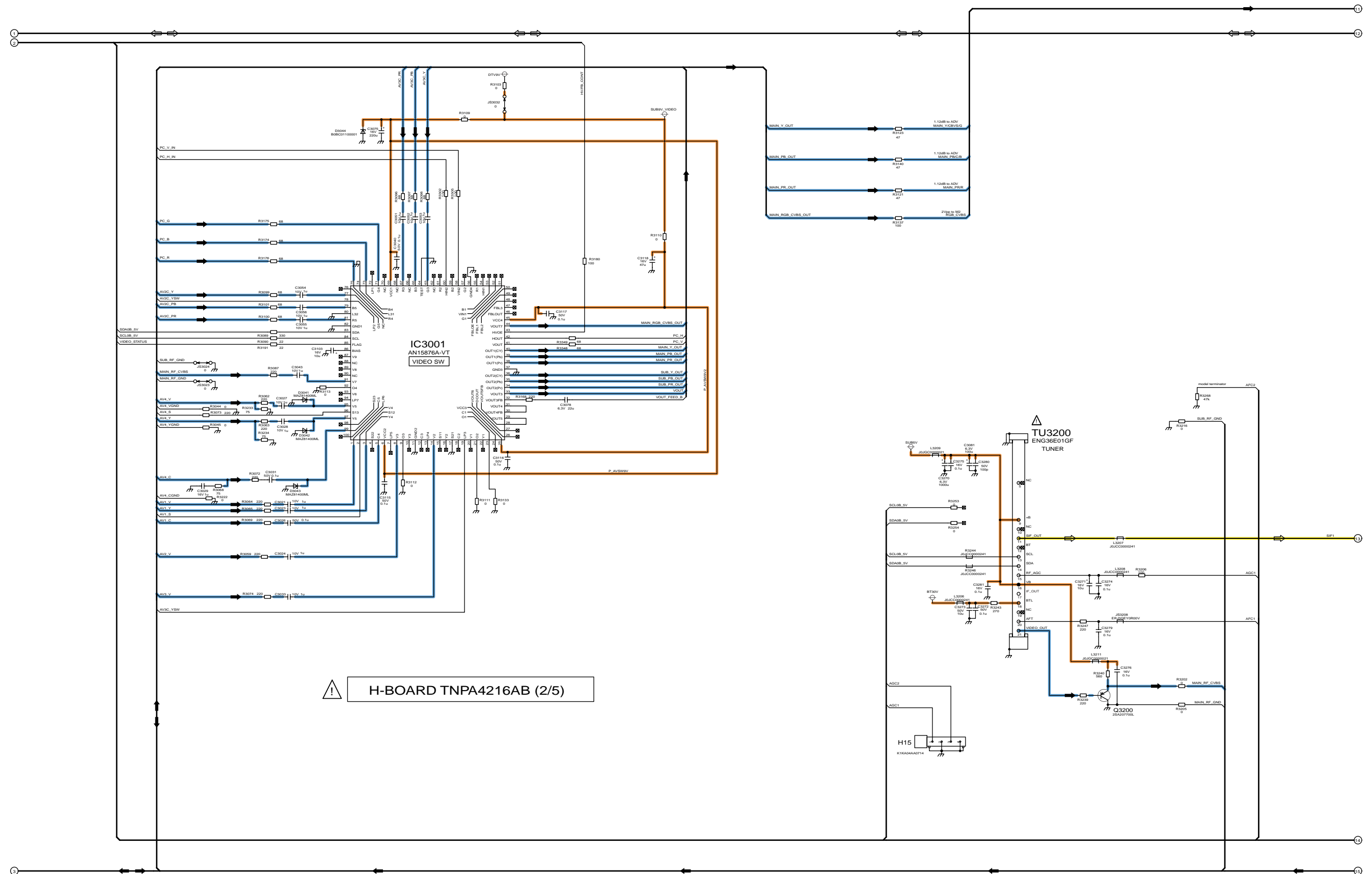
6

7

8

9

15.15. H-Board (2 of 5) Schematic Diagram



! H-BOARD TNPA4216AB (2/5)

TH-42PV70L
H-Board (2 of 5) Schematic Diagram

TH-42PV70L
H-Board (2 of 5) Schematic Diagram

10

11

12

13

14

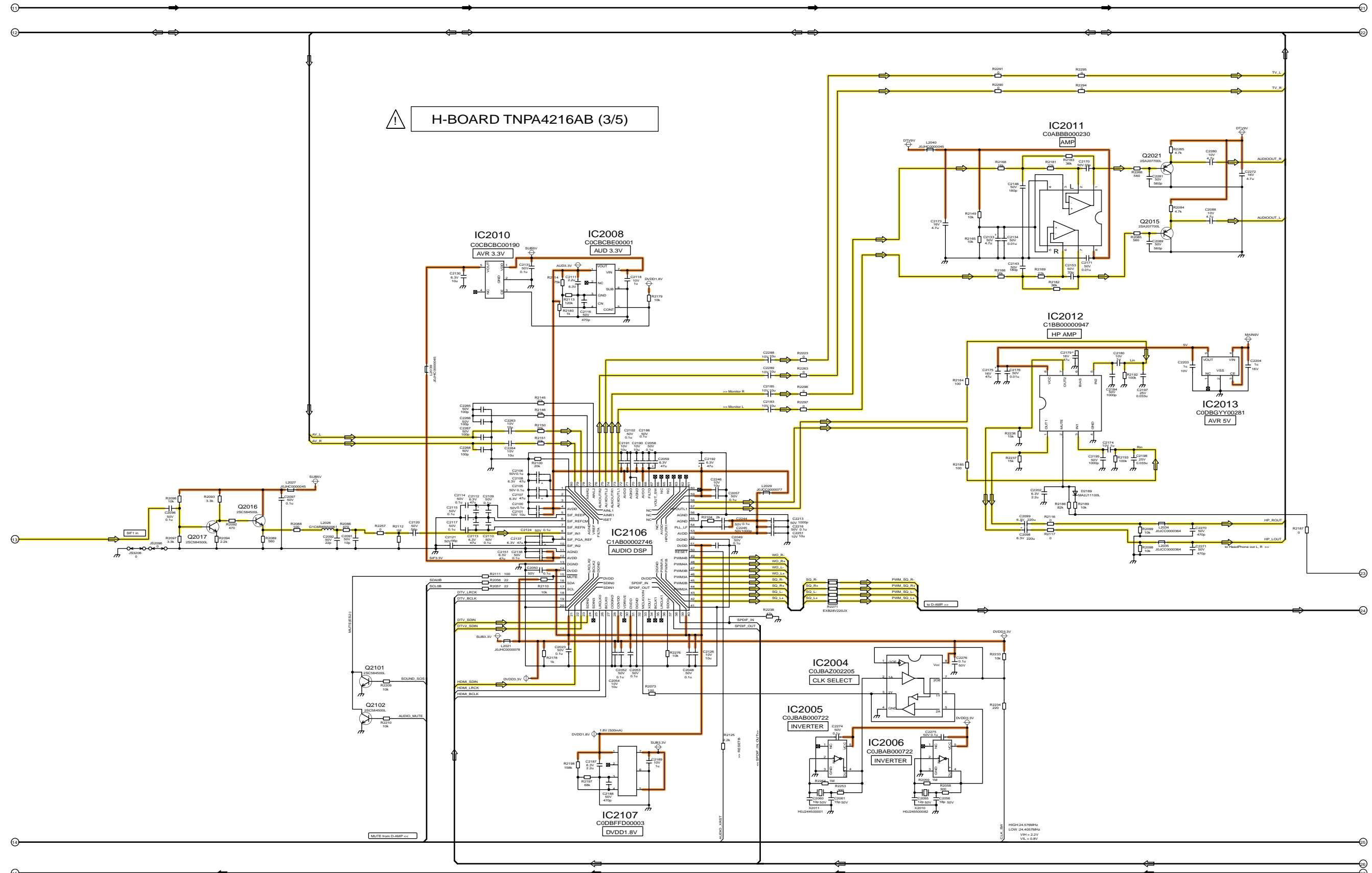
15

16

17

18

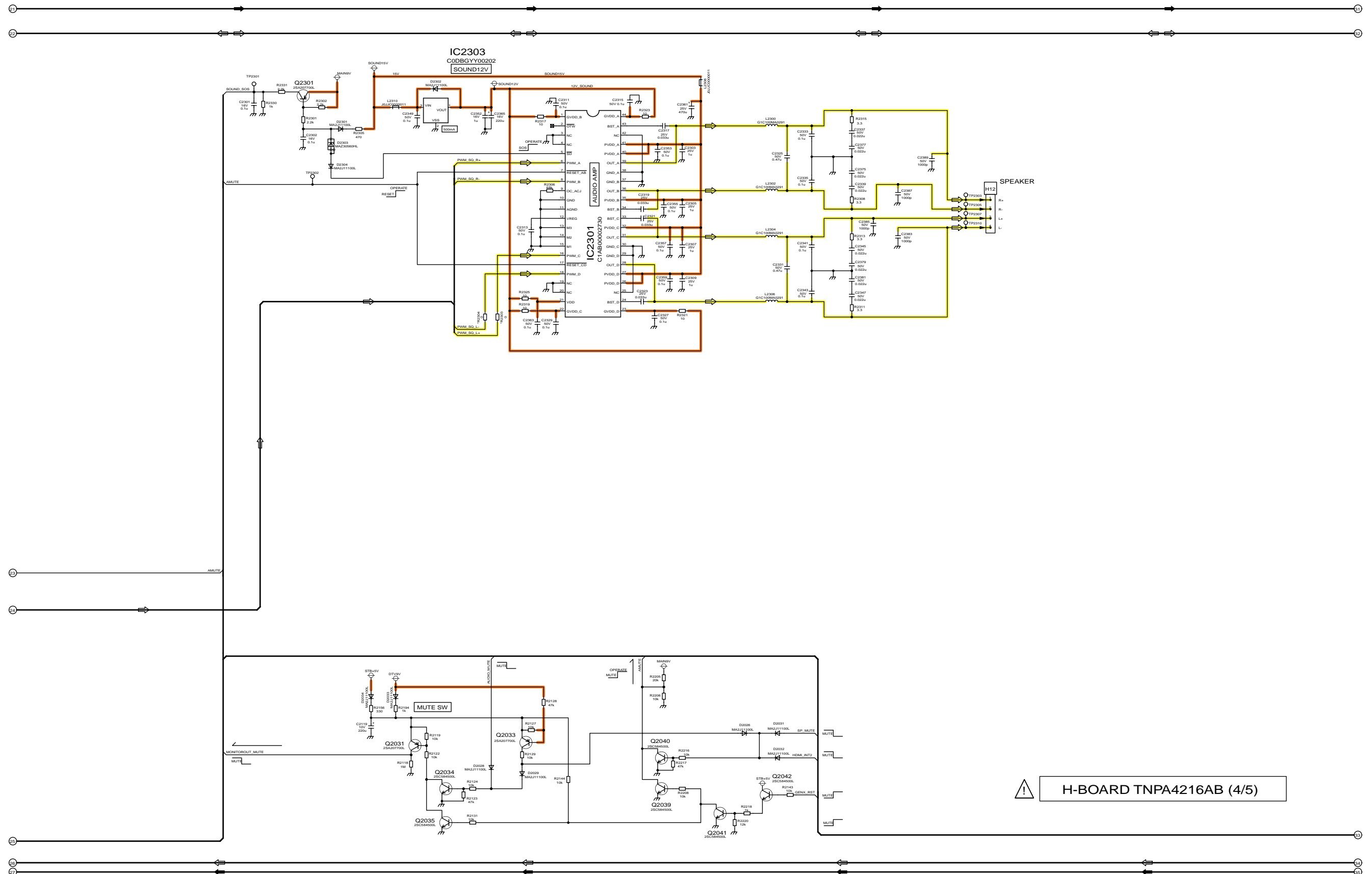
15.16. H-Board (3 of 5) Schematic Diagram



TH-42PV70L
H-Board (3 of 5) Schematic Diagram

TH-42PV70L
H-Board (3 of 5) Schematic Diagram

15.17. H-Board (4 of 5) Schematic Diagram



⚠ H-BOARD TNPA4216AB (4/5)

TH-42PV70L
H-Board (4 of 5) Schematic Diagram

TH-42PV70L
H-Board (4 of 5) Schematic Diagram

28

29

30

31

32

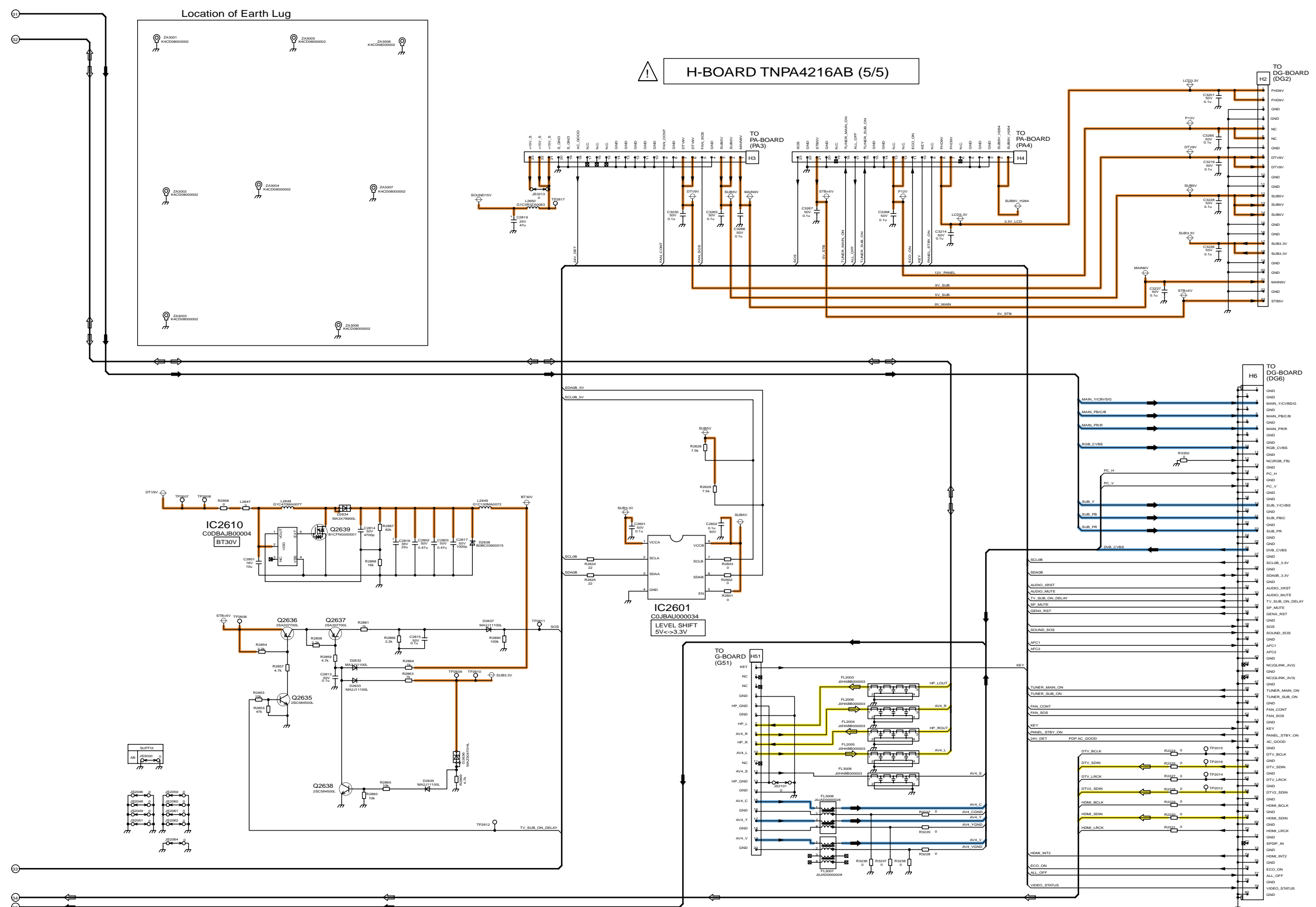
33

34

35

36

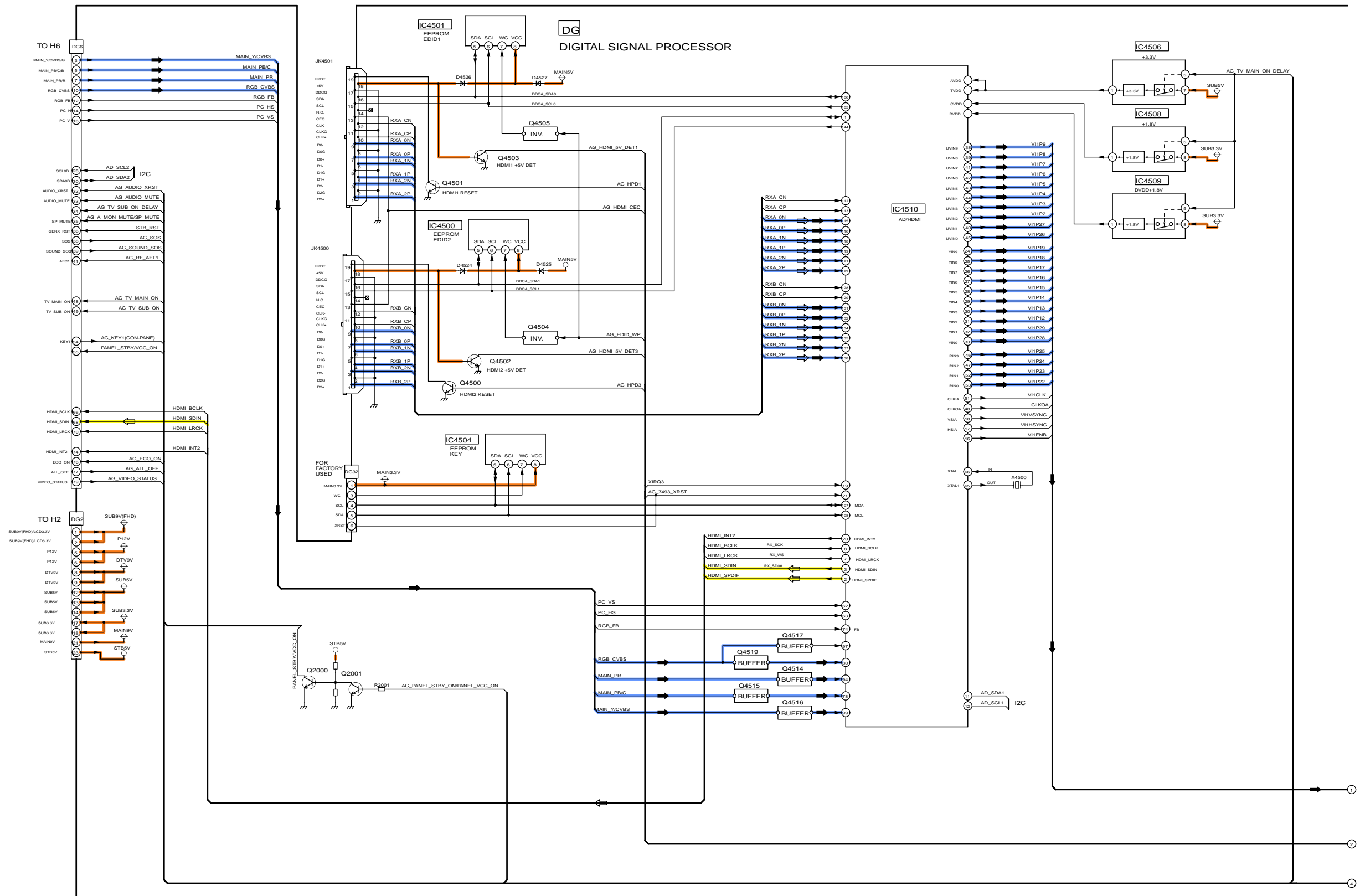
15.18. H-Board (5 of 5) Schematic Diagram



TH-42PV70L H-Board (5 of 5) Schematic Diagram

TH-42PV70L H-Board (5 of 5) Schematic Diagram

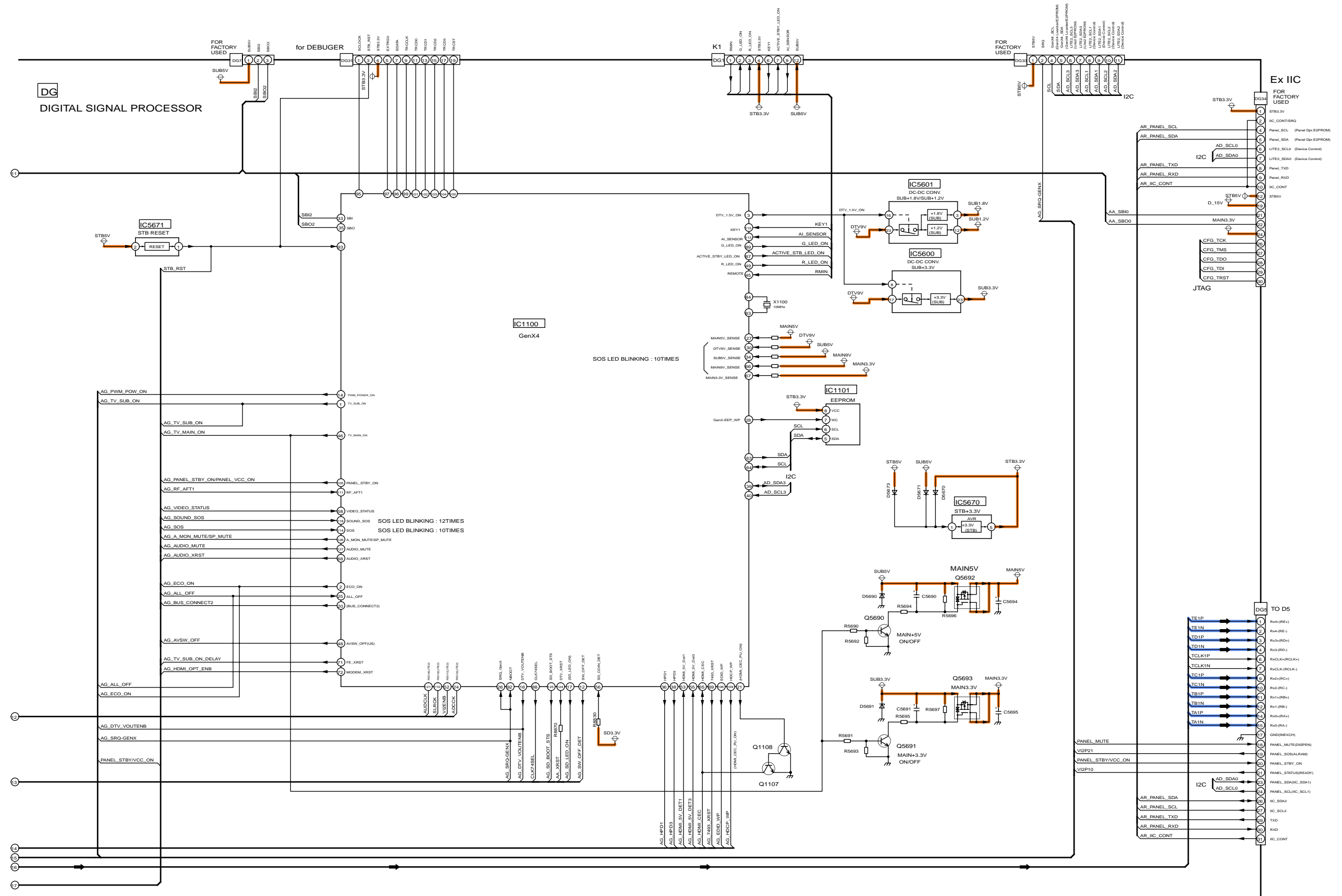
15.19. DG-Board (1 of 3) Block Diagram



TH-42PV70L
DG-Board (1 of 3) Block Diagram

TH-42PV70L
DG-Board (1 of 3) Block Diagram

15.21. DG-Board (3 of 3) Block Diagram



TH-42PV70L
DG-Board (3 of 3) Block Diagram

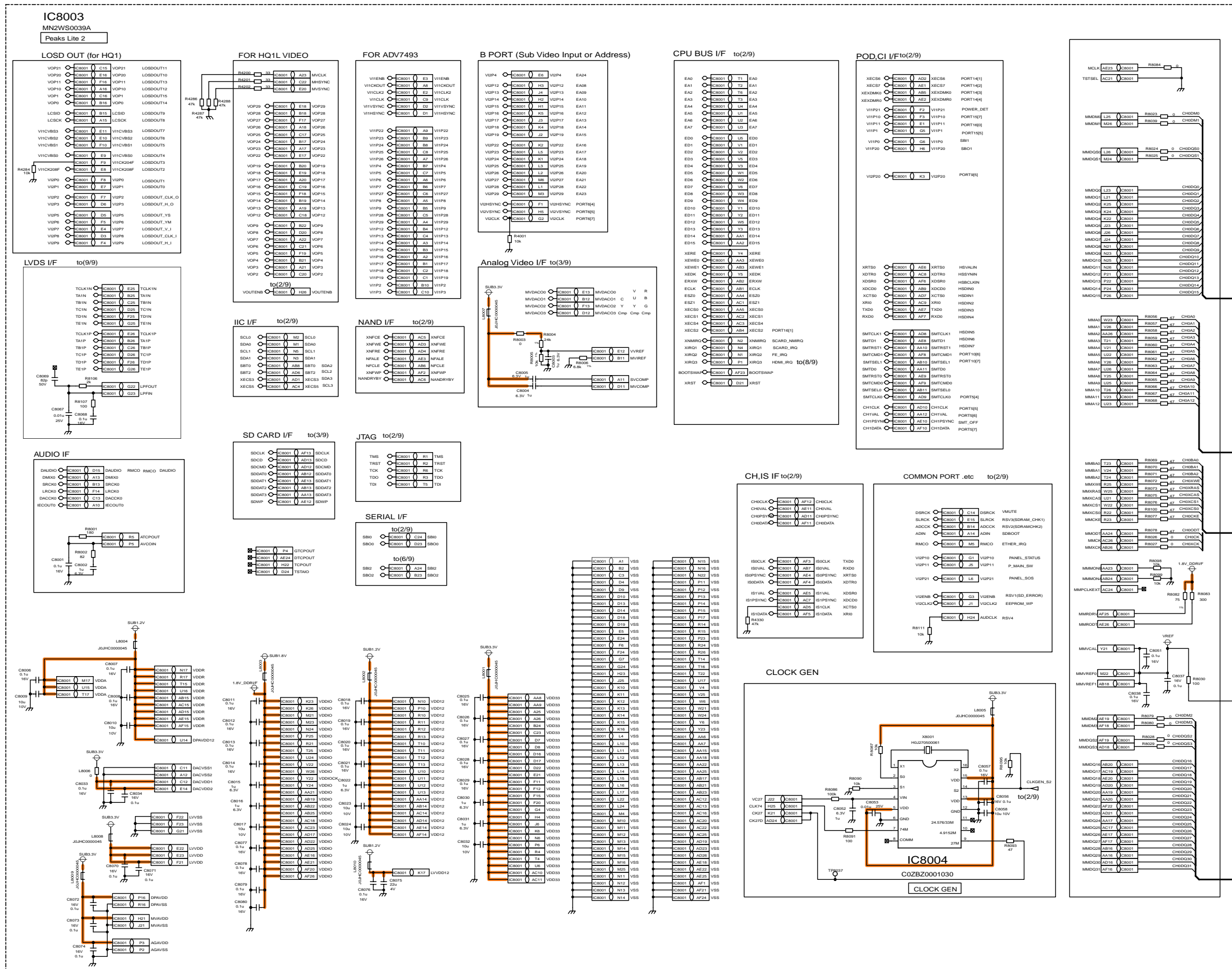
TH-42PV70L
DG-Board (3 of 3) Block Diagram

15.22. DG-Board (1 of 9) Schematic Diagram

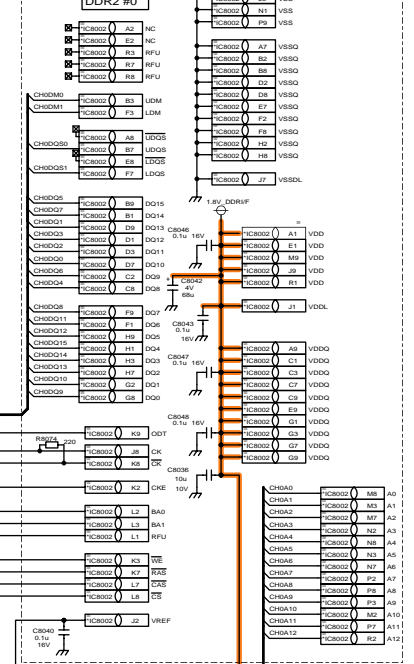
! DG-BOARD TXNDG1HNTL (1/9)

Peaks-Lite2/DDR2
CRNo.8000-8299

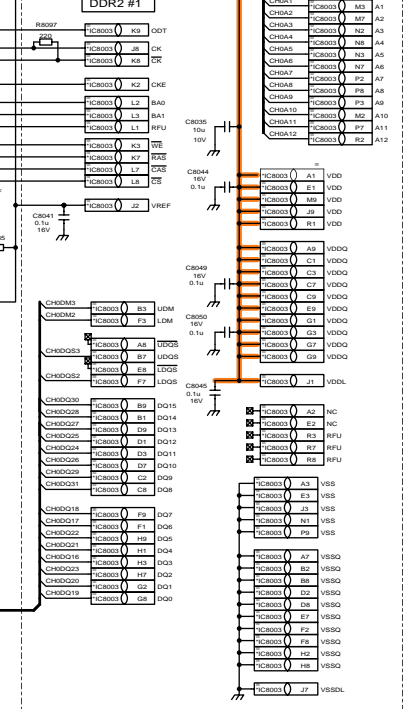
A
B
C
D
E
F



IC8002
C3ABRG00080
DDR2 #0



IC8003
C3ABRG00080
DDR2 #1



TH-42PV70L
DG-Board (1 of 9) Schematic Diagram

TH-42PV70L
DG-Board (1 of 9) Schematic Diagram

1

2

3

4

5

6

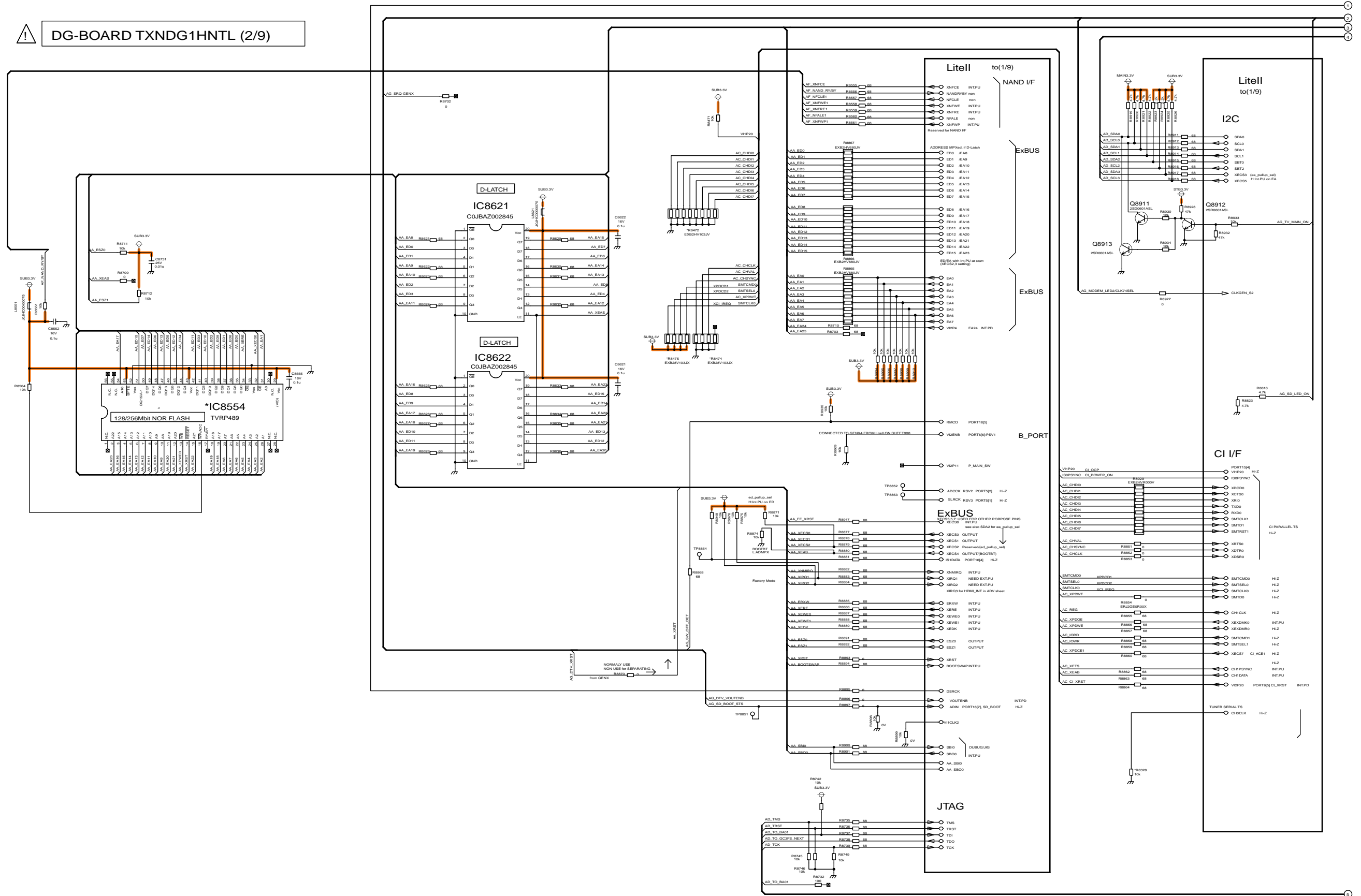
7

8

9

15.23. DG-Board (2 of 9) Schematic Diagram

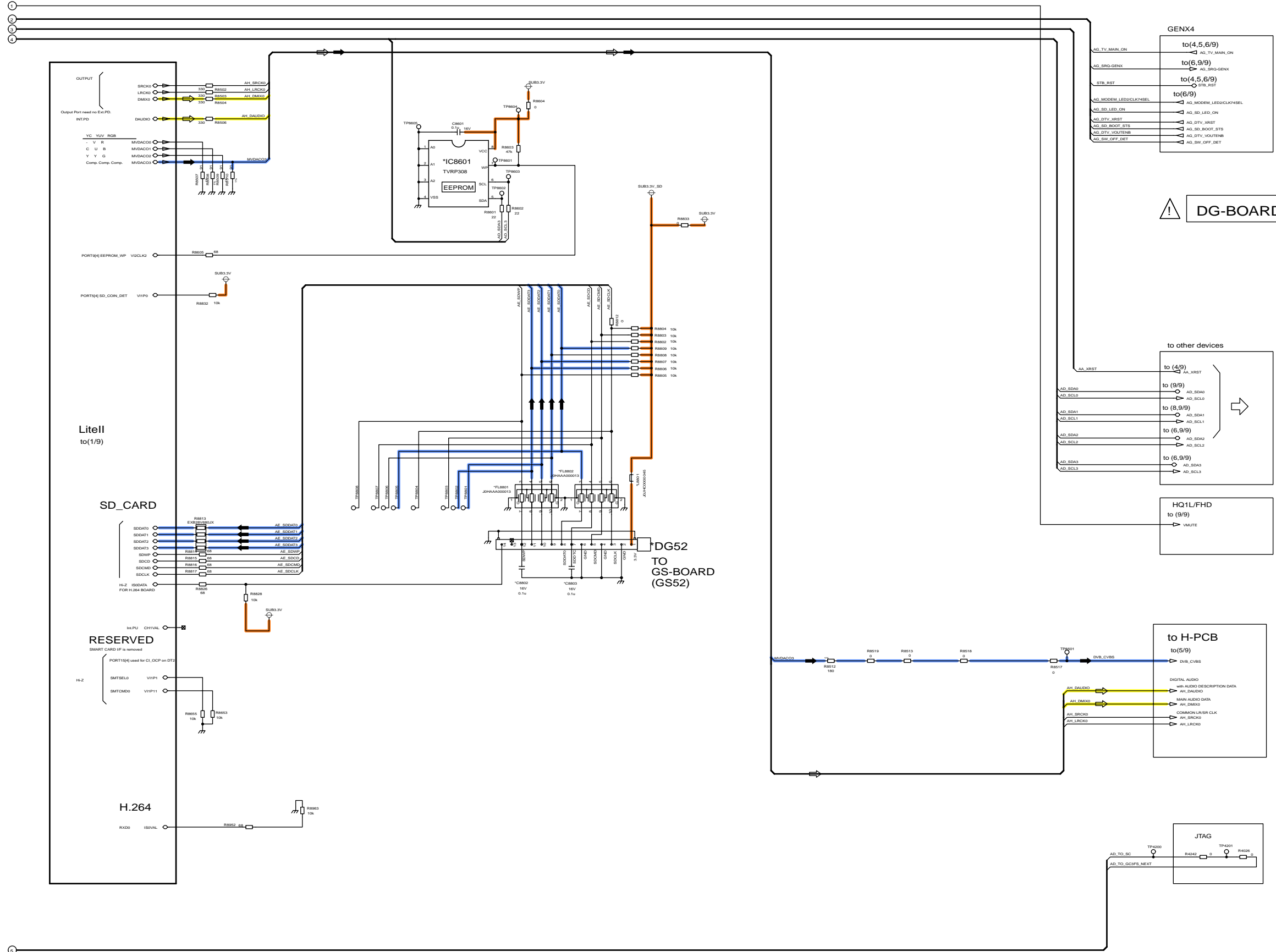
! DG-BOARD TXNDG1HNTL (2/9)



TH-42PV70L
DG-Board (2 of 9) Schematic Diagram

TH-42PV70L
DG-Board (2 of 9) Schematic Diagram

15.24. DG-Board (3 of 9) Schematic Diagram



DG-BOARD TXNDG1HNTL (3/9)

- CRNo.8300-8999
- FE 8300-8399
- CI 8400-8499
- AV_OUT 8500-8549
- NAND/NOR 8550-8599
- EEPROM 8600-8619
- D-LATCH 8620-8649
- SMART_CARD 8650-8699
- SUPPORT_CARD 8700-8799
- SD_CARD 8800-8849
- MPEG 8850-8949
- MODEM 8950-8999

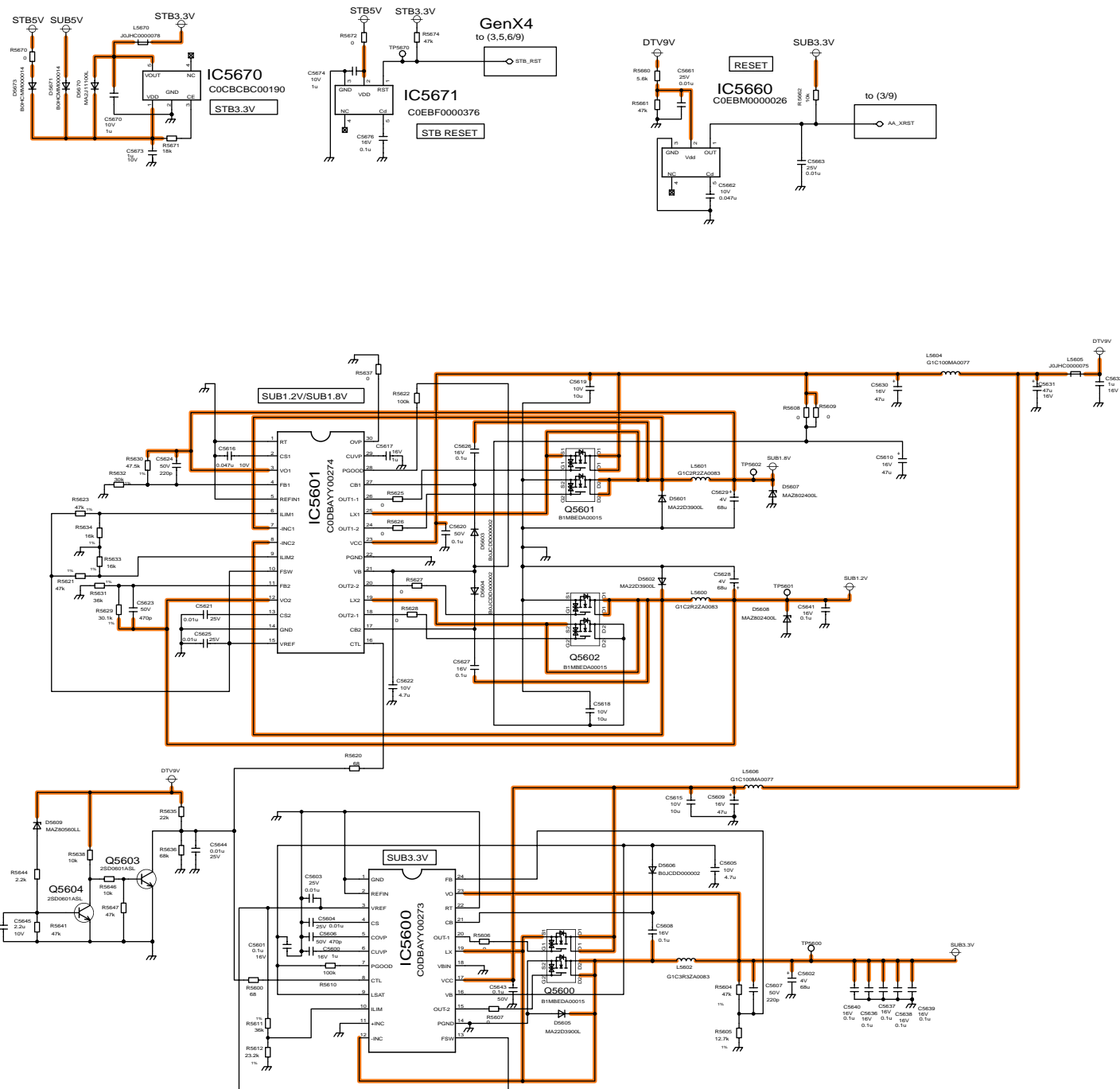
TH-42PV70L
DG-Board (3 of 9) Schematic Diagram

TH-42PV70L
DG-Board (3 of 9) Schematic Diagram

15.25. DG-Board (4 of 9) Schematic Diagram

! DG-BOARD TXNDG1HNTL (4/9)

CRNo.5600-5749
 Peaks-LITE2 POWER 5600-5659
 Peaks-LITE2 RST 5660-5669
 GenX4 POWER/RST 5670-5689
 MAIN5V/MAIN3.3V 5690-5709
 DG-H Connector 5710-5729
 DG-G Connector 5730-5749



TH-42PV70L
 DG-Board (4 of 9) Schematic Diagram

28

29

30

31

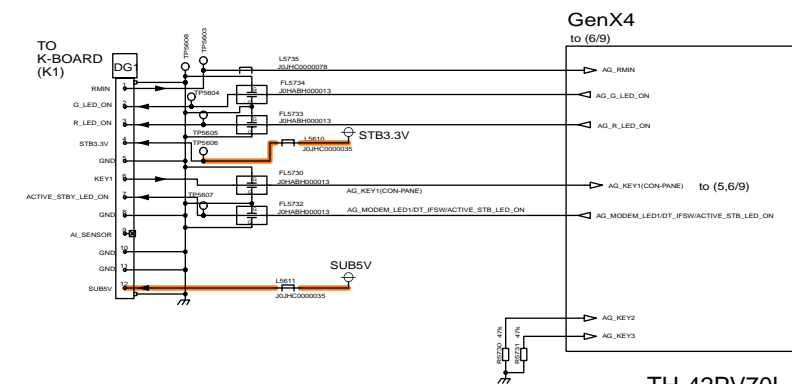
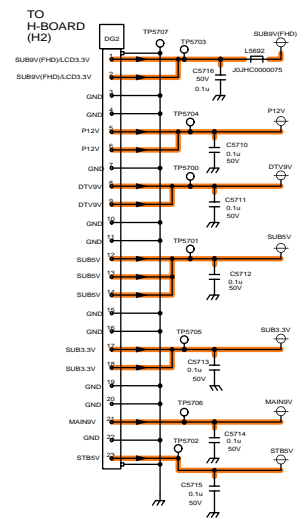
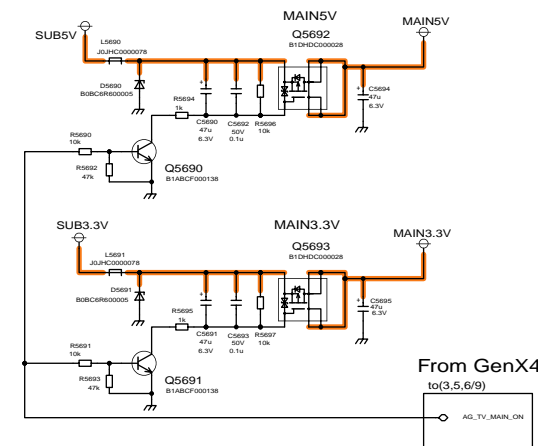
32

33

34

35

36

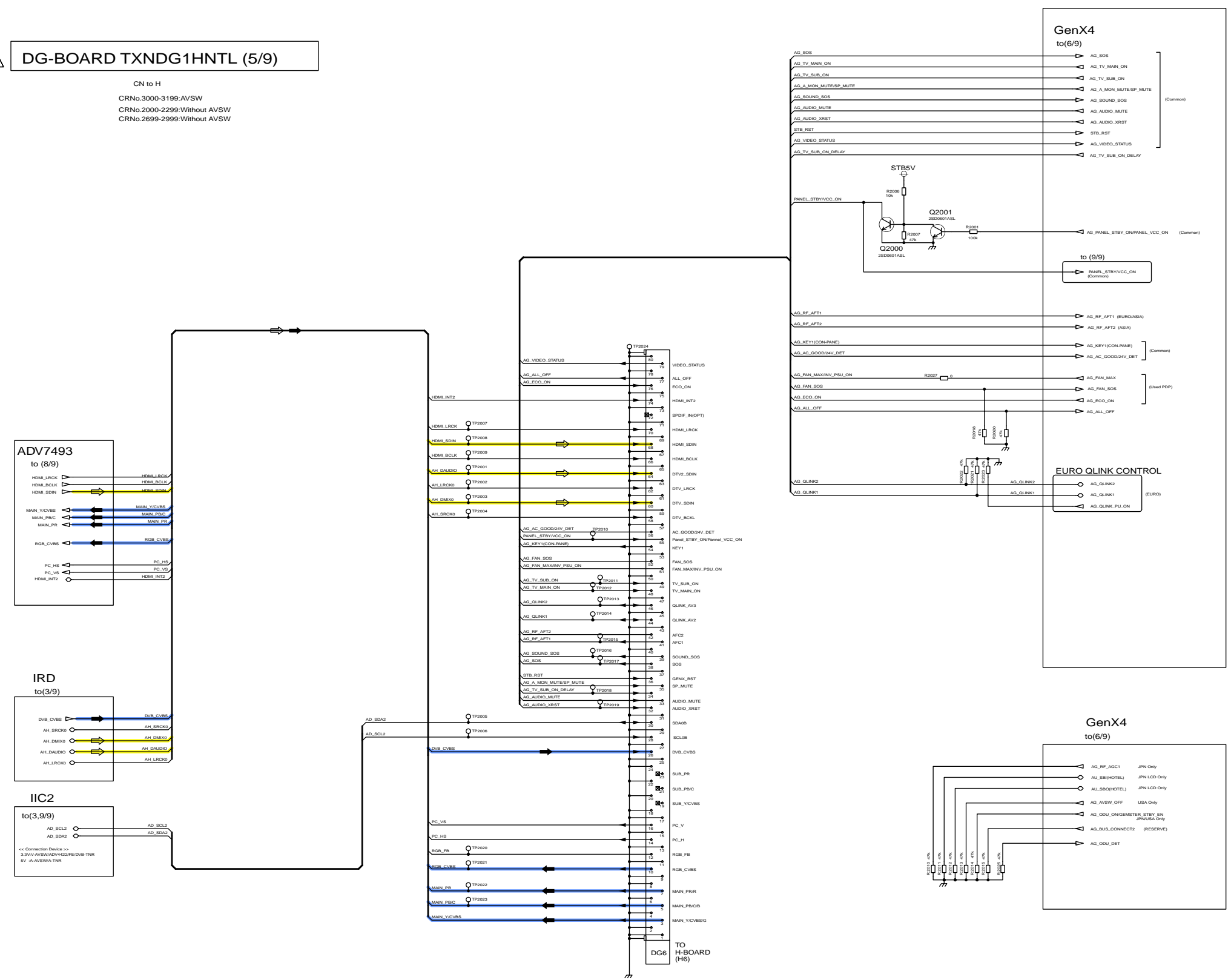


TH-42PV70L
 DG-Board (4 of 9) Schematic Diagram

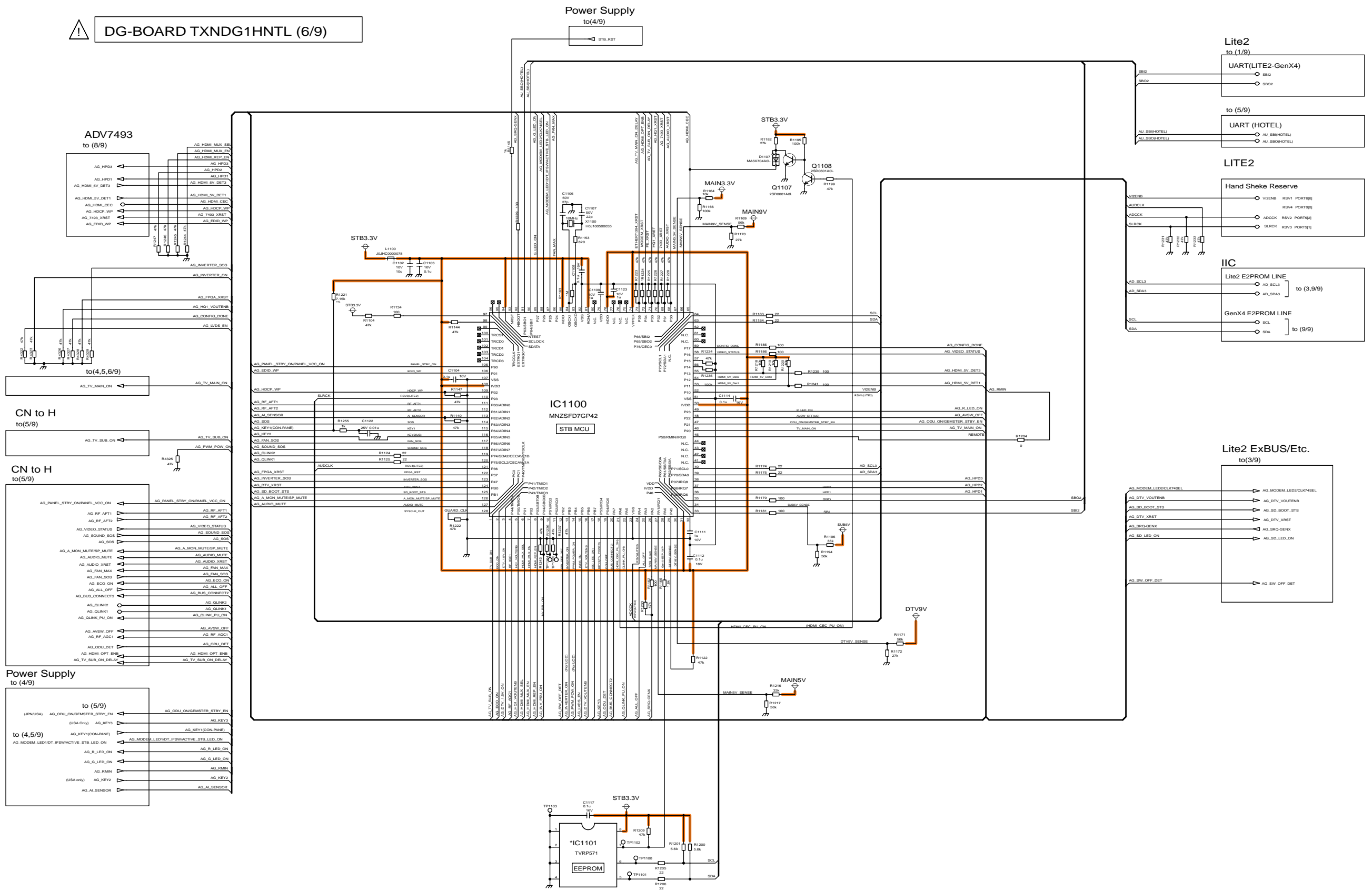
15.26. DG-Board (5 of 9) Schematic Diagram

DG-BOARD TXNDG1HNTL (5/9)

CN to H
CRNo.3000-3199:AVSW
CRNo.2000-2299:Without AVSW
CRNo.2699-2999:Without AVSW



15.27. DG-Board (6 of 9) Schematic Diagram



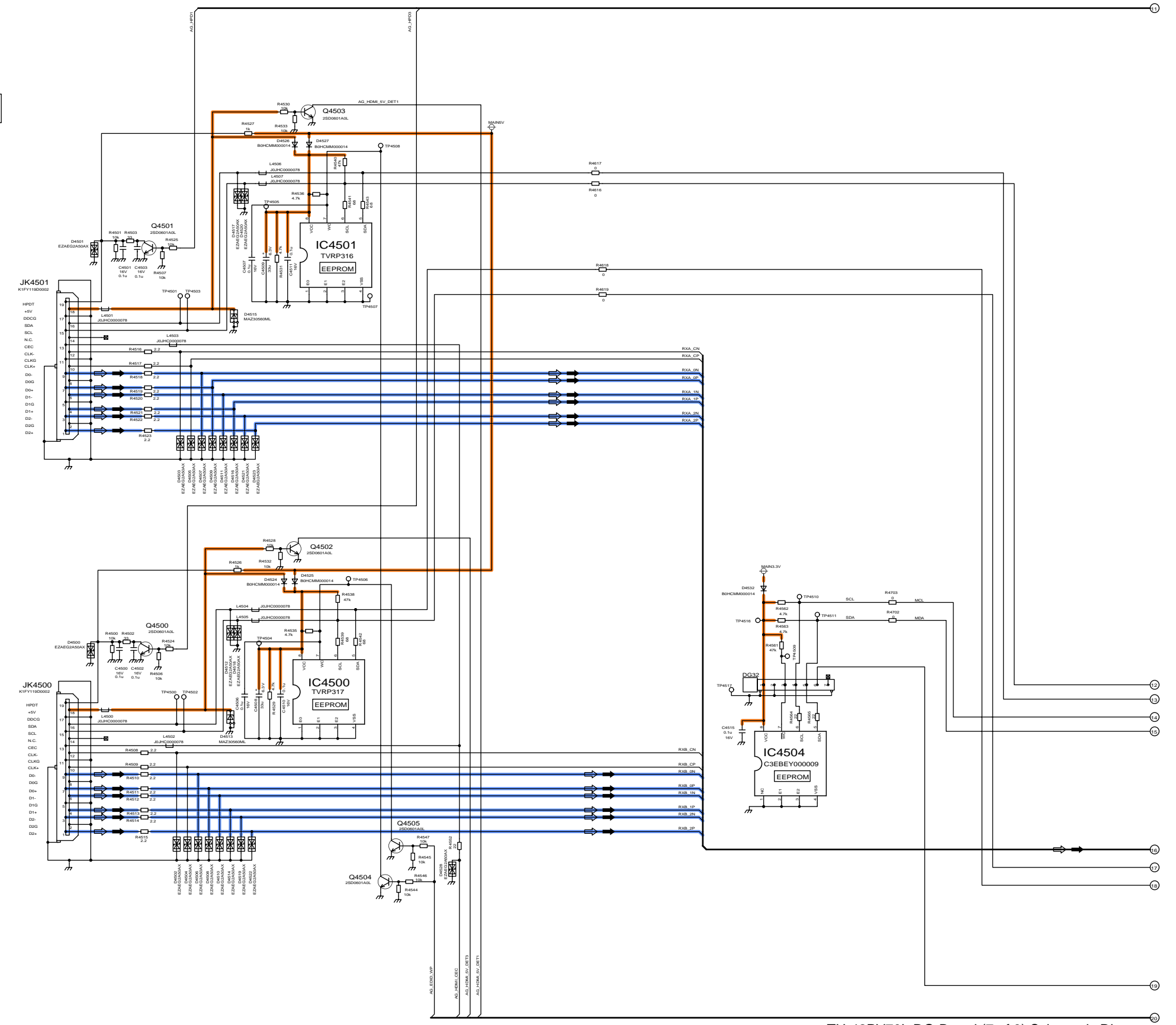
TH-42PV70L DG-Board (6 of 9) Schematic Diagram

TH-42PV70L DG-Board (6 of 9) Schematic Diagram

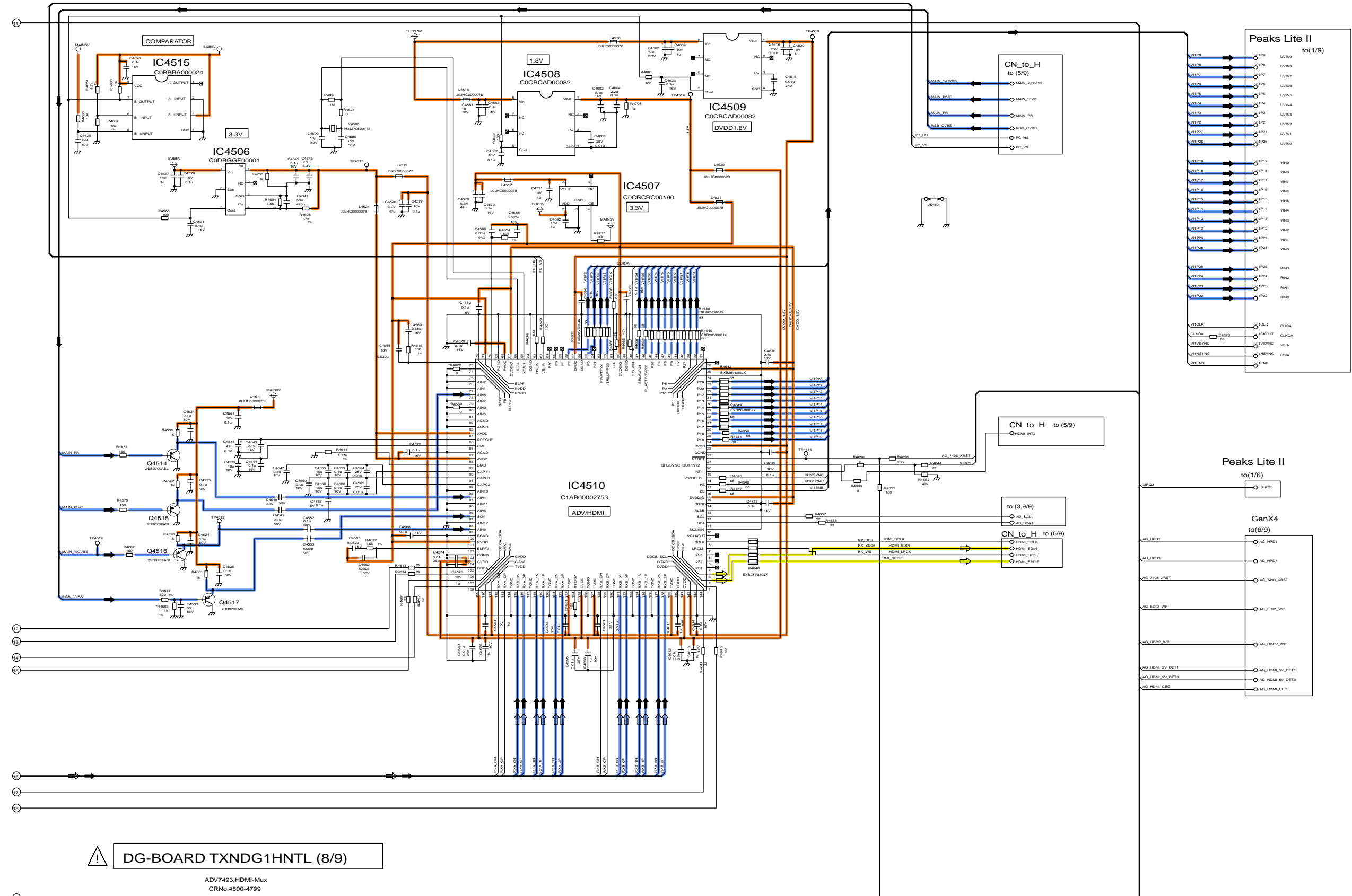
15.28. DG-Board (7 of 9) Schematic Diagram

DG-BOARD TXNDG1HNTL (7/9)

ADV7493.HDMI-Mux
CRNo.4500-4799



15.29. DG-Board (8 of 9) Schematic Diagram



⚠ **DG-BOARD TXNDG1HNTL (8/9)**

ADV7493.HDMI-Mux
CRNo.4500-4799

TH-42PV70L DG-Board (8 of 9) Schematic Diagram

TH-42PV70L
DG-Board (8 of 9) Schematic Diagram

64

65

66

67

68

69

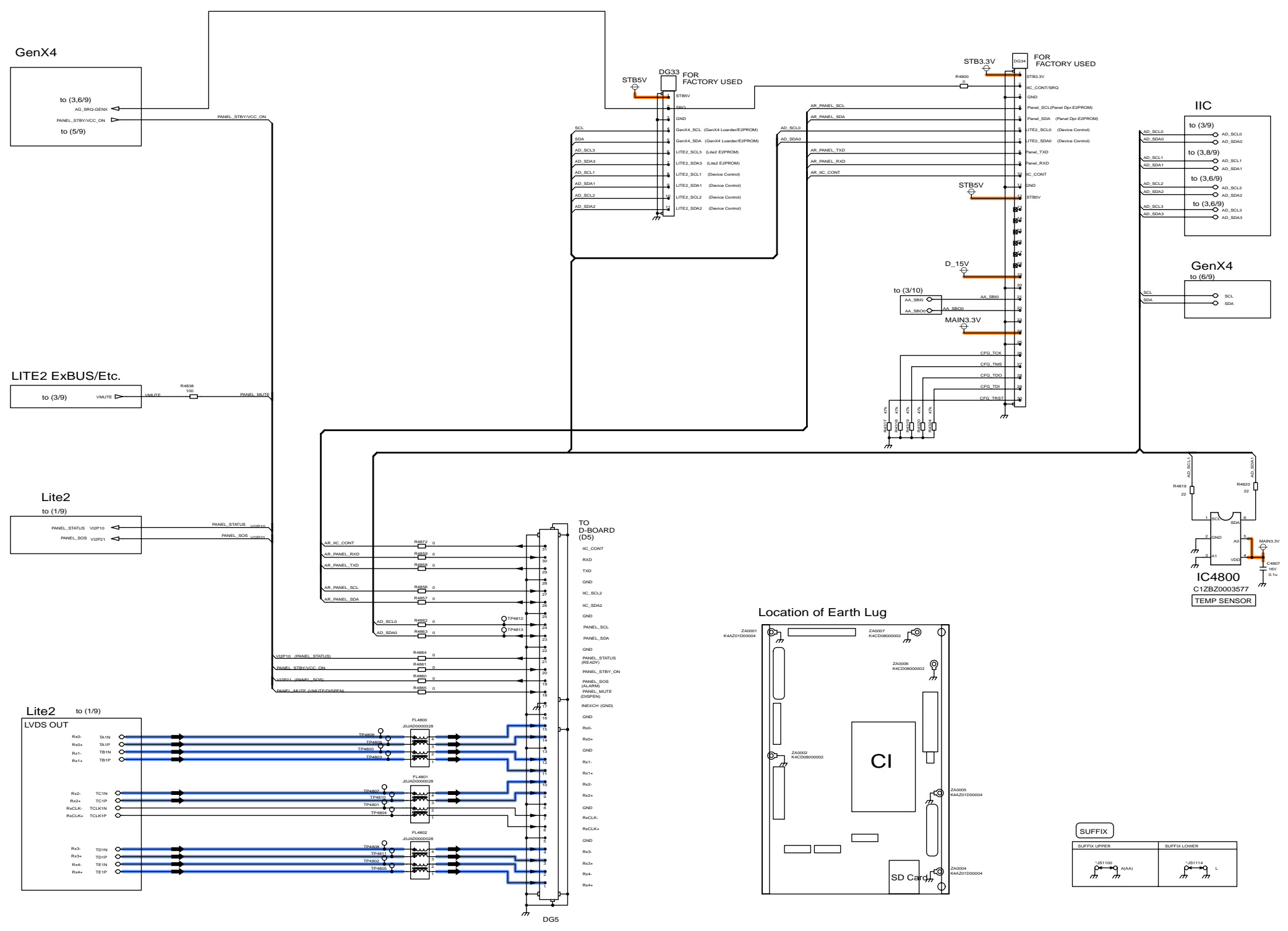
70

71

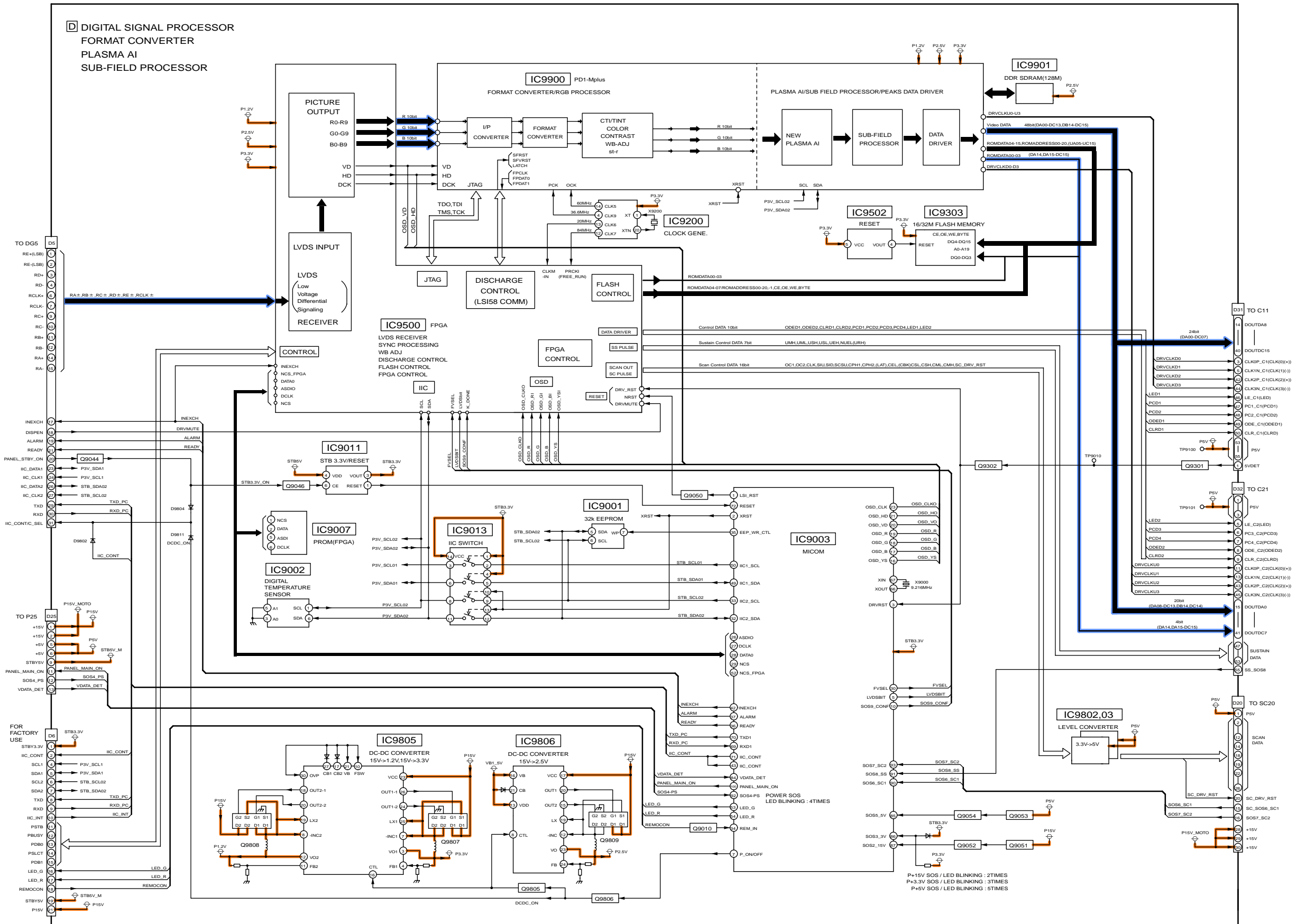
72

15.30. DG-Board (9 of 9) Schematic Diagram

! DG-BOARD TXNDG1HNTL (9/9)



15.31. D-Board Block Diagram



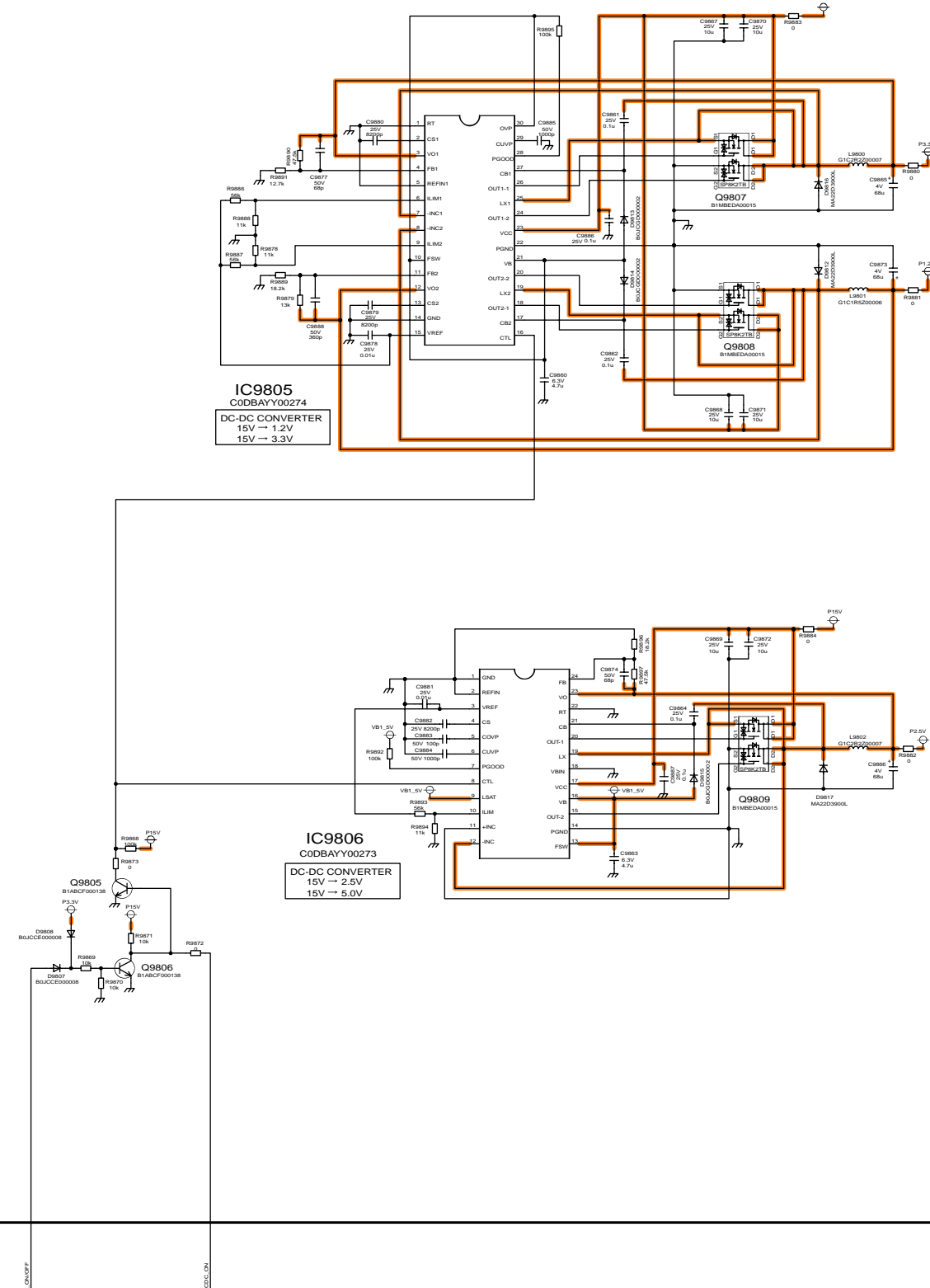
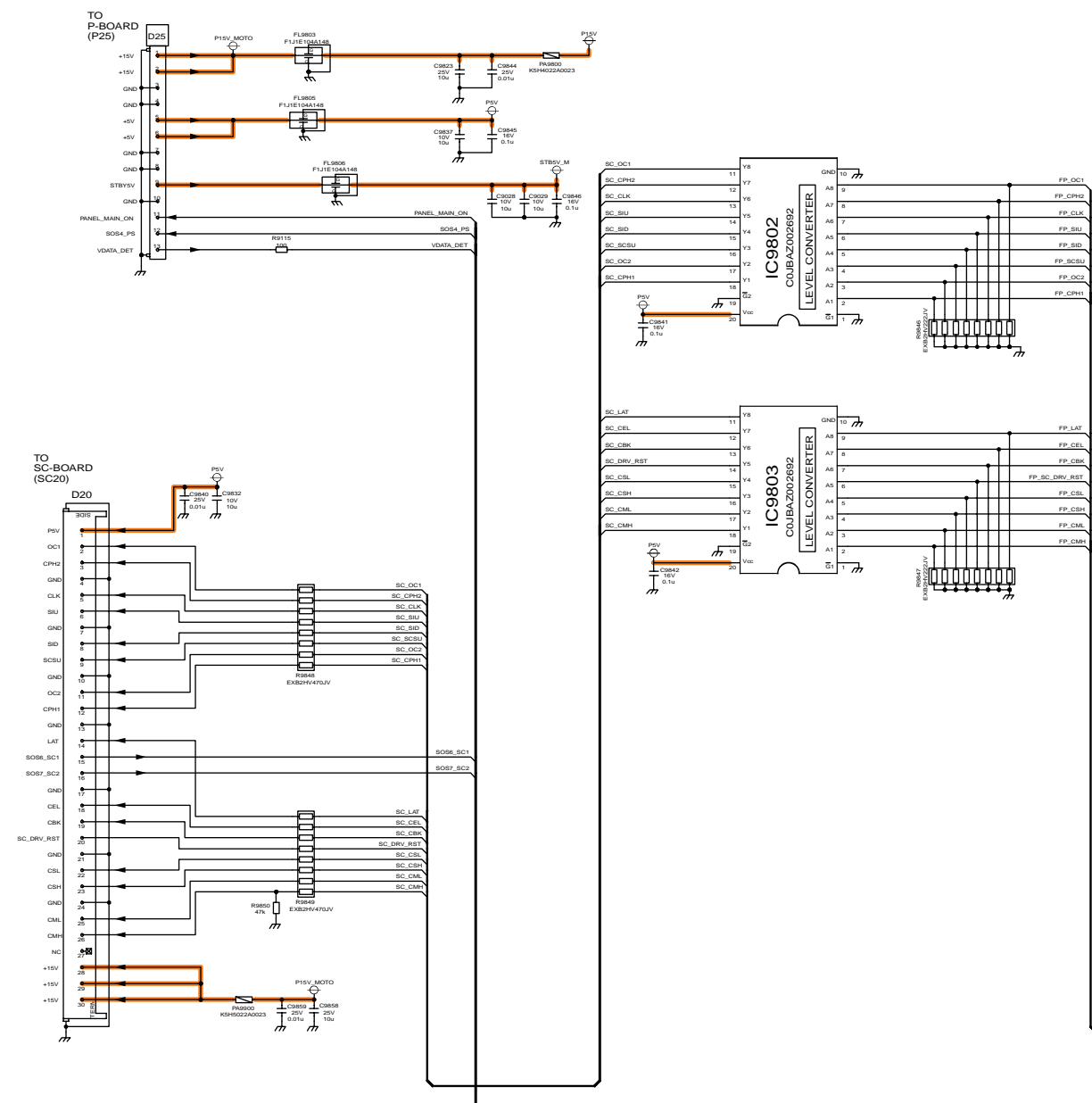
TH-42PV70L
D-Board Block Diagram

TH-42PV70L
D-Board Block Diagram

15.32. D-Board (1 of 6) Schematic Diagram

A
B
C
D
E
F

 **D-BOARD (1/6)**
TZTNP01HNTL



TH-42PV70L
D-Board (1 of 6) Schematic Diagram

TH-42PV70L
D-Board (1 of 6) Schematic Diagram

1

2

3

4

5

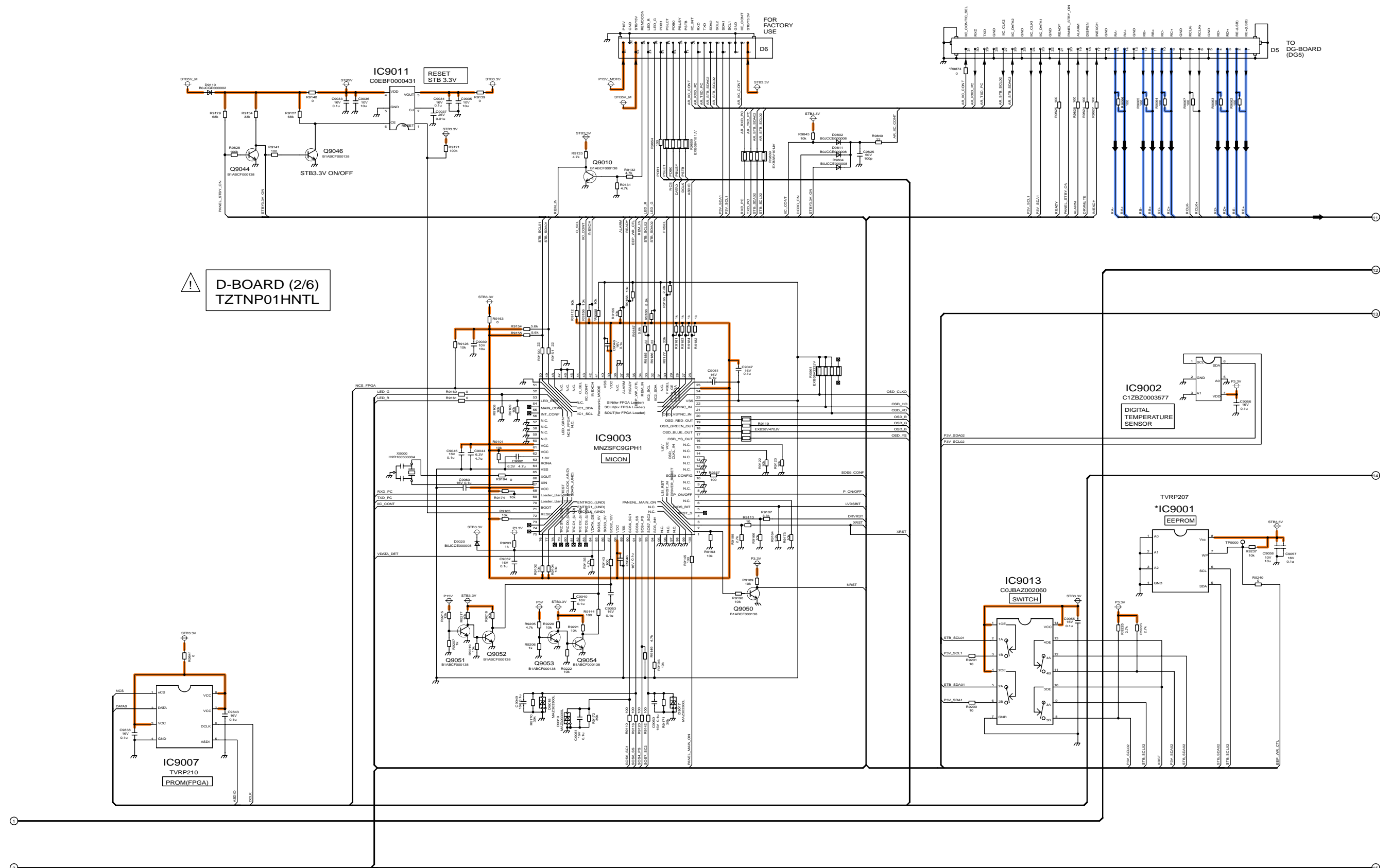
6

7

8

9

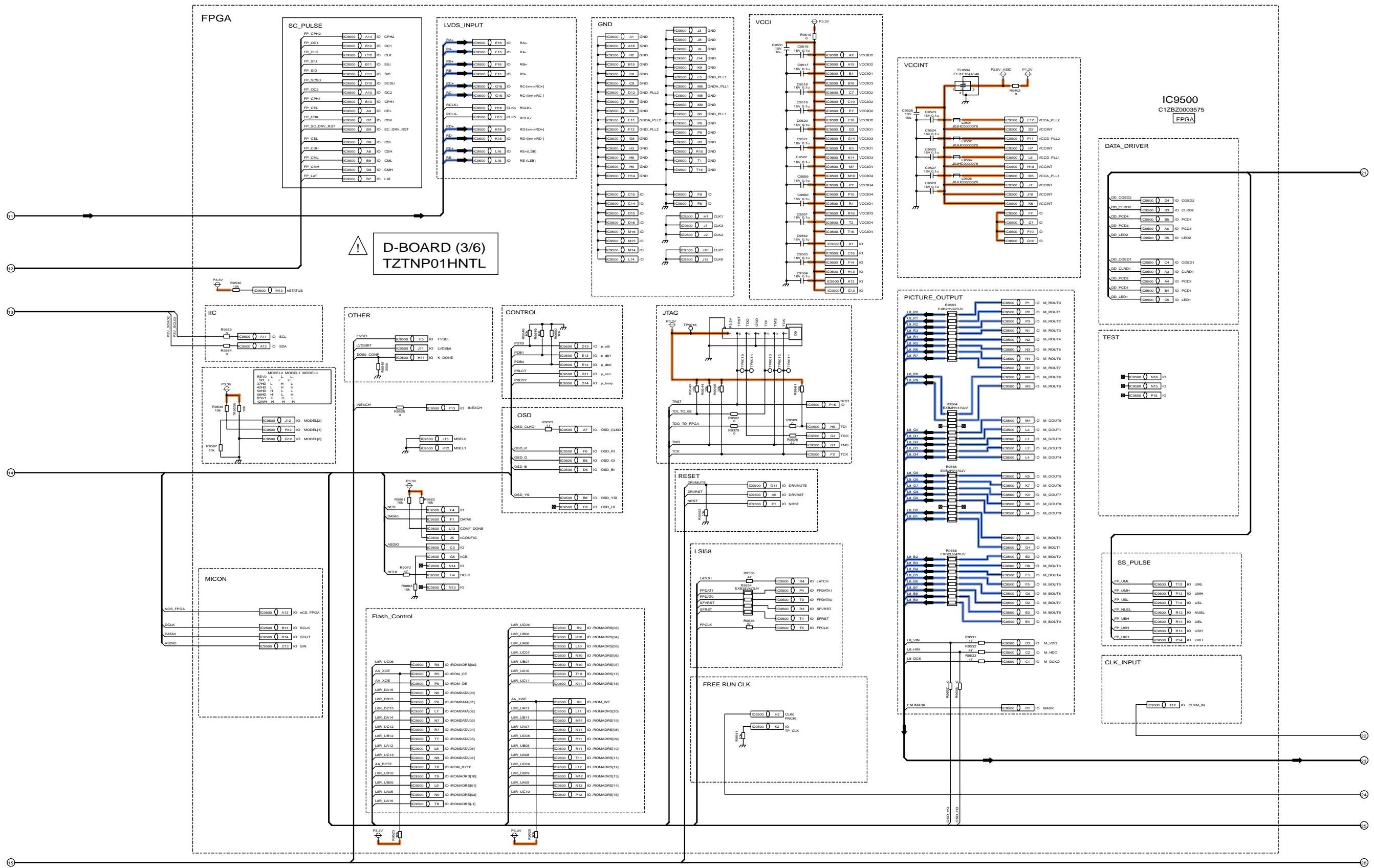
15.33. D-Board (2 of 6) Schematic Diagram



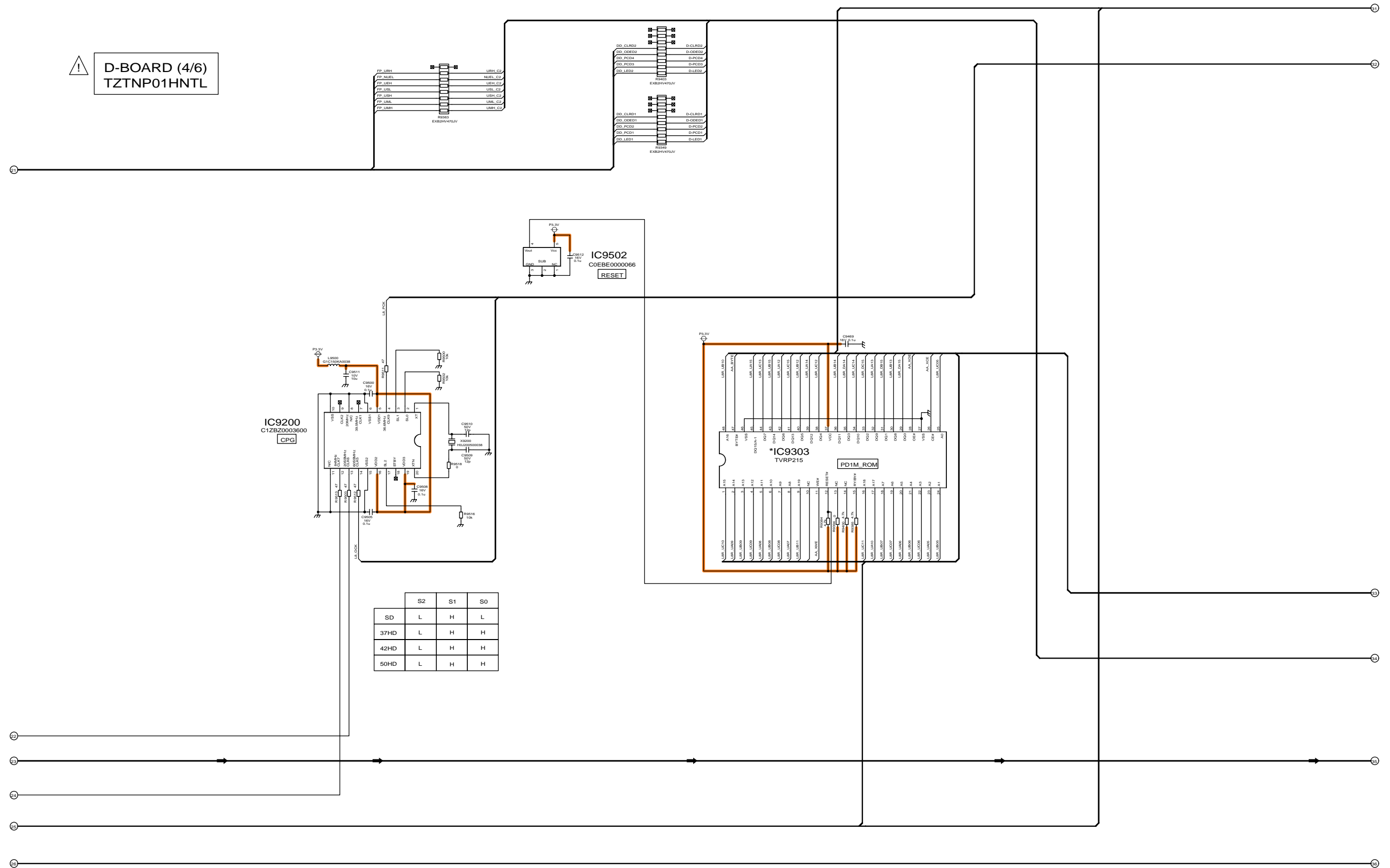
TH-42PV70L
D-Board (2 of 6) Schematic Diagram

TH-42PV70L
D-Board (2 of 6) Schematic Diagram

15.34. D-Board (3 of 6) Schematic Diagram



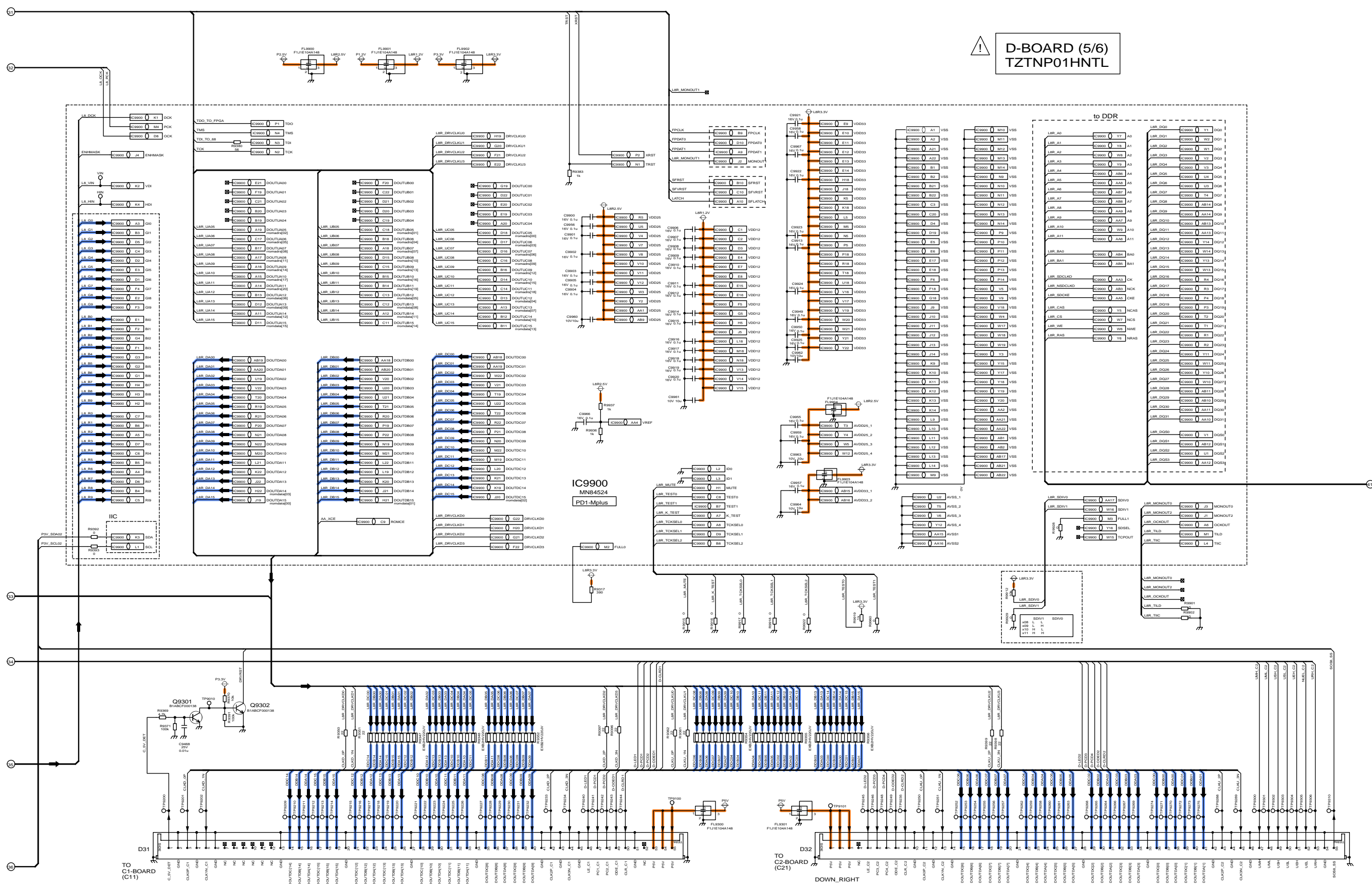
15.35. D-Board (4 of 6) Schematic Diagram



TH-42PV70L
D-Board (4 of 6) Schematic Diagram

TH-42PV70L
D-Board (4 of 6) Schematic Diagram

15.36. D-Board (5 of 6) Schematic Diagram



D-BOARD (5/6)
TZTNP01HNTL

TH-42PV70L
D-Board (5 of 6) Schematic Diagram

TH-42PV70L
D-Board (5 of 6) Schematic Diagram

37

38

39

40

41

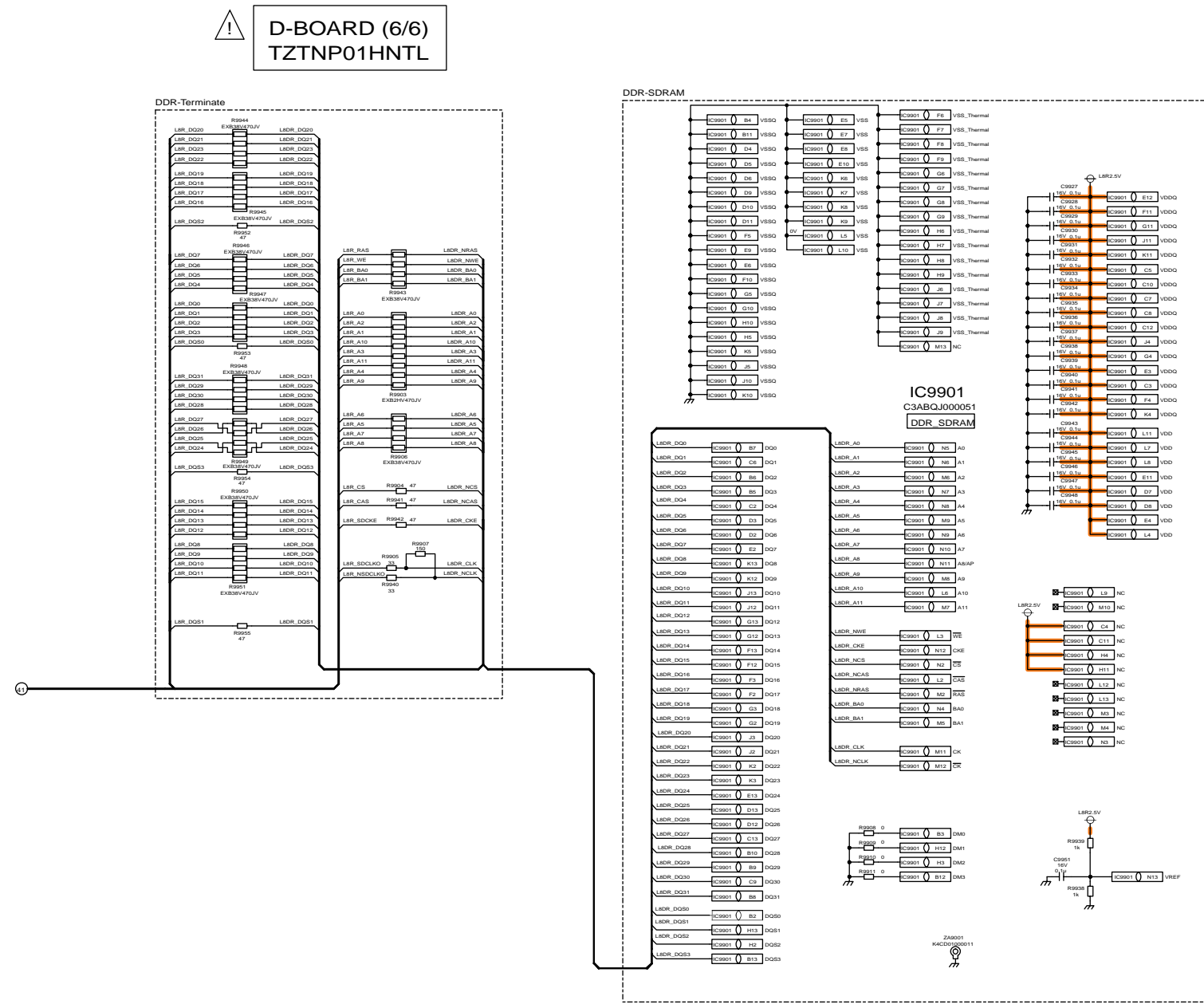
42

43

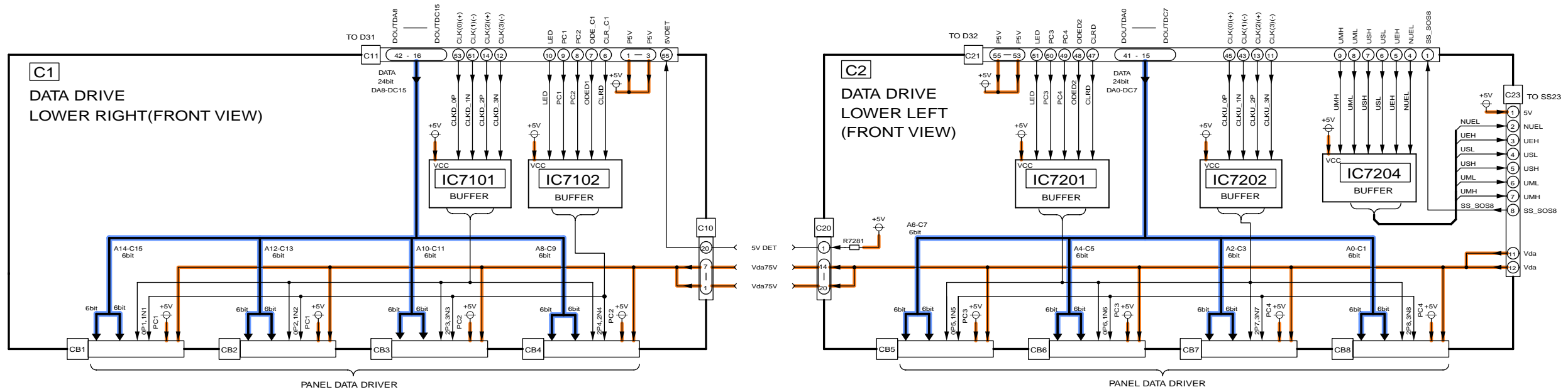
44

45

15.37. D-Board (6 of 6) Schematic Diagram



15.38. C1 and C2-Board Block Diagram



TH-42PV70L
C1 and C2-Board Block Diagram

TH-42PV70L
C1 and C2-Board Block Diagram

15.39. C1-Board (1 of 2) Schematic Diagram

⚠ C1-BOARD TNPA4165 (1/2)

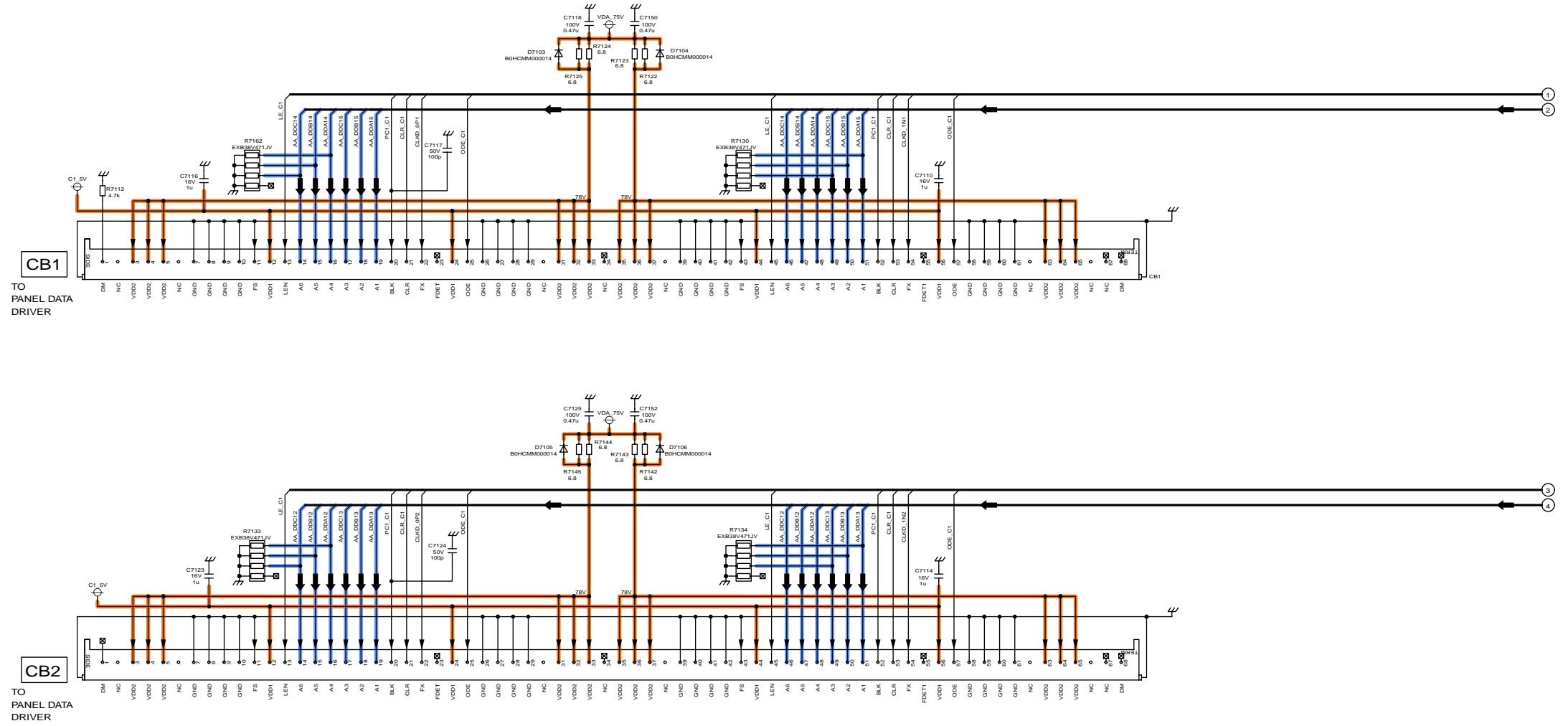
A

B

C

D

E



TH-42PV70L
C1-Board (1 of 2) Schematic Diagram

TH-42PV70L
C1-Board (1 of 2) Schematic Diagram

1

2

3

4

5

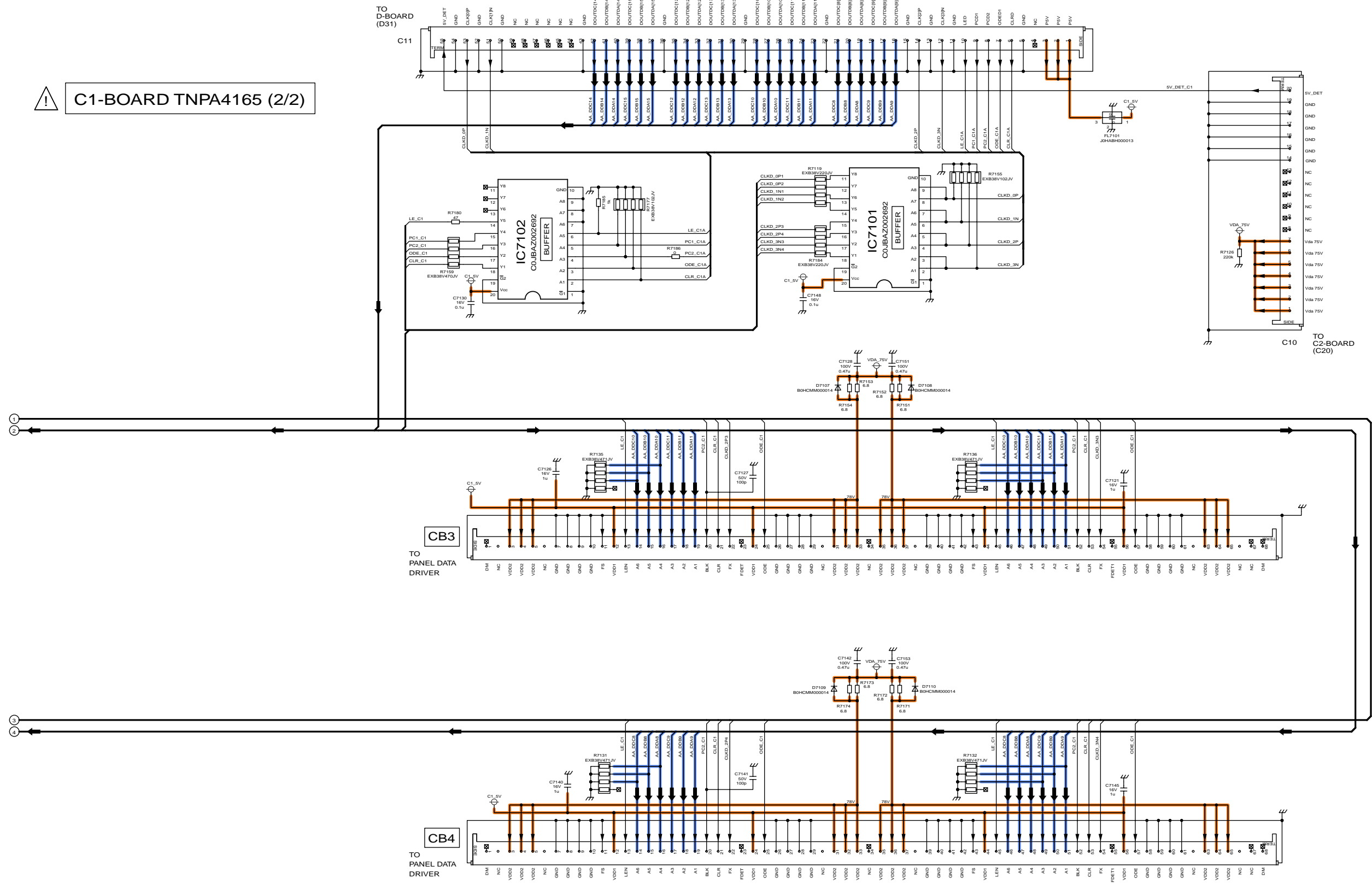
6

7

8

15.40. C1-Board (2 of 2) Schematic Diagram

C1-BOARD TNPA4165 (2/2)

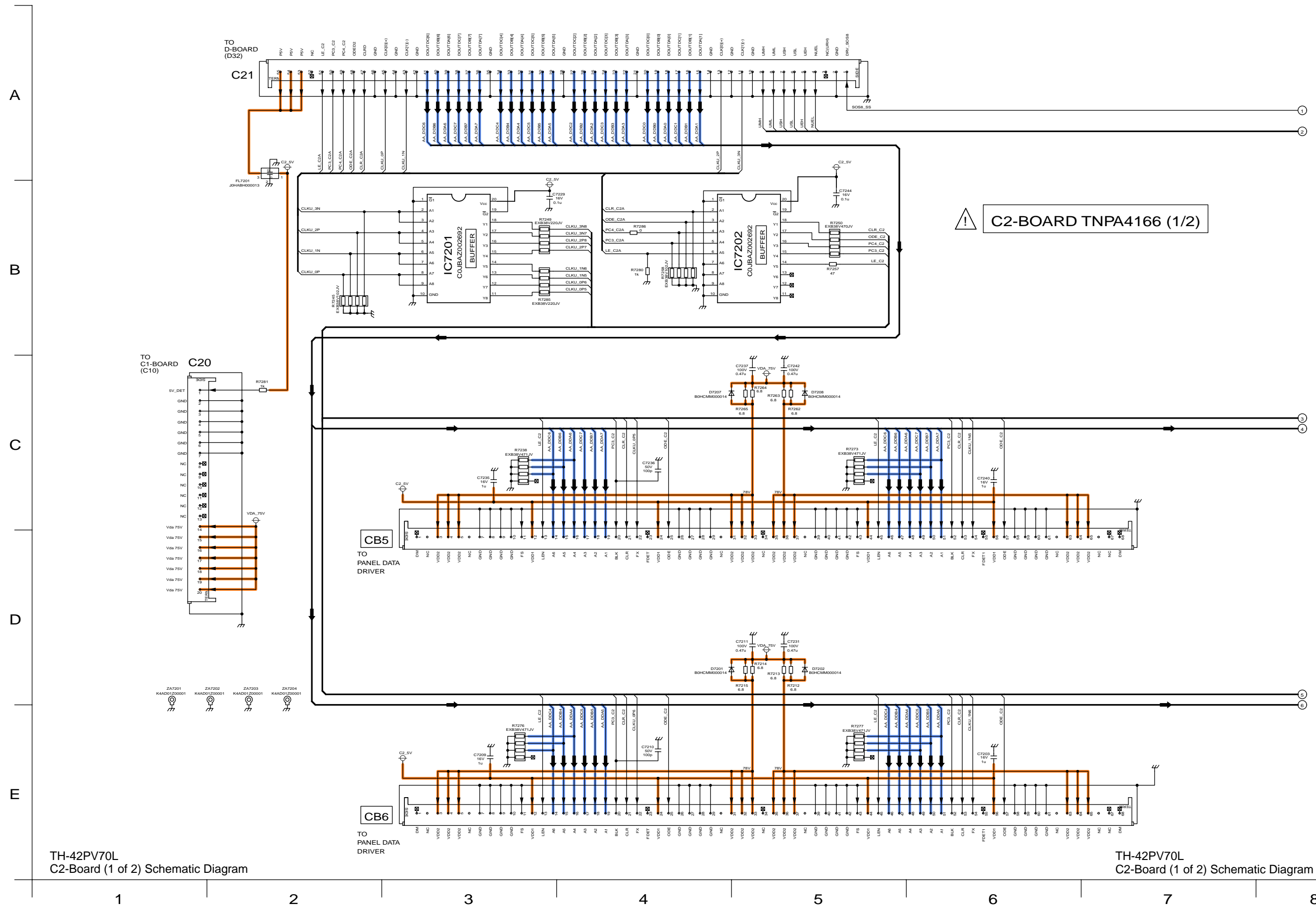


TH-42PV70L
C1-Board (2 of 2) Schematic Diagram

TH-42PV70L
C1-Board (2 of 2) Schematic Diagram

8 9 10 11 12 13 14 15

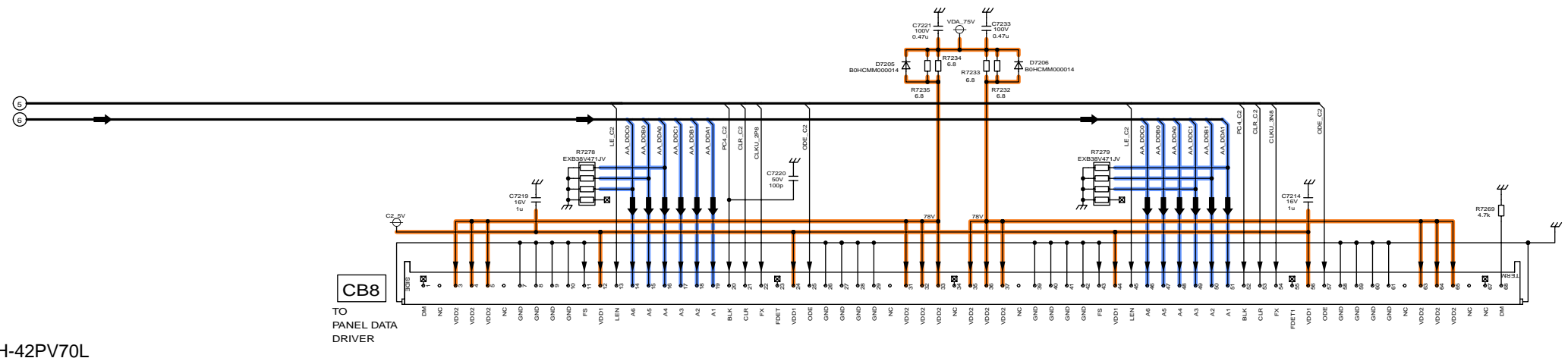
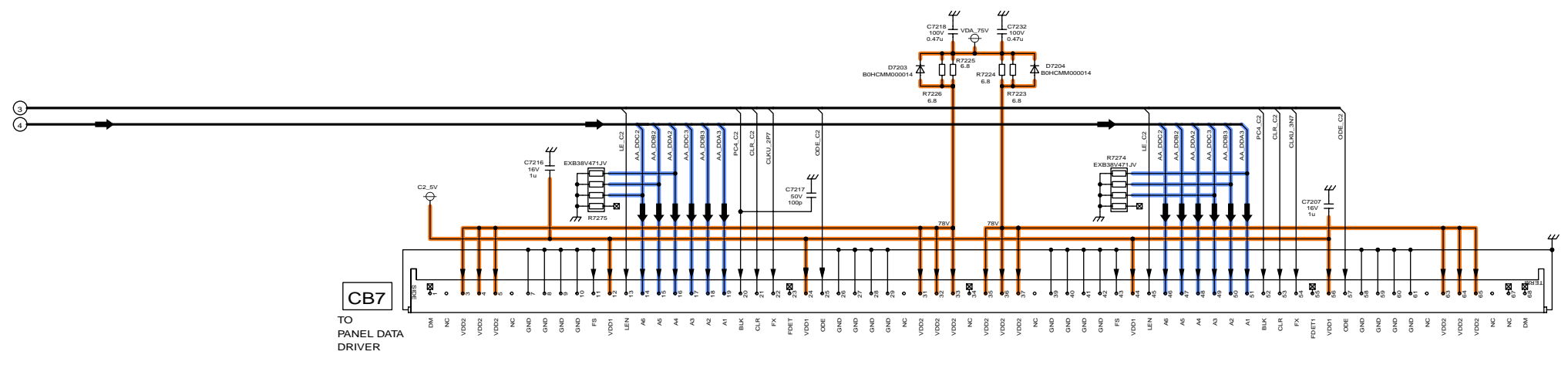
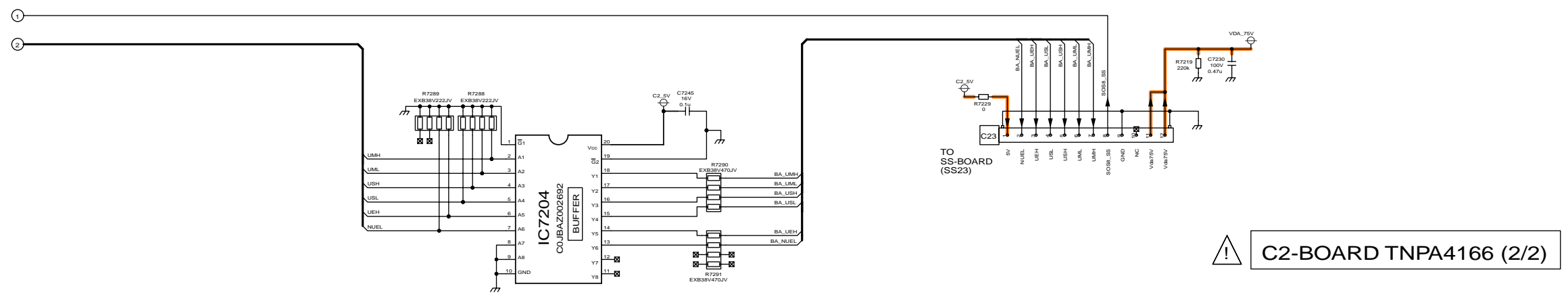
15.41. C2-Board (1 of 2) Schematic Diagram



TH-42PV70L
C2-Board (1 of 2) Schematic Diagram

TH-42PV70L
C2-Board (1 of 2) Schematic Diagram

15.42. C2-Board (2 of 2) Schematic Diagram

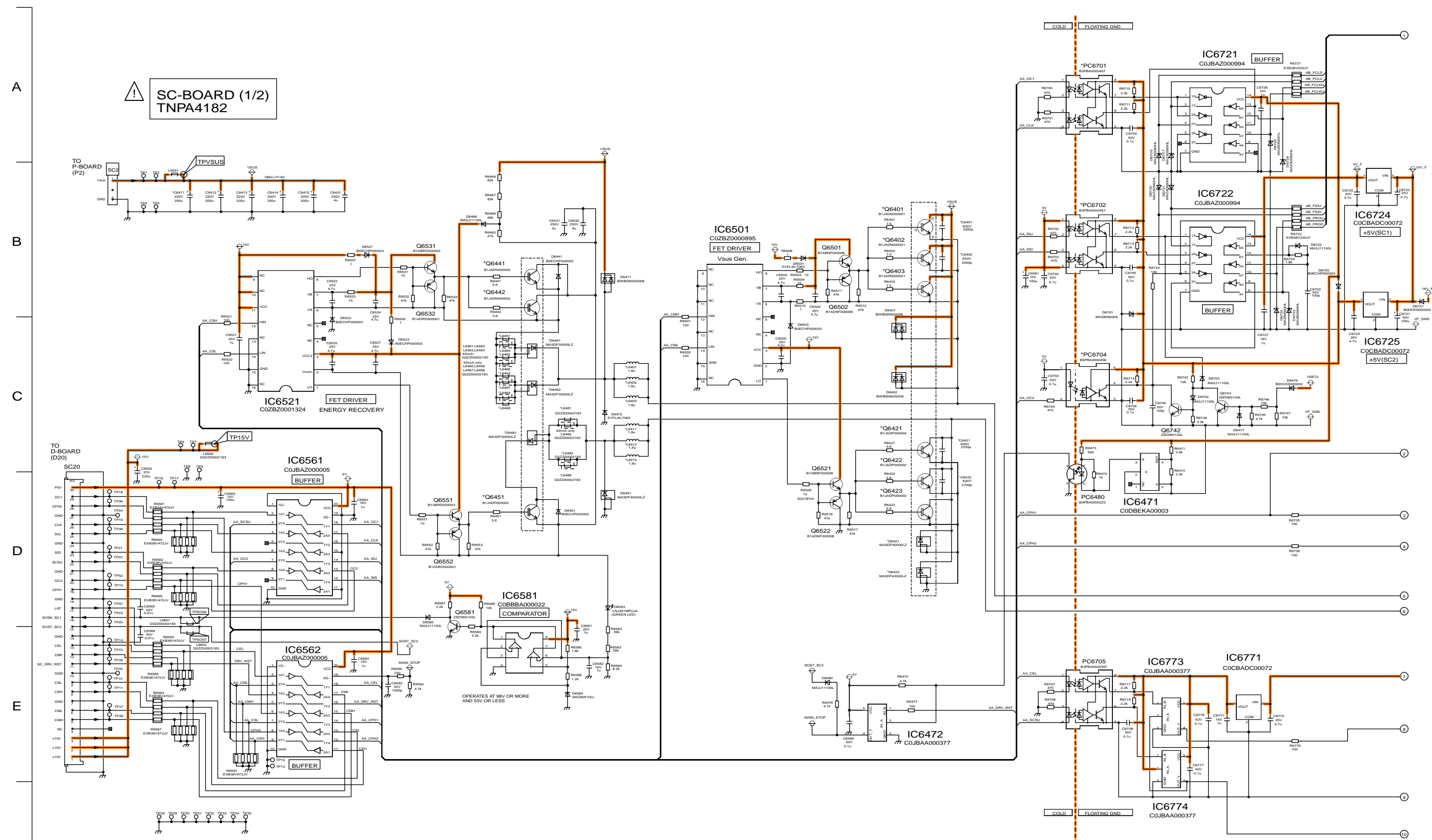


TH-42PV70L
C2-Board (2 of 2) Schematic Diagram

TH-42PV70L
C2-Board (2 of 2) Schematic Diagram

8 9 10 11 12 13 14 15

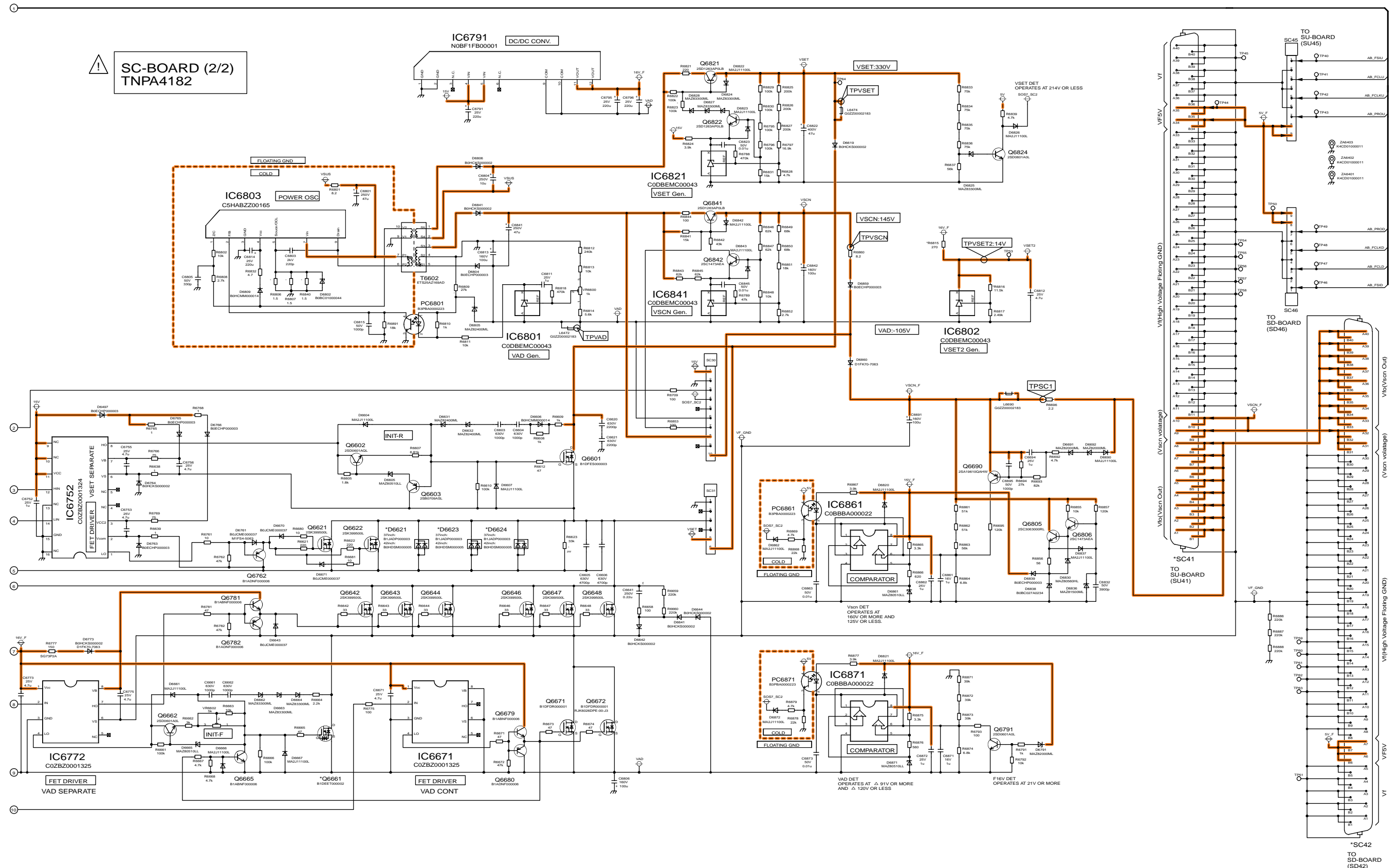
15.44. SC-Board (1 of 2) Schematic Diagram



TH-42PV70L
SC-Board (1 of 2) Schematic Diagram

TH-42PV70L
SC-Board (1 of 2) Schematic Diagram

15.45. SC-Board (2 of 2) Schematic Diagram



TH-42PV70L SC-Board (2 of 2) Schematic Diagram

TH-42PV70L SC-Board (2 of 2) Schematic Diagram

10

11

12

13

14

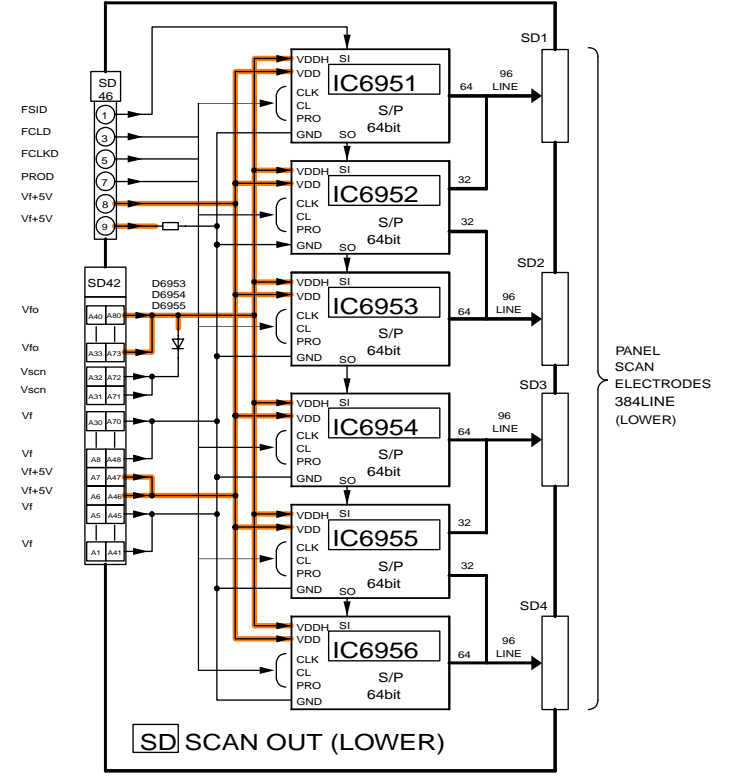
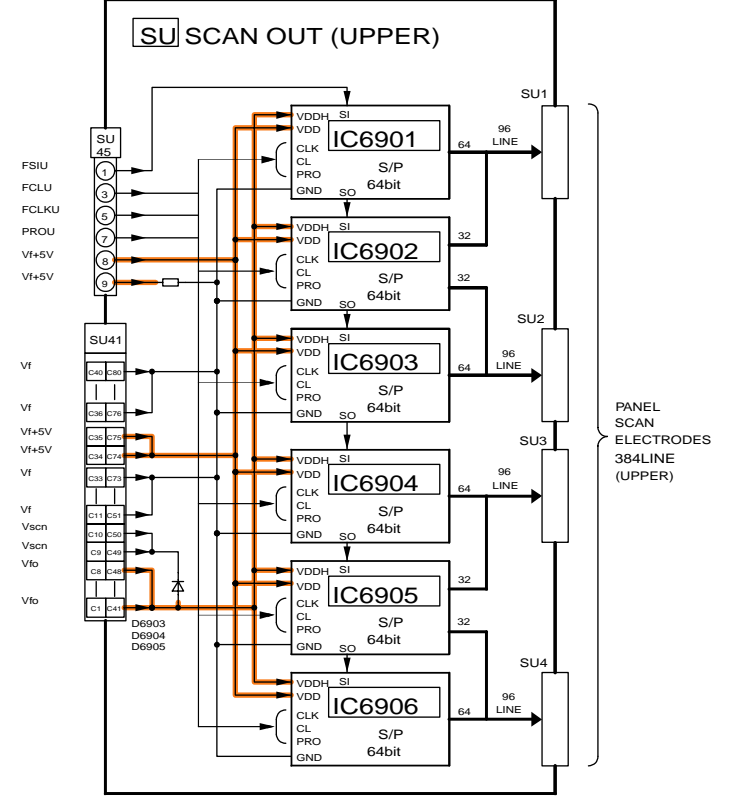
15

16

17

18

15.46. SU and SD-Board Block Diagram

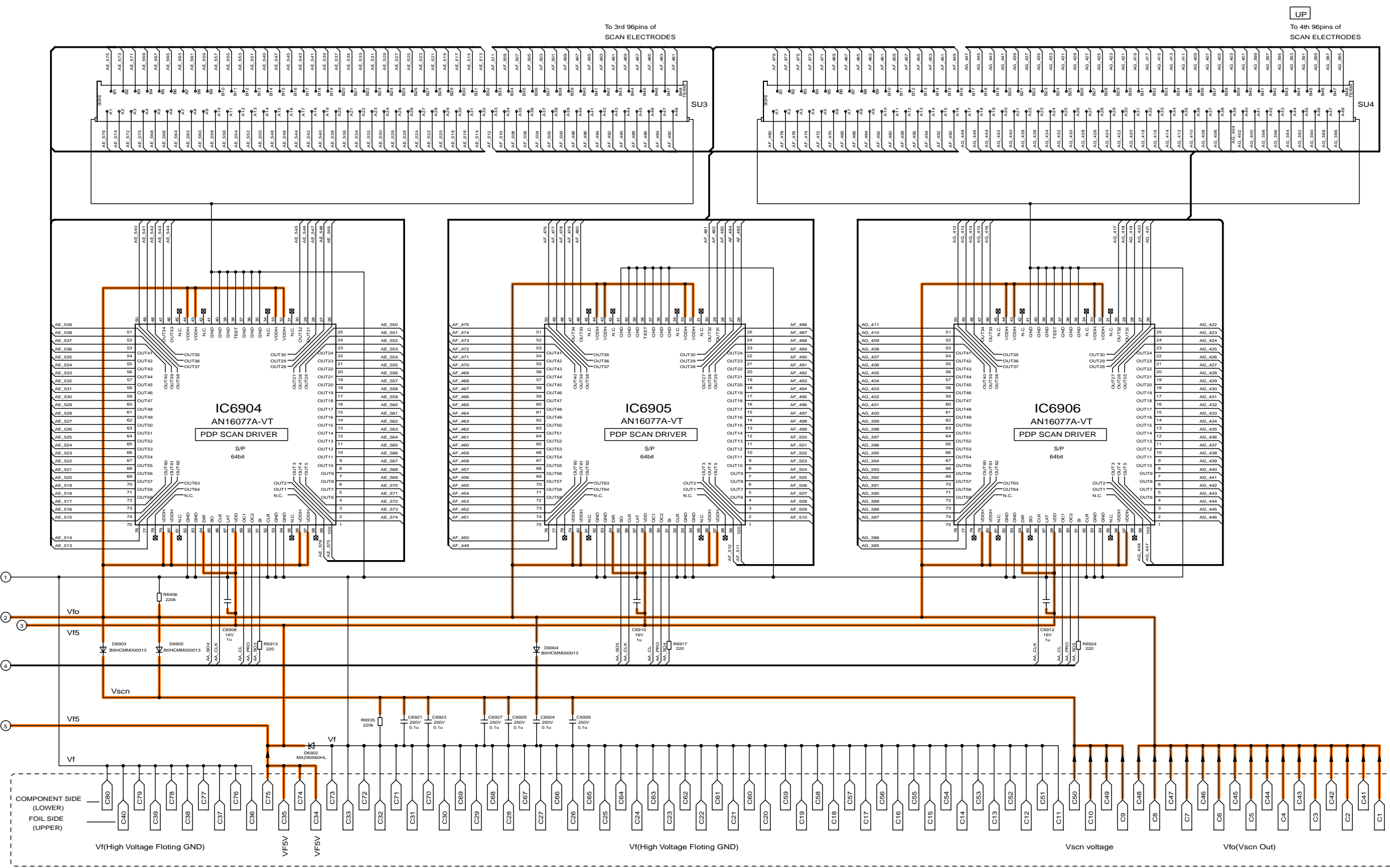


TH-42PV70L
SU and SD-Board Block Diagram

TH-42PV70L
SU and SD-Board Block Diagram

15.48. SU-Board (2 of 2) Schematic Diagram

SU-BOARD TNPA4184 (2/2)



SU41 (Card Edge 80Pin) TO SC-BOARD (SC41)

TH-42PV70L SU-Board (2 of 2) Schematic Diagram

TH-42PV70L SU-Board (2 of 2) Schematic Diagram

8 9 10 11 12 13 14 15

15.49. SD-Board (1 of 2) Schematic Diagram

SD-BOARD TNPA4185 (1/2)

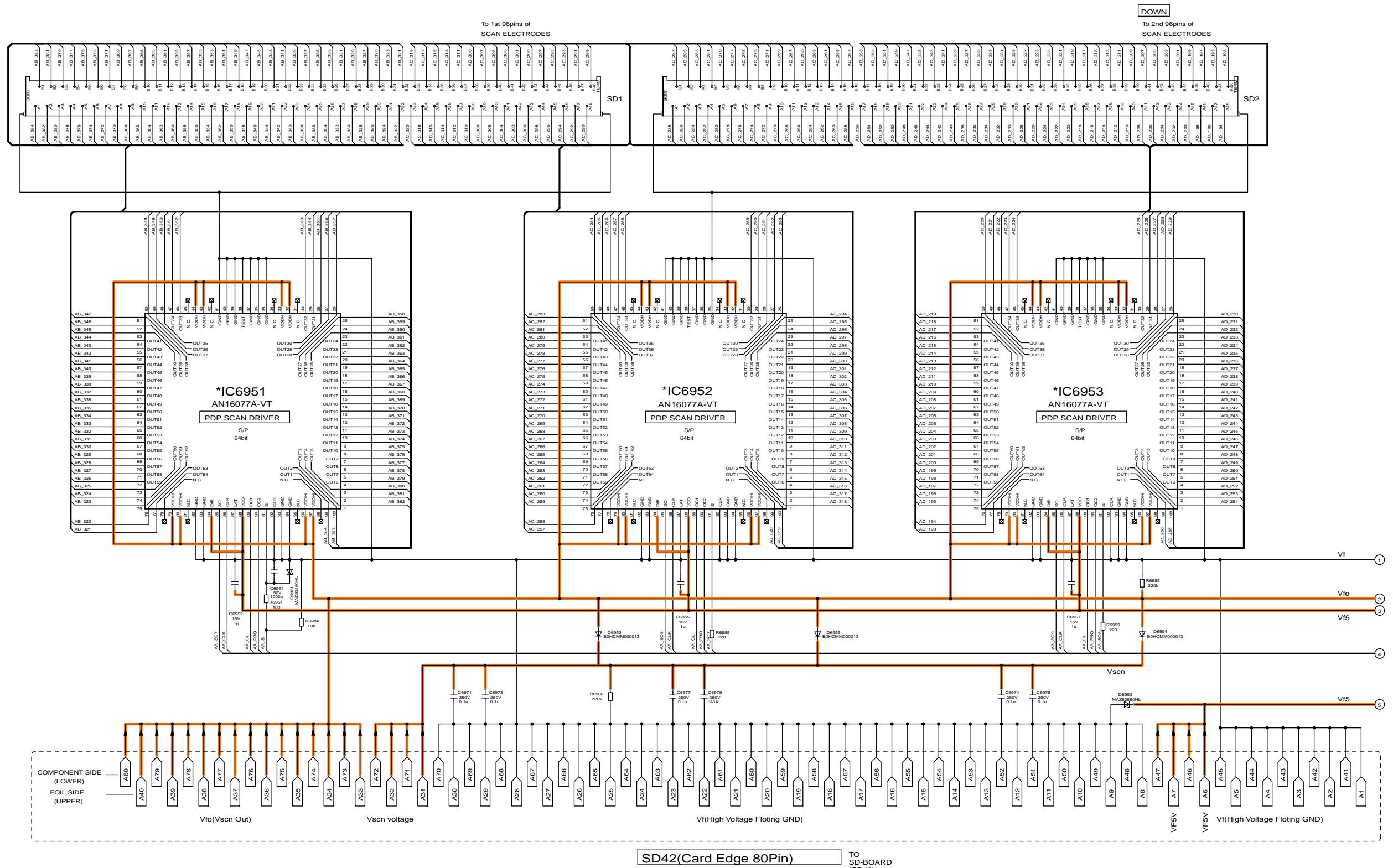
A

B

C

D

E



TH-42PV70L SD-Board (1 of 2) Schematic Diagram

TH-42PV70L SD-Board (1 of 2) Schematic Diagram

1

2

3

4

5

6

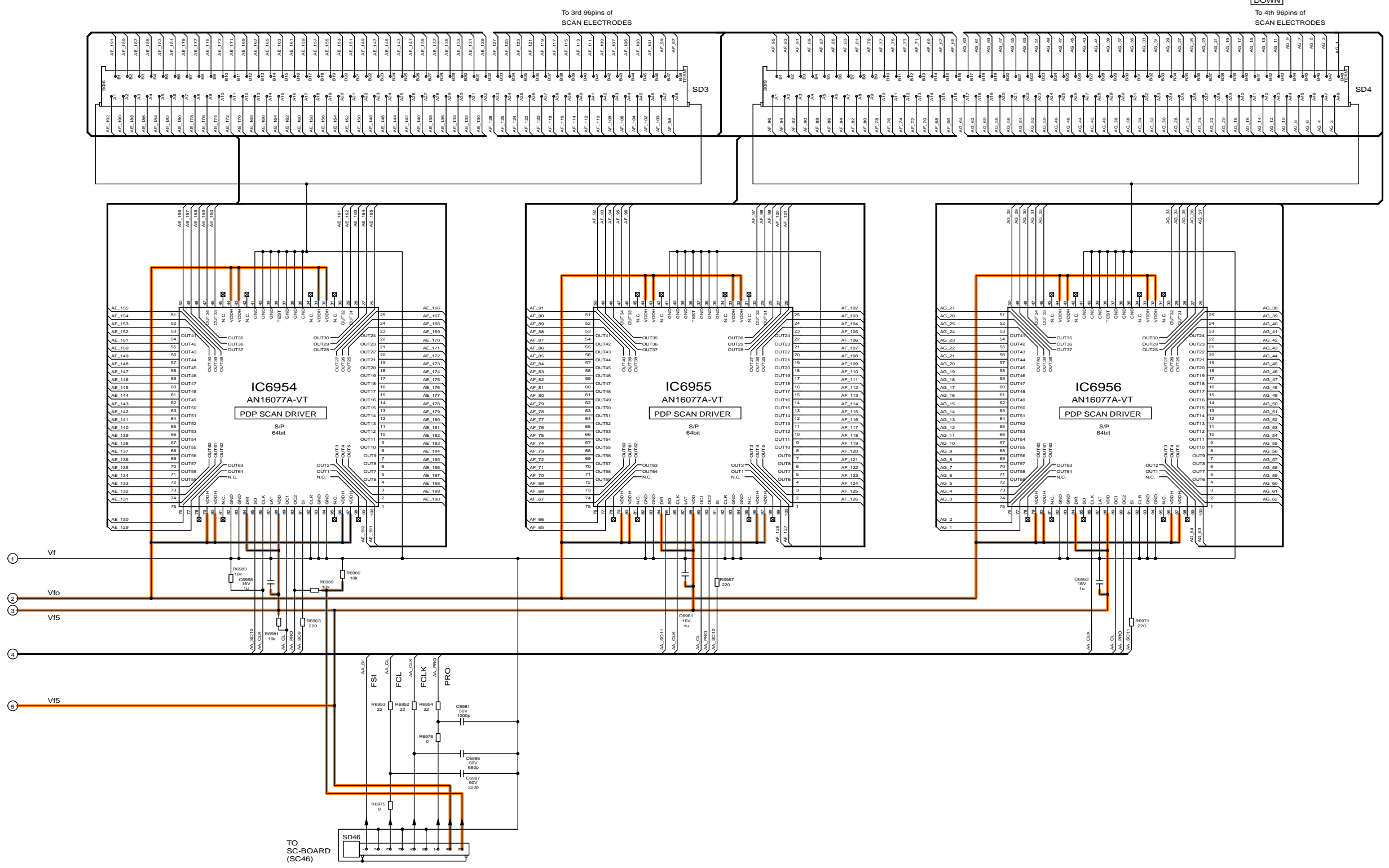
7

8

15.50. SD-Board (2 of 2) Schematic Diagram

SD-BOARD TNPA4185 (2/2)

DOWN

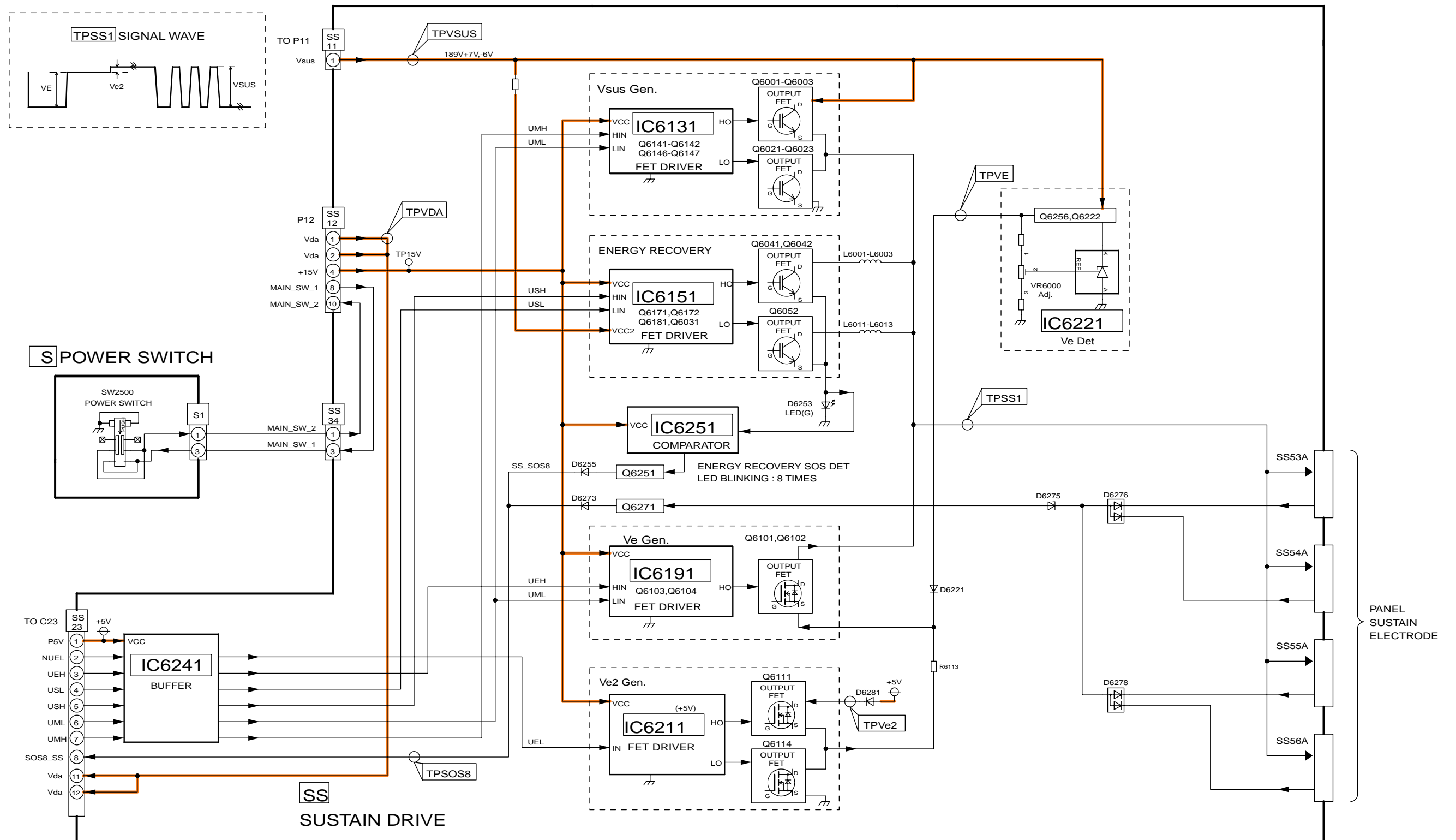


TH-42PV70L
SD-Board (2 of 2) Schematic Diagram

TH-42PV70L
SD-Board (2 of 2) Schematic Diagram

8 9 10 11 12 13 14 15

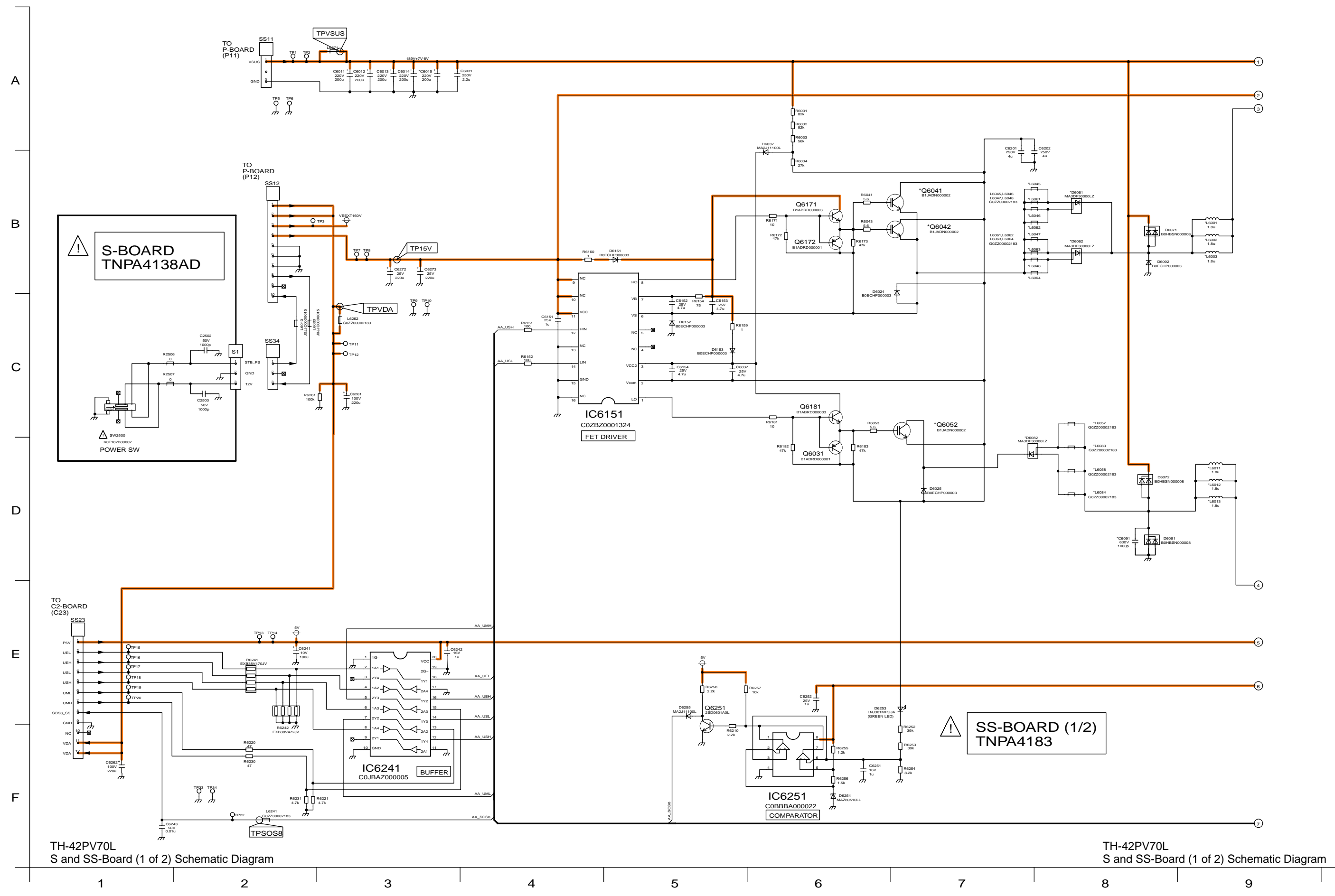
15.51. SS-Board Block Diagram



TH-42PV70L
SS-Board Block Diagram

TH-42PV70L
SS-Board Block Diagram

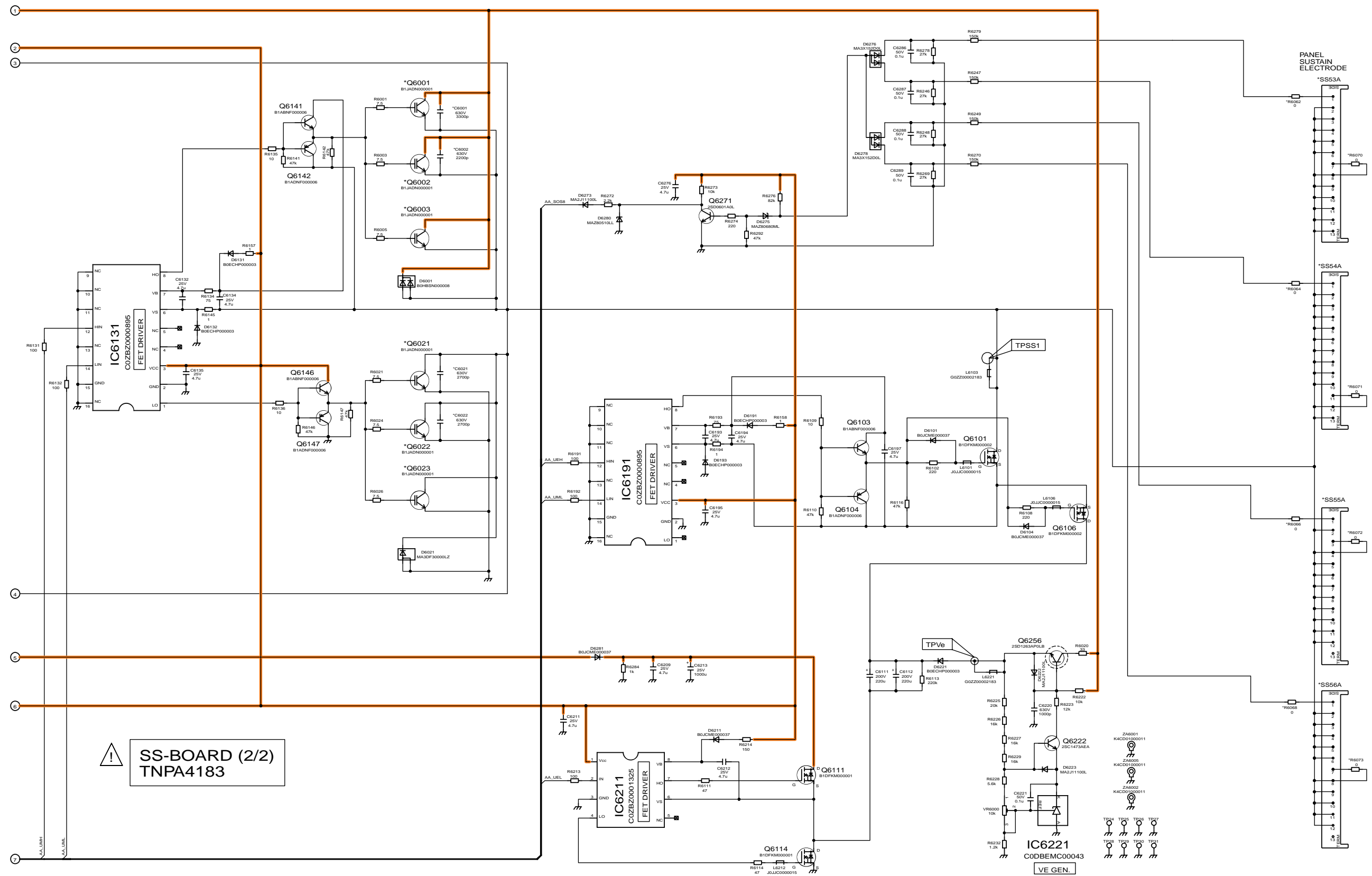
15.52. S and SS-Board (1 of 2) Schematic Diagram



TH-42PV70L
S and SS-Board (1 of 2) Schematic Diagram

TH-42PV70L
S and SS-Board (1 of 2) Schematic Diagram

15.53. SS-Board (2 of 2) Schematic Diagram

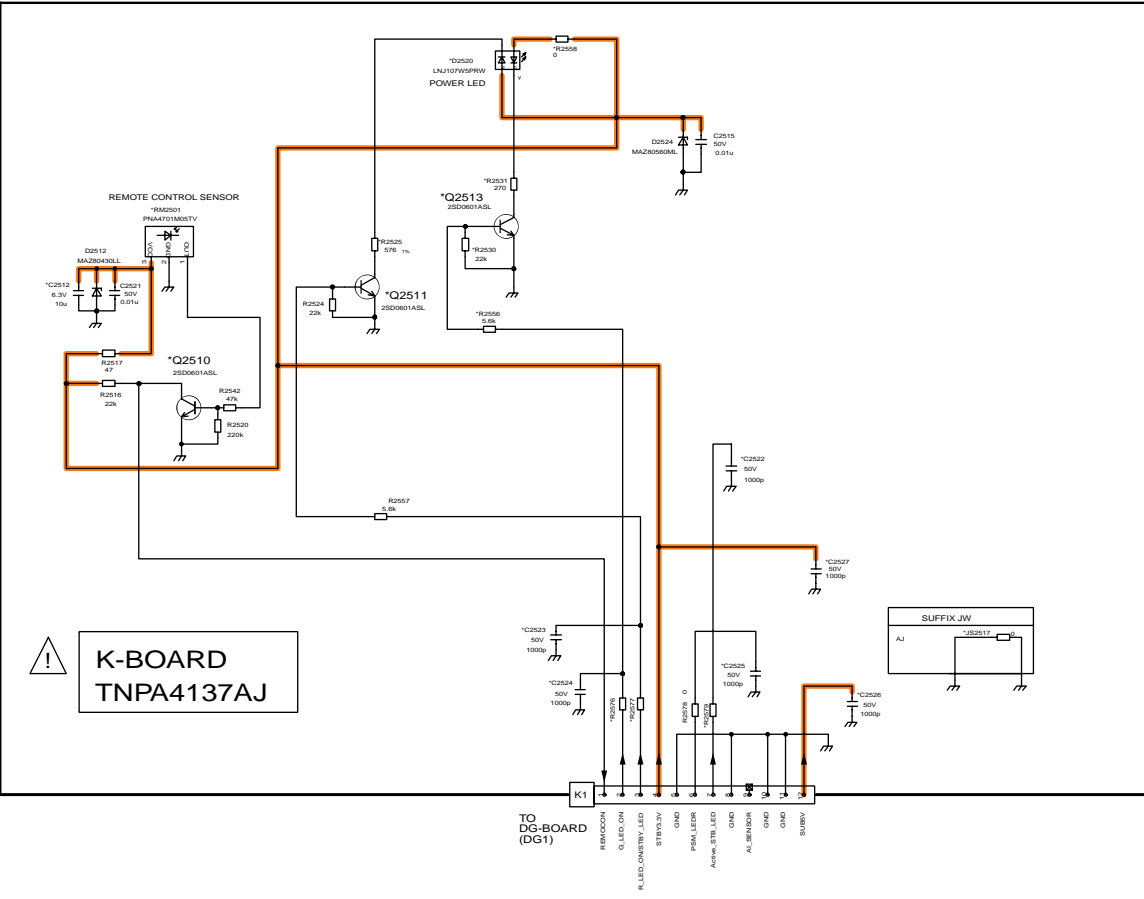
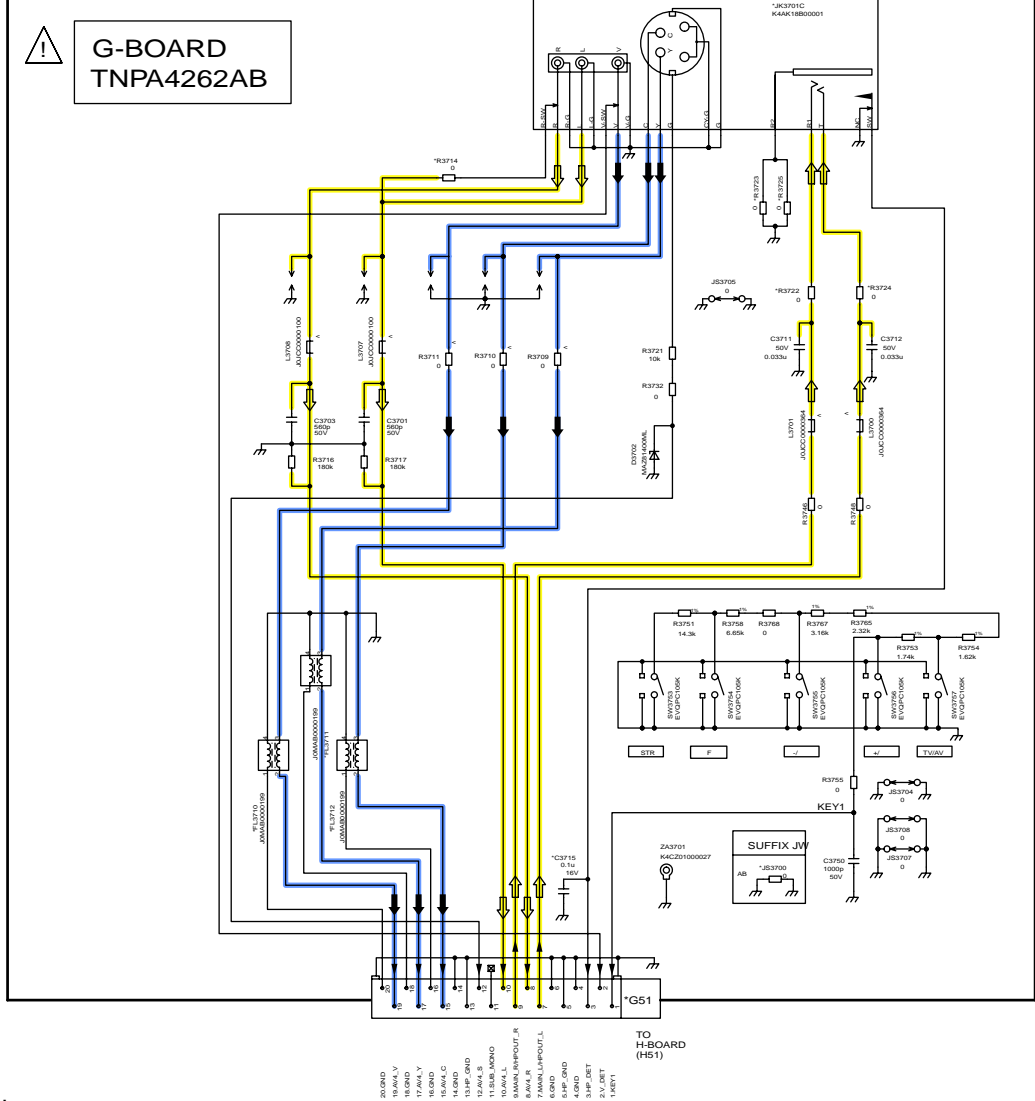
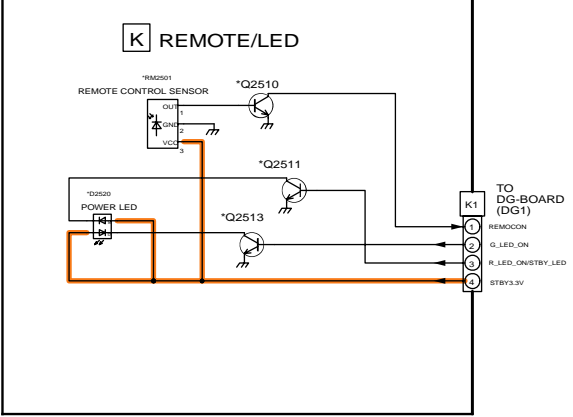
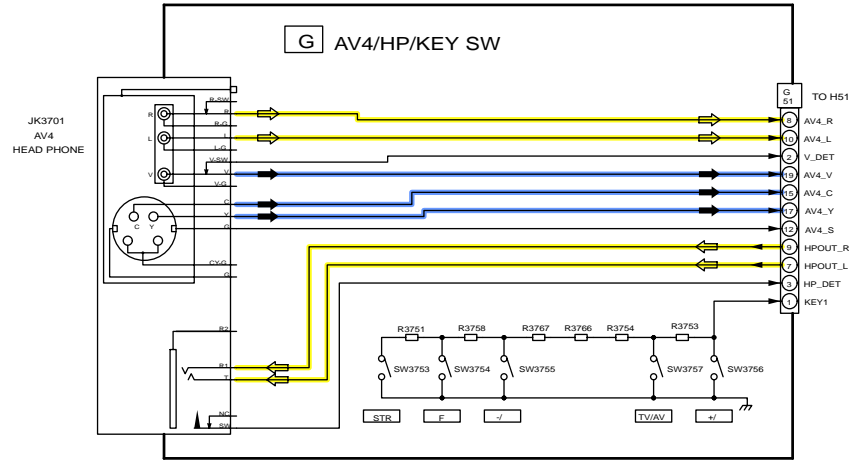


TH-42PV70L
SS-Board (2 of 2) Schematic Diagram

TH-42PV70L
SS-Board (2 of 2) Schematic Diagram

15.54. G and K-Board Schematic Diagram

A
B
C
D
E
F



TH-42PV70L
G, K, and S-Board Schematic Diagram

TH-42PV70L
G, K and S-Board Schematic Diagram

1

2

3

4

5

6

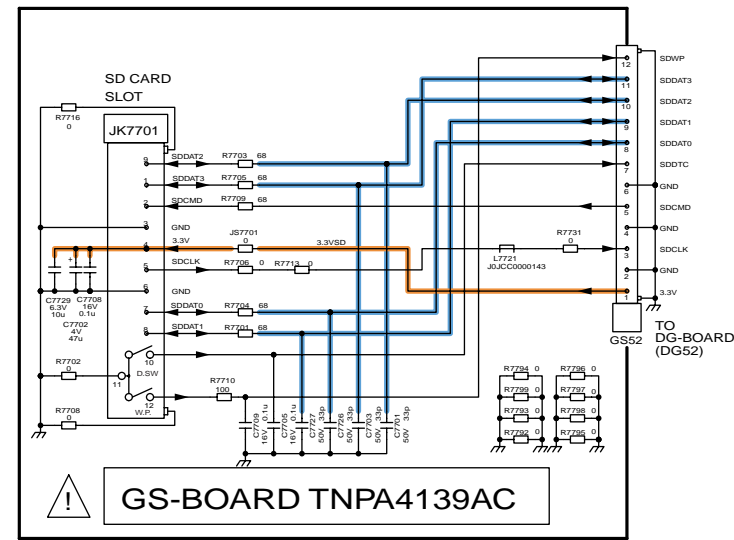
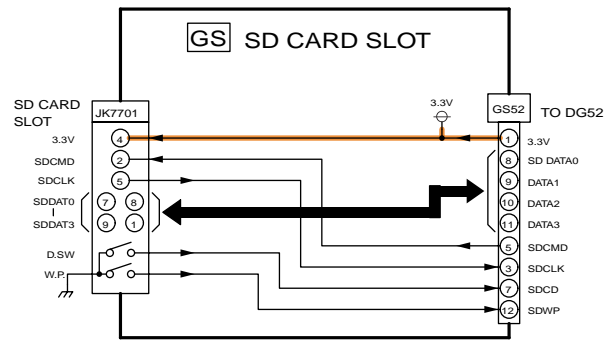
7

8

9

15.55. GS-Board Block and Schematic Diagram

A
B
C
D
E



TH-42PV70L
GS-Board Block and Schematic Diagram

TH-42PV70L
GS-Board Block and Schematic Diagram

1

2

3

4

5

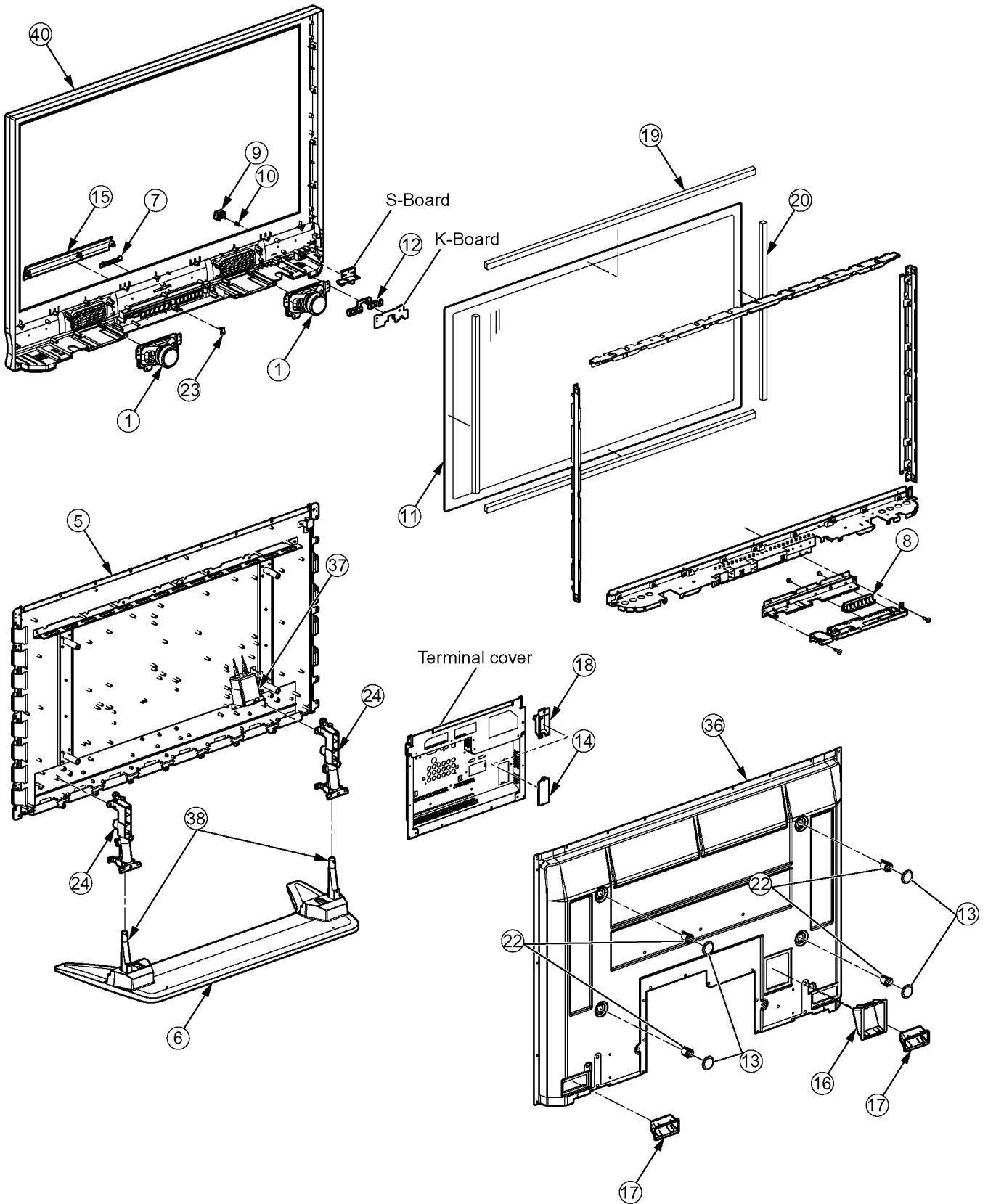
6

7

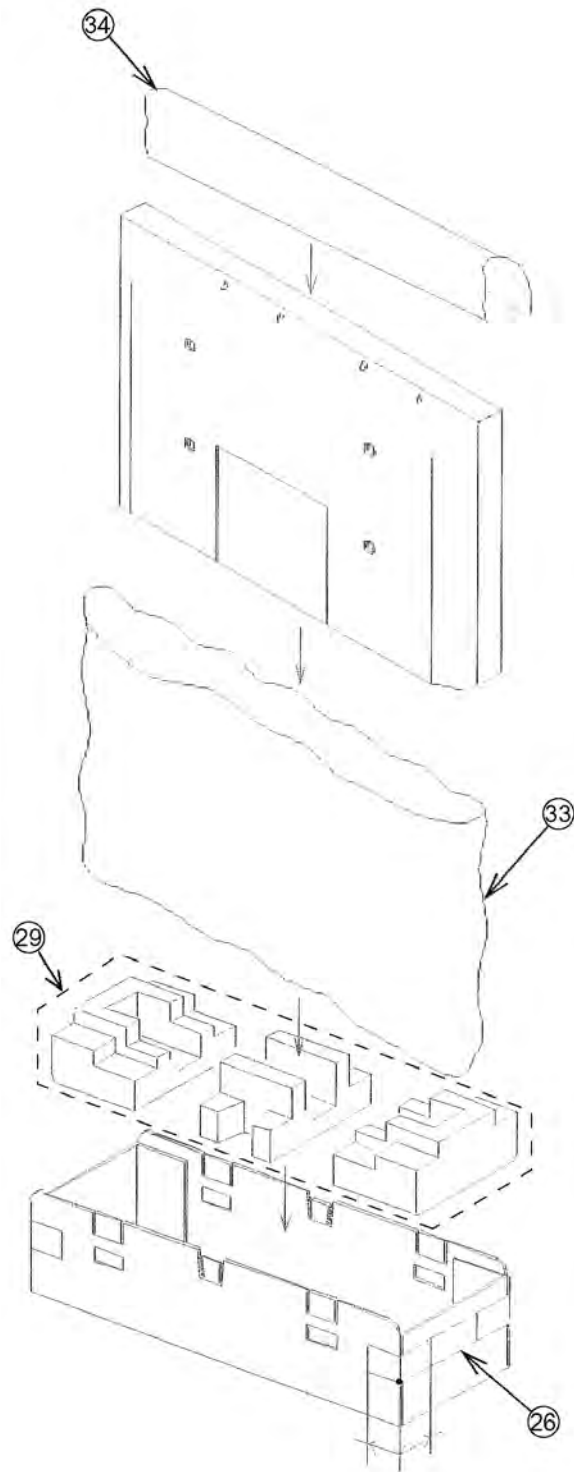
8

16 Exploded Views & Replacement Parts List

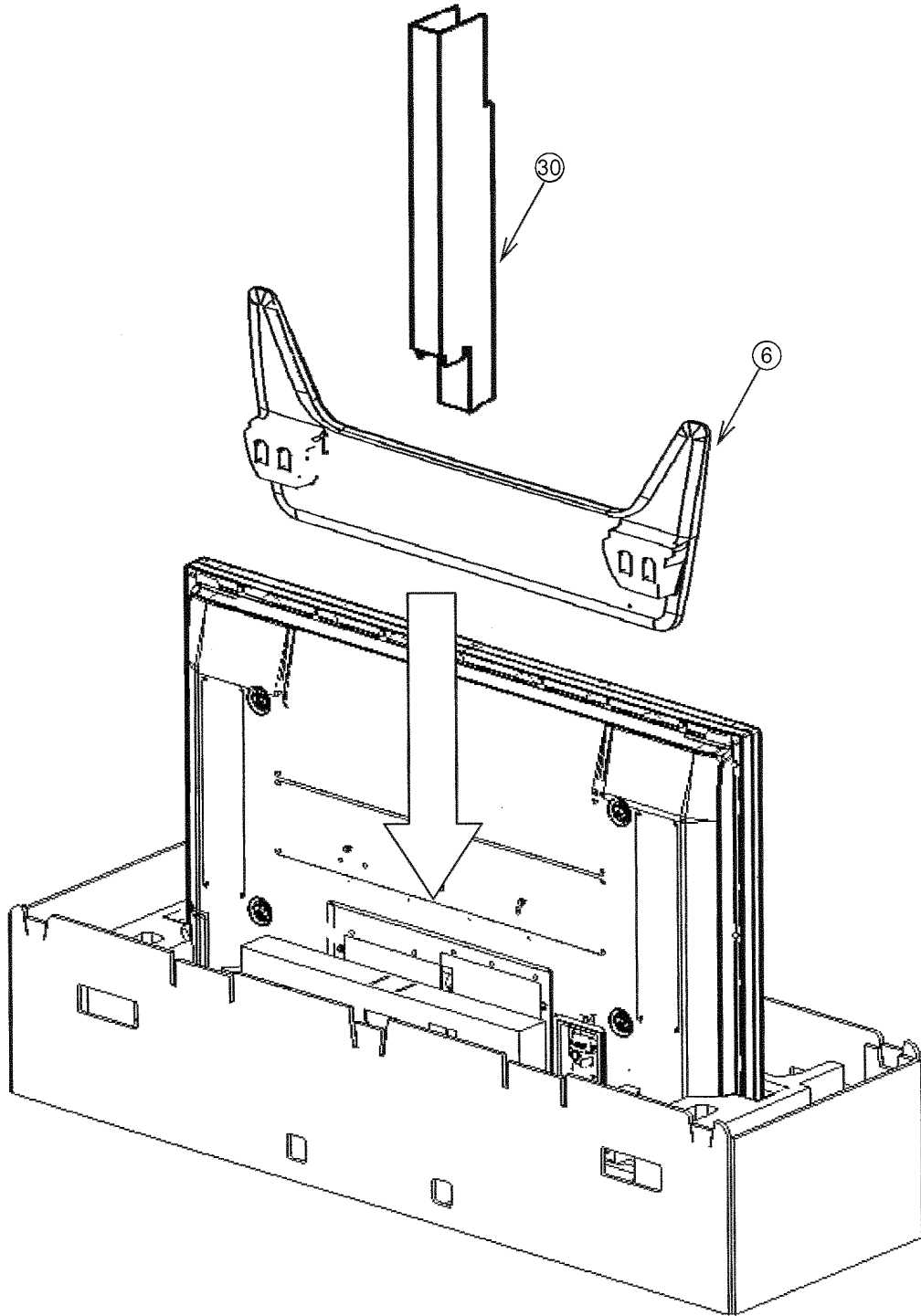
16.1. Exploded Views



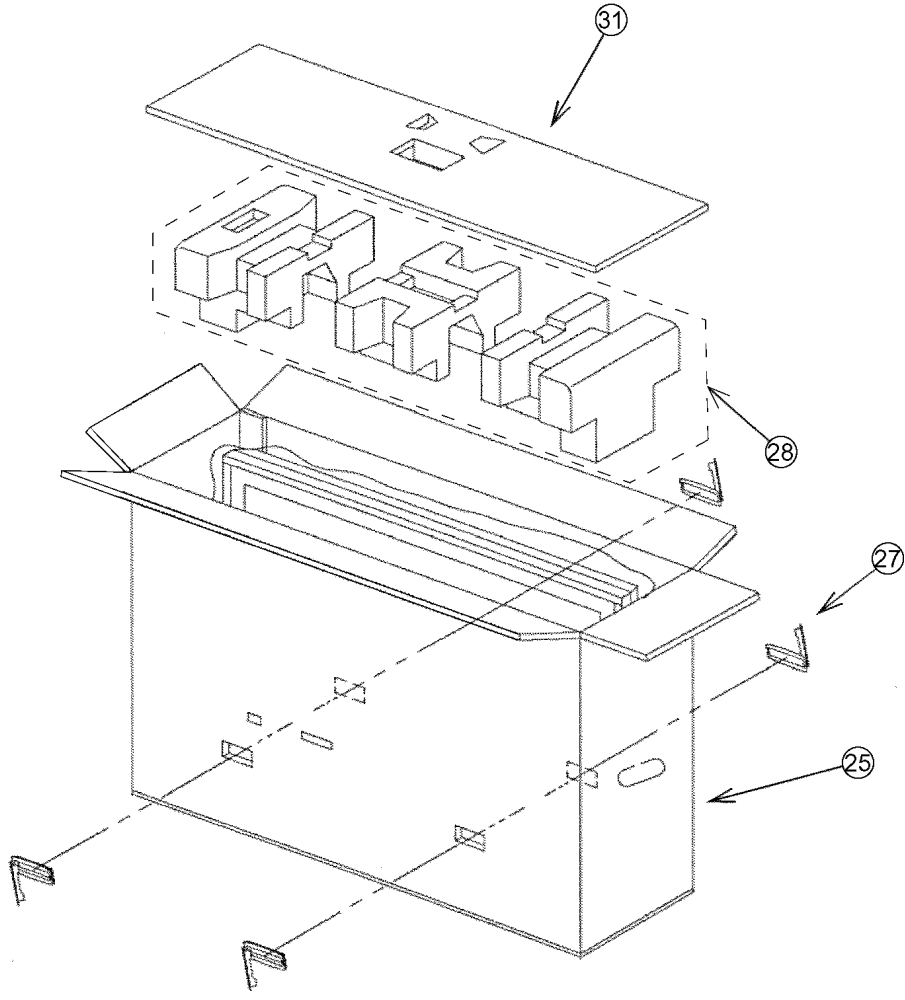
16.2. Packing Exploded Views (1)



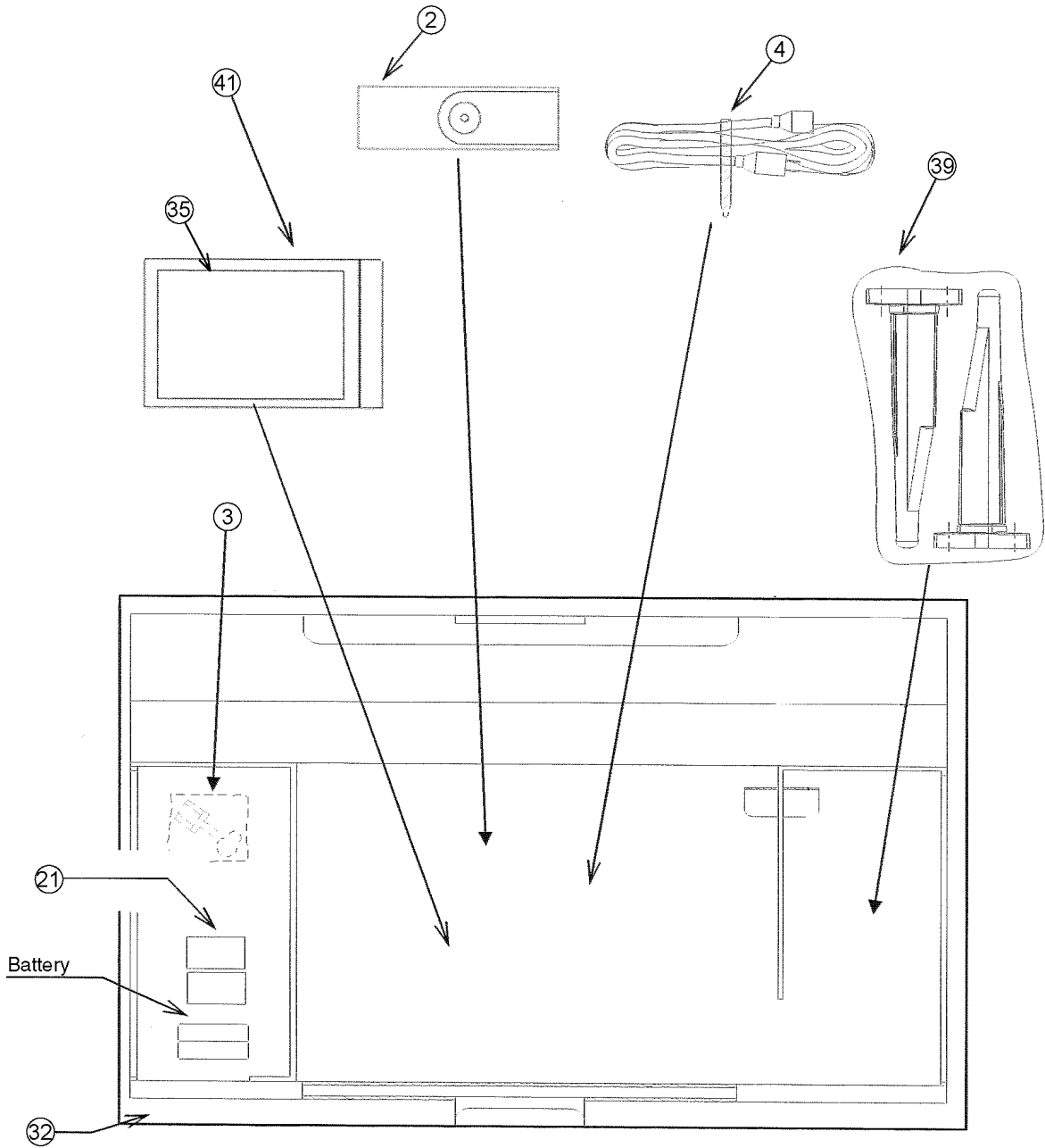
16.3. Packing Exploded Views (2)



16.4. Packing Exploded Views (3)



16.5. Accessory



16.6. Replacement Parts List Notes

Important Safety Notice

Components identified by Δ mark have special characteristics important for safety. When replacing any of these components, use only manufacturer's specified parts.

RTL (Retention Time Limited)

Note: The marking (RTL) indicates that the Retention Time is Limited for this item. After the discontinuation of this assembly in production, the item will continue to be available for a specific period of time. The retention period of availability is dependant on the type of assembly, and in accordance with the laws governing part and product retention. After the end of this period, the assembly will no longer be available.

Abbreviation of part name and description

1. Resistor

Example:

ERD25TJ104 C 100KOHM, J, 1/4W
 Type Allowance

2. Capacitor

Example:

ECKF1H103ZF C 0.01UF, Z, 50V
 Type Allowance

Type	Allowance
C : Carbon	F : $\pm 1\%$
F : Fuse	G : $\pm 2\%$
M : Metal Oxide Metal Film	J : $\pm 5\%$
S : Solid	K : $\pm 10\%$
W : Wire Wound	M : $\pm 20\%$

Type	Allowance
C : Ceramic	C : $\pm 0.25\text{pF}$
E : Electrolytic	D : $\pm 0.5\text{pF}$
P : Polyester	F : $\pm 1\text{pF}$
Polypropylene	G : $\pm 3\text{pF}$
Tantalum	J : $\pm 5\text{pF}$
	K : $\pm 10\text{pF}$
	L : $\pm 15\text{pF}$
	M : $\pm 20\text{pF}$
	P : +100%, -0%
	Z : +80%, -20%

16.7. Mechanical Replacement Parts List

Ref. No.	Part No.	Part Name & Description	Pcs	Remarks
1	EAS12S10B	SPEAKER	2	
2	EUR76511140	REMOTE CONTROL	1	
3	K1RGZBA00001	F TERMINAL (5C TYPE)	1	
	K1ZZ00001424	3 PIECE CONNECTOR PLUG	1	
4	K2CG3DH00051	AC CORD	1	△
4	K2CS3YY00001	AC CORD (FOR CHILE)	1	△
5	MD42H10A1J	PLASMA DISPLAY PANEL	1	△
6	TBLX0024	PEDESTAL STAND ASSY	1	
7	TBMA219	PANASONIC BADGE	1	
8	TBXA51202	CONTROL BUTTON	1	
9	TBXA51304	POWER BUTTON	1	
10	TESD078	BUTTON SPRING	1	
	THEL0429	SCREW	29	
	THEL047J	SCREW(HDMI:2)	2	
	THTD011J	SCREW	2	
	THTF011N	SCREW	39	
11	TKGA5385-1	FRONT GLASS	1	
12	TKKC5270	PANEL LIGHT	1	
13	TKKL5231-3	M8 SPACER CAP	4	
14	TKKL5383	ADJUSTMENT COVER	1	
15	TKPB09103	DOOR LID	1	
16	TKPB13901	INLET COVER	1	△
17	TKRA51702	REAR COVER HANDLE	2	△
18	TKRA57201	SD CARD BRACKET	1	
19	TMKG659-1	SPONGE(UPPER/BOT TOM)	2	
20	TMKG660	SPONGE(LEFT/RIGH T)	2	
	TMM7468-1	CLAMPER	1	
	TMME061	CLAMPER	5	
	TMME084	CLAMPER	1	
	TMME088	CLAMPER	1	
	TMME226	AC CORD CLAMPER	1	
	TMME260	CLAMPER	8	
	TMME287	CLAMPER	6	
21	TMME289	CLAMPER	2	
	TMME292	CLAMPER	1	
22	TMMX133	M8-SPACER	4	
23	TMMX186	DOOR SPRING	1	
24	TMZX5094	STAND BRACKET	2	
25	TPCC10901	CARTON BOX TOP	1	
26	TPCC11501	CARTON BOX BOTTOM	1	
27	TPD169487	JOINT	4	
28	TPDA1569	TOP CUSHION	1	
29	TPDA1570	BOTTOM CUSHION	1	
30	TPDF1820	CARTON HOLDER	1	
31	TPDF1824	TOP PAD	1	
32	TPDF1902	PAPER BOX	1	
33	TPEH170	PROTECT COVER	1	
34	TPEH273	TOP-PROTECT SHEET	1	
35	TQBC2189	INSTRUCTION BOOK(ENGLISH)	1	△
35	TQBC2190	INSTRUCTION BOOK(SPANISH)	1	△
35	TQBC2191	INSTRUCTION BOOK(PORTUGUE)	1	△
35	TQZH857	INSTRUCTION BOOK(STAND)	1	△
	TSXL519	CABLE(C10-C20)	1	
	TSXL562	CABLE(D31-C11/D32-C21)	2	
	TSXL604	CABLE(SC20-D20)	1	
36	TTUA1581	REAR COVER	1	△
37	TXAJS01HNTB	INLET ASSY	1	△
38	TXFBL02LKTU	STAND POLE ASSY	2	

Ref. No.	Part No.	Part Name & Description	Pcs	Remarks
39	TXFBL03HPTP	STAND ACCESSORY ASSY	1	
	TXFHM010VKSA	SCREW ASSY	1	
	TXFKP01HNHTA	BOTTOM COVER ASSY	1	
40	TXFKY01HNHTL	CABINET ASSY	1	△
	TXFMM01LKTU	TIP-PREVENTION PARTS	1	
	TXJH12HNTP	SPEAKER LEAD(H12-SPK)	1	
	XTB4+12GFJ	SCREW	47	
	XTB4+12GFJK	SCREW	10	
	XTB4+16GFJ	SCREW	2	
	XTV3+10JFJK	SCREW	6	
	XTW3+10TFJ	SCREW	3	
	XYN3+F10FJ	SCREW	1	
	XYN3+F8FJ	SCREW	25	
	XYN3+J10FJ	SCREW	1	
	XYN3+J12FJ	SCREW	26	
	XYN3+J6FJ	SCREW	1	
	XYN3+J8FJ	SCREW	1	
	XYN4+E8FJ	SCREW	1	
	XYN4+F10FJ	SCREW	9	
	XYN4+F10FJK	SCREW	6	
	XYN4+F30FJK	SCREW (BC TOP6 SIDE6: AL	6	
	XYN5+C15FJ	SCREW	8	
	XYN5+F20FJ	SCREW@M5X20 (STAND)	4	
	XYN5+F30FJK	SCREW M5X30	4	
	XZB13X28D03	BAG	1	
	XZB7.5X9D05	POLY BAG (SCREW)	1	
41	XZBT6506	POLY BAG	1	

16.8. Electrical Replacement Parts List

Ref. No.	Part No.	Part Name & Description	Pcs	Remarks
F401.402	K5D802BNA005	TIME LAG FUSE HIGH	2	△
C10	K1MN20BA0231	20P CONNECTOR	1	
C11	K1MN55BA0076	55P CONNECTOR	1	
C20	K1MN20BA0231	20P CONNECTOR	1	
C21	K1MN55BA0076	55P CONNECTOR	1	
C23	K1KA12BA0107	12P CONNECTOR	1	
C1102	FLJ1A106A043	C 0.010UF, K, 10V	1	
C1103,04	FLG1C104A081	C 0.10UF, K, 16V	2	
C1106	FLH1H2700008	E 27UF, 50V	1	
C1107	FLH1H2200008	E 22UF, 50V	1	
C1108	FLG1C104A081	C 0.10UF, K, 16V	1	
C1109	ECJ1VB1A105K	C 0.01UF, Z, 50V	1	
C1111	ECJ1VB1A105K	C 0.01UF, Z, 50V	1	
C1112	FLG1C104A081	C 0.10UF, K, 16V	1	
C1114	FLG1C104A081	C 0.10UF, K, 16V	1	
C1117	FLG1C104A081	C 0.10UF, K, 16V	1	
C1122	FLG1E1030005	C 0.01UF, Z, 25V	1	
C1123	ECJ1VB1A105K	C 0.01UF, Z, 50V	1	
C2005,06	FLH1H5610007	E 560UF, 50V	2	
C2010,11	FLH1H5610007	E 560UF, 50V	2	
C2013,14	FLH1H5610007	E 560UF, 50V	2	
C2016,17	FLH1H5610007	E 560UF, 50V	2	
C2021,22	FLH1H5610007	E 560UF, 50V	2	
C2023	ECJ1XB1H104K	C 10PF, J, 50V	1	
C2048-50	ECJ1XB1H104K	C 10PF, J, 50V	3	
C2052,53	ECJ1XB1H104K	C 10PF, J, 50V	2	
C2054	FLJ1A106A043	C 0.010UF, K, 10V	1	
C2055	ECJ1VC1H120J	C 12PF, J, 50V	1	
C2056	ECJ1VC1H180J	C 18PF, J, 50V	1	
C2057,58	ECJ1XB1H104K	C 10PF, J, 50V	2	
C2059	F2G0J470A019	E 47UF 6.3V	1	
C2060	FLH1H100A831	C 10PF, K, 50V	1	
C2061	ECJ1VC1H150J	C 15PF, J, 50V	1	
C2088	ECJ2FB1A475K	C 4.7UF, K, 10V	1	
C2089	FLH1H5610007	E 560UF, 50V	1	
C2091	ECJ1VC1H100C	C 10PF, C, 50V	1	
C2092	FLH1H2200008	E 22UF, 50V	1	
C2096,97	ECJ1XB1H104K	C 10PF, J, 50V	2	
C2098,99	EEEBH0J221UP	C 220PF, J, 6.3V	2	
C2100	ECJ1XB1H104K	C 10PF, J, 50V	1	
C2101	FLJ1A106A043	C 0.010UF, K, 10V	1	
C2102	ECJ1XB1H104K	C 10PF, J, 50V	1	
C2105,06	ECJ1XB1H104K	C 10PF, J, 50V	2	
C2107,08	F2G0J470A019	E 47UF 6.3V	2	
C2109,10	ECJ1XB1H104K	C 10PF, J, 50V	2	
C2111	FLH0J2250008	C 2.2UF, K, 16V	1	
C2112,13	F2G0J470A019	E 47UF 6.3V	2	
C2114,15	ECJ1XB1H104K	C 10PF, J, 50V	2	
C2116	FLH1H471A792	E 470UF, 50V	1	
C2117	ECJ1XB1H104K	C 10PF, J, 50V	1	
C2118	ECJ1VB1A105K	C 0.01UF, Z, 50V	1	
C2119	EEEBH1A221P	C 220PF, J, 10V	1	
C2120,21	FLH1H5600007	E 56UF, 50V	2	
C2124	ECJ1XB1H104K	C 10PF, J, 50V	1	
C2126	FLJ1A106A043	C 0.010UF, K, 10V	1	
C2130	FLJ0J106A021	C 0.010UF, K, 16V	1	
C2131	ECJ1XB1H104K	C 10PF, J, 50V	1	
C2133	EEEBH1H4R7R	C 4.7PF, J, 50V	1	
C2134	ECJ1VB1H103K	C 0.001UF, K, 50V	1	
C2135,36	ECJ1VB1C105K	C 0.01UF, K, 16V	2	
C2137	F2G0J470A019	E 47UF 6.3V	1	
C2138	ECJ1XB1H104K	C 10PF, J, 50V	1	
C2143	FLH1H181A792	E 180UF, 50V	1	

Ref. No.	Part No.	Part Name & Description	Pcs	Remarks
C2146	FLH1H181A792	E 180UF, 50V	1	
C2147	EEEBH1C220R	C 22PF, J, 16V	1	
C2151	F2G0J470A019	E 47UF 6.3V	1	
C2153	ECJ1VC1H330J	C 33PF, J, 50V	1	
C2154	ECJ1XB1H104K	C 10PF, J, 50V	1	
C2155	ECJ1VB1C105K	C 0.01UF, K, 16V	1	
C2157	ECJ1VB1C105K	C 0.01UF, K, 16V	1	
C2159,60	ECJ1VB1C105K	C 0.01UF, K, 16V	2	
C2161	EEEBH1C101UP	C 100PF, J, 16V	1	
C2162-67	ECJ1VB1C105K	C 0.01UF, K, 16V	6	
C2170	ECJ1VC1H330J	C 33PF, J, 50V	1	
C2171	ECJ1VB1H103K	C 0.001UF, K, 50V	1	
C2173	ECJ2FF1C475Z	C 0.047UF, Z, 16V	1	
C2174	ECJ1VB1A105K	C 0.01UF, Z, 50V	1	
C2175	EEEBH1C470P	C 47PF, J, 16V	1	
C2176	ECJ1VB1H103K	C 0.001UF, K, 50V	1	
C2179	EEEBH1C470P	C 47PF, J, 16V	1	
C2180	ECJ1VB1A105K	C 0.01UF, Z, 50V	1	
C2183	FLJ1A106A043	C 0.010UF, K, 10V	1	
C2184	ECJ1VB1H102K	C 1000UF, Z, 50V	1	
C2185	FLJ1A106A043	C 0.010UF, K, 10V	1	
C2186	ECJ1XB1H104K	C 10PF, J, 50V	1	
C2187	FLH0J2250008	C 2.2UF, K, 16V	1	
C2188	FLH1H471A792	E 470UF, 50V	1	
C2189	ECJ1VB1A105K	C 0.01UF, Z, 50V	1	
C2190,91	FLJ1A106A043	C 0.010UF, K, 10V	2	
C2192	F2G0J470A019	E 47UF 6.3V	1	
C2195	ECJ1VB1H102K	C 1000UF, Z, 50V	1	
C2197,98	ECJ1VB1C333K	C 0.033UF, K, 16V	2	
C2202	FLH0J2250008	C 2.2UF, K, 16V	1	
C2203	ECJ1VB1A105K	C 0.01UF, Z, 50V	1	
C2204	ECJ1VB1C105K	C 0.01UF, K, 16V	1	
C2213	ECJ1VB1H102K	C 1000UF, Z, 50V	1	
C2216	ECJ1XB1H104K	C 10PF, J, 50V	1	
C2244	ECJ1XB1H104K	C 10PF, J, 50V	1	
C2245	ECJ1VB1H102K	C 1000UF, Z, 50V	1	
C2246	FLJ1A106A043	C 0.010UF, K, 10V	1	
C2251	FLJ1A106A043	C 0.010UF, K, 10V	1	
C2263,64	FLJ1A106A043	C 0.010UF, K, 10V	2	
C2265-68	ECJ1XC1H101J	C 100PF, J, 50V	4	
C2270,71	FLH1H471A792	E 470UF, 50V	2	
C2272	ECJ2FF1C475Z	C 0.047UF, Z, 16V	1	
C2274-76	ECJ1VB1H104K	C 0.1UF, K, 50V	3	
C2280	ECJ2FB1A475K	C 4.7UF, K, 10V	1	
C2281	FLH1H5610007	E 560UF, 50V	1	
C2288,89	FLJ1A106A043	C 0.010UF, K, 10V	2	
C2301,02	ECJ1XB1C104K	C 0.1UF, Z, 16V	2	
C2303	FLJ1E105A171	E 1 UF 25V	1	
C2305	FLJ1E105A171	E 1 UF 25V	1	
C2307	FLJ1E105A171	E 1 UF 25V	1	
C2309	FLJ1E105A171	E 1 UF 25V	1	
C2311	ECJ1XB1H104K	C 10PF, J, 50V	1	
C2313	ECJ1XB1H104K	C 10PF, J, 50V	1	
C2315	ECJ1XB1H104K	C 10PF, J, 50V	1	
C2317	ECJ1VB1C333K	C 0.033UF, K, 16V	1	
C2319	ECJ1VB1C333K	C 0.033UF, K, 16V	1	
C2321	ECJ1VB1C333K	C 0.033UF, K, 16V	1	
C2323	ECJ1VB1C333K	C 0.033UF, K, 16V	1	

Ref. No.	Part No.	Part Name & Description	Pcs	Remarks
C2325	F1J1H474A757	C 0.47UF, 50V	1	
C2327	ECJ1XB1H104K	C 10PF, J, 50V	1	
C2329	ECJ1XB1H104K	C 10PF, J, 50V	1	
C2331	F1J1H474A757	C 0.47UF, 50V	1	
C2333	ECJ1XB1H104K	C 10PF, J, 50V	1	
C2335	ECJ1XB1H104K	C 10PF, J, 50V	1	
C2337	F1H1H223A219	E 0.022UF, 50V	1	
C2339	F1H1H223A219	E 0.022UF, 50V	1	
C2341	ECJ1XB1H104K	C 10PF, J, 50V	1	
C2343	ECJ1XB1H104K	C 10PF, J, 50V	1	
C2345	F1H1H223A219	E 0.022UF, 50V	1	
C2347	F1H1H223A219	E 0.022UF, 50V	1	
C2349	ECJ1XB1H104K	C 10PF, J, 50V	1	
C2352	ECJ1VB1C105K	C 0.01UF, K, 16V	1	
C2353	ECJ1XB1H104K	C 10PF, J, 50V	1	
C2355	ECJ1XB1H104K	C 10PF, J, 50V	1	
C2357	ECJ1XB1H104K	C 10PF, J, 50V	1	
C2359	ECJ1XB1H104K	C 10PF, J, 50V	1	
C2361	EEEFGE471P	E 470UF, 25V	1	
C2363	ECJ1XB1H104K	C 10PF, J, 50V	1	
C2365	EEEBB1C221UP	C 220PF, J, 16V	1	
C2375	F1H1H223A219	E 0.022UF, 50V	1	
C2377	F1H1H223A219	E 0.022UF, 50V	1	
C2379	F1H1H223A219	E 0.022UF, 50V	1	
C2381	F1H1H223A219	E 0.022UF, 50V	1	
C2383	ECJ1VB1H102K	C 1000UF, Z, 50V	1	
C2385	ECJ1VB1H102K	C 1000UF, Z, 50V	1	
C2387	ECJ1VB1H102K	C 1000UF, Z, 50V	1	
C2389	ECJ1VB1H102K	C 1000UF, Z, 50V	1	
C2502,03	ECJ2XB1H102K	C 1000PF, K, 50V	2	
C2512	F1K0J1060020	C 10UF, K, 6.3V	1	
C2515	ECJ1VB1H103K	C 0.001UF, K, 50V	1	
C2521	ECJ1VB1H103K	C 0.001UF, K, 50V	1	
C2522-27	ECJ1VB1H102K	C 1000UF, Z, 50V	6	
C2601,02	ECJ1XB1H104K	C 10PF, J, 50V	2	
C2801	ECJ3XB1C106M	C 1.0UF, K, 16V	1	
C2802,03	F1J1H474A757	C 0.47UF, 50V	2	
C2813	ECJ1XB1H104K	C 10PF, J, 50V	1	
C2814	ECJ1VB1H472K	C 4700PF, K, 50V	1	
C2815	ECJ1XB1H104K	C 10PF, J, 50V	1	
C2816	EEEBB1V220P	E 22UF, 35V	1	
C2817	ECJ1VB1H102K	C 1000UF, Z, 50V	1	
C2819	EEEBB1E470P	C 47PF, J, 25V	1	
C3021	ECJ1VB1A105K	C 0.01UF, Z, 50V	1	
C3023,24	ECJ1VB1A105K	C 0.01UF, Z, 50V	2	
C3026	ECJ1XB1H104K	C 10PF, J, 50V	1	
C3027,28	ECJ1VB1A105K	C 0.01UF, Z, 50V	2	
C3029	ECJ1VB1C105K	C 0.01UF, K, 16V	1	
C3031	ECJ1XB1H104K	C 10PF, J, 50V	1	
C3033	ECJ1VB1A105K	C 0.01UF, Z, 50V	1	
C3040	ECJ1XB1H104K	C 10PF, J, 50V	1	
C3043	ECJ1VB1A105K	C 0.01UF, Z, 50V	1	
C3051-56	ECJ1VB1A105K	C 0.01UF, Z, 50V	6	
C3060	ECJ1VB1C105K	C 0.01UF, K, 16V	1	
C3070	EEEBB0J221UP	C 220PF, J, 6.3V	1	
C3075	EEEBB1C221UP	C 220PF, J, 16V	1	
C3078	F1K0J226A008	C 22UF, K, 6.3V	1	
C3081	F2H0J1010009	C 100UF, 6.3V	1	
C3100-02	ECJ1VB1A105K	C 0.01UF, Z, 50V	3	
C3103	EEEBB1C100R	C 10PF, J, 16V	1	
C3115-17	ECJ1XB1H104K	C 10PF, J, 50V	3	
C3118	EEEBB1C470P	C 47PF, J, 16V	1	
C3119	EEEBB1C100R	C 10PF, J, 16V	1	
C3120	ECJ1XB1H104K	C 10PF, J, 50V	1	
C3201	ECJ1XB1H104K	C 10PF, J, 50V	1	
C3214	ECJ1XB1H104K	C 10PF, J, 50V	1	
C3216	ECJ1XB1H104K	C 10PF, J, 50V	1	
C3226-28	ECJ1XB1H104K	C 10PF, J, 50V	3	
C3230	ECJ1XB1H104K	C 10PF, J, 50V	1	
C3263	ECJ1XB1H104K	C 10PF, J, 50V	1	
C3265-68	ECJ1XB1H104K	C 10PF, J, 50V	4	

Ref. No.	Part No.	Part Name & Description	Pcs	Remarks
C3270	EEEBB0J102UP	C 1100PF, J, 6.3V	1	
C3271	EEEBB1C100R	C 10PF, J, 16V	1	
C3272	ECJ1XB1H104K	C 10PF, J, 50V	1	
C3273	F2G1H100A031	E 10UF, 50V	1	
C3274-76	ECJ1XB1C104K	C 0.1UF, Z, 16V	3	
C3279	ECJ1XB1C104K	C 0.1UF, Z, 16V	1	
C3280	ECJ1XC1H101J	C 100PF, J, 50V	1	
C3281	ECJ1XB1C104K	C 0.1UF, Z, 16V	1	
C3701	ECJ2XC1H561K	C 560PF, K, 50V	1	
C3703	ECJ2XC1H561K	C 560PF, K, 50V	1	
C3711,12	ECJ2VF1H333Z	C 0.033UF, Z, 50V	2	
C3715	ECJ2VF1C104Z	C 0.1UF, Z, 16V	1	
C3750	F1J1H102A721	E 1000UF, 50V	1	
C4500-03	F1G1C104A081	C 0.10UF, K, 16V	4	
C4506,07	F1G1C104A081	C 0.10UF, K, 16V	2	
C4508,09	EEEBB0J330R	C 33PF, J, 6.3V	2	
C4510,11	F1G1C104A081	C 0.10UF, K, 16V	2	
C4515	F1G1C104A081	C 0.10UF, K, 16V	1	
C4527	ECJ1VB1A105K	C 0.01UF, Z, 50V	1	
C4528	F1G1C104A081	C 0.10UF, K, 16V	1	
C4531	F1G1C104A081	C 0.10UF, K, 16V	1	
C4533	F1G1H680A565	E 68UF, 50V	1	
C4534,35	ECJ1XB1H104K	C 10PF, J, 50V	2	
C4538	F2G0J470A019	E 47UF 6.3V	1	
C4539	F1J1A106A043	C 0.010UF, K, 10V	1	
C4541	F1H1H471A219	E 470UF, 50V	1	
C4543-45	F1G1C104A081	C 0.10UF, K, 16V	3	
C4546	F1H0J2250008	C 2.2UF, K, 16V	1	
C4547	F1G1C104A081	C 0.10UF, K, 16V	1	
C4548,49	ECJ1XB1H104K	C 10PF, J, 50V	2	
C4550	F1G1C104A081	C 0.10UF, K, 16V	1	
C4551,52	ECJ1XB1H104K	C 10PF, J, 50V	2	
C4553	F1G1H1020008	E 1000UF, 50V	1	
C4555,56	F1J1A106A043	C 0.010UF, K, 10V	2	
C4557	F1G1C104A081	C 0.10UF, K, 16V	1	
C4559,60	F1G1C104A081	C 0.10UF, K, 16V	2	
C4562	F1H1H822A219	E 8200UF, 50V	1	
C4563	ECJ1VB1C823K	C 0.082UF, K, 16V	1	
C4564,65	F1G1E1030005	C 0.01UF, Z, 25V	2	
C4566	ECJ1XB1C393K	C 0.039UF, K, 16V	1	
C4568	F1G1C104A081	C 0.10UF, K, 16V	1	
C4569	F1J1C684A097	C 0.68UF, Z, 16V	1	
C4570	F2G0J470A019	E 47UF 6.3V	1	
C4572,73	F1G1C104A081	C 0.10UF, K, 16V	2	
C4574	F1G1E1030005	C 0.01UF, Z, 25V	1	
C4575	ECJ1VB1A105K	C 0.01UF, Z, 50V	1	
C4576	F2G0J470A019	E 47UF 6.3V	1	
C4577,78	F1G1C104A081	C 0.10UF, K, 16V	2	
C4580	F1G1E1030005	C 0.01UF, Z, 25V	1	
C4581	ECJ1VB1A105K	C 0.01UF, Z, 50V	1	
C4582,83	F1G1C104A081	C 0.10UF, K, 16V	2	
C4584,85	ECJ1VB1A105K	C 0.01UF, Z, 50V	2	
C4586	F1G1E1030005	C 0.01UF, Z, 25V	1	
C4587	F1G1C104A081	C 0.10UF, K, 16V	1	
C4588	ECJ1VB1C823K	C 0.082UF, K, 16V	1	
C4589	F1G1H150A565	E 15UF, 50V	1	
C4590	ECJ0EC1H180J	C 180PF, K, 50V	1	
C4591,92	ECJ1VB1A105K	C 0.01UF, Z, 50V	2	
C4593	F1G1E1030005	C 0.01UF, Z, 25V	1	
C4595	F1G1E1030005	C 0.01UF, Z, 25V	1	
C4596	F1G1C104A081	C 0.10UF, K, 16V	1	
C4598	ECJ1VB1A105K	C 0.01UF, Z, 50V	1	
C4600,01	F1G1E1030005	C 0.01UF, Z, 25V	2	
C4602	F1G1C104A081	C 0.10UF, K, 16V	1	
C4604	F1H0J2250008	C 2.2UF, K, 16V	1	
C4605	F1G1C104A081	C 0.10UF, K, 16V	1	
C4607	F2G0J470A019	E 47UF 6.3V	1	

Ref. No.	Part No.	Part Name & Description	Pcs	Remarks
C4609	ECJ1VB1A105K	C 0.01UF, Z, 50V	1	
C4611	ECJ1VB1A105K	C 0.01UF, Z, 50V	1	
C4612	FLG1E1030005	C 0.01UF, Z, 25V	1	
C4613	ECJ1VB1A105K	C 0.01UF, Z, 50V	1	
C4614	FLG1C104A081	C 0.10UF, K, 16V	1	
C4615	FLG1E1030005	C 0.01UF, Z, 25V	1	
C4616,17	FLG1C104A081	C 0.10UF, K, 16V	2	
C4618	FLG1E1030005	C 0.01UF, Z, 25V	1	
C4619	FLG1C104A081	C 0.10UF, K, 16V	1	
C4620	ECJ1VB1A105K	C 0.01UF, Z, 50V	1	
C4623	FLG1C104A081	C 0.10UF, K, 16V	1	
C4624,25	ECJ1XB1H104K	C 10PF, J, 50V	2	
C4628	FLG1C104A081	C 0.10UF, K, 16V	1	
C4629	FLJ1A106A043	C 0.010UF, K, 10V	1	
C4807	FLG1C104A081	C 0.10UF, K, 16V	1	
C5501	F2A1C471A537	E 470UF, 16V	1	
C5502	ECJ2VB1C104K	C 0.1UF, K, 16V	1	
C5503	F2A1C471A537	E 470UF, 16V	1	
C5504	ECJ2VB1C104K	C 0.1UF, K, 16V	1	
C5521,22	ECJ2VB1C104K	C 0.1UF, K, 16V	2	
C5551	F2A1H331A257	E 330UF, 50V	1	
C5552	ECJ2VB1E104K	C 0.1UF, K, 25V	1	
C5595	ECA1HM220	E 22UF, 50V	1	
C5600	ECJ1VB1C105K	C 0.01UF, K, 16V	1	
C5601	FLG1C104A081	C 0.10UF, K, 16V	1	
C5602	ECGRLOG680ER	C 68PF, J, 4V	1	
C5603,04	FLG1E1030005	C 0.01UF, Z, 25V	2	
C5605	FLJ1A475A039	C 4.7UF, K, 10V	1	
C5606	FLH1H471A219	E 470UF, 50V	1	
C5607	FLG1H221A459	E 220UF, 50V	1	
C5608	FLG1C104A081	C 0.10UF, K, 16V	1	
C5609,10	EEH1C470P	C 47PF, J, 16V	2	
C5615	FLJ1A106A043	C 0.010UF, K, 10V	1	
C5616	ECJ0EB1A473K	C 0.047UF, K, 10V	1	
C5617	ECJ1VB1C105K	C 0.01UF, K, 16V	1	
C5618,19	FLJ1A106A043	C 0.010UF, K, 10V	2	
C5620	ECJ1XB1H104K	C 10PF, J, 50V	1	
C5621	FLG1E1030005	C 0.01UF, Z, 25V	1	
C5622	FLJ1A475A039	C 4.7UF, K, 10V	1	
C5623	ECJ0EB1H471K	C 470PF, K, 50V	1	
C5624	FLG1H221A459	E 220UF, 50V	1	
C5625	FLG1E1030005	C 0.01UF, Z, 25V	1	
C5626,27	FLG1C104A081	C 0.10UF, K, 16V	2	
C5628,29	ECGRLOG680ER	C 68PF, J, 4V	2	
C5630,31	EEH1C470P	C 47PF, J, 16V	2	
C5632	ECJ1VB1C105K	C 0.01UF, K, 16V	1	
C5636-41	FLG1C104A081	C 0.10UF, K, 16V	6	
C5643	ECJ1XB1H104K	C 10PF, J, 50V	1	
C5644	FLG1E1030005	C 0.01UF, Z, 25V	1	
C5645	FLH1A225A051	E 22UF, 50V	1	
C5661	FLG1E1030005	C 0.01UF, Z, 25V	1	
C5662	ECJ0EB1A473K	C 0.047UF, K, 10V	1	
C5663	FLG1E1030005	C 0.01UF, Z, 25V	1	
C5670	ECJ1VB1A105K	C 0.01UF, Z, 50V	1	
C5673,74	ECJ1VB1A105K	C 0.01UF, Z, 50V	2	
C5676	FLG1C104A081	C 0.10UF, K, 16V	1	
C5690,91	F2G0J470A019	E 47UF 6.3V	2	
C5692,93	ECJ1XB1H104K	C 10PF, J, 50V	2	
C5694,95	F2G0J470A019	E 47UF 6.3V	2	
C5710-16	ECJ2VF1C104Z	C 0.1UF, Z, 16V	7	
C6001	FL2J332A022	C 3300UF, K,6.3V	1	
C6002	FL2J222A022	C 2200UF, K,6.3V	1	
C6011-15	F2A2T201A002	E 200UF,	5	
C6021,22	FL2J272A022	C 2700UF, K,6.3V	2	
C6031	FOC2E225A218	E 0.022UF, 250V	1	
C6037	FL1E4750004	C 4.7UF, 25V	1	
C6091	FL2J1020001	C 1000UF, K,6.3V	1	
C6111,12	ECA2DHG221	E 220UF, 200V	2	
C6132	FL1E4750004	C 4.7UF, 25V	1	

Ref. No.	Part No.	Part Name & Description	Pcs	Remarks
C6134,35	FL1E4750004	C 4.7UF, 25V	2	
C6151	ECJ3YB1E105K	C 1UF, K, 25V	1	
C6152-54	FL1E4750004	C 4.7UF, 25V	3	
C6193-95	FL1E4750004	C 4.7UF, 25V	3	
C6197	FL1E4750004	C 4.7UF, 25V	1	
C6201,02	FOC2E405A176	E 0.040UF, 250V	2	
C6209	FL1E4750004	C 4.7UF, 25V	1	
C6211,12	FL1E4750004	C 4.7UF, 25V	2	
C6213	F2A1E102A220	E 1000UF, 25V	1	
C6220	FL2J1020001	C 1000UF, K,6.3V	1	
C6221	ECJ2XB1H104K	C 0.1UF, K, 50V	1	
C6241	F2A1A101A439	E 100UF, 10V	1	
C6242	FLH1C105A072	C 1UF, K, 16V	1	
C6243	ECJ2VB1H103K	C 0.01UF, K, 50V	1	
C6251	FLH1C105A072	C 1UF, K, 16V	1	
C6252	ECJ3YB1E105K	C 1UF, K, 25V	1	
C6261,62	F2A2A221A073	E 220UF, 100V	2	
C6272,73	F2A1E221A487	E 220UF, 25V	2	
C6276	FL1E4750004	C 4.7UF, 25V	1	
C6286-89	ECJ2XB1H104K	C 0.1UF, K, 50V	4	
C6401	FL2J332A022	C 3300UF, K,6.3V	1	
C6402	FL2J222A022	C 2200UF, K,6.3V	1	
C6411-15	F2A2T201A002	E 200UF,	5	
C6421,22	FL2J272A022	C 2700UF, K,6.3V	2	
C6431	FOC2E405A176	E 0.040UF, 250V	1	
C6480	ECJ2XB1H104K	C 0.1UF, K, 50V	1	
C6502	FL1E4750004	C 4.7UF, 25V	1	
C6504,05	FL1E4750004	C 4.7UF, 25V	2	
C6521	ECJ3YB1E105K	C 1UF, K, 25V	1	
C6522	FL1E4750004	C 4.7UF, 25V	1	
C6524,25	FL1E4750004	C 4.7UF, 25V	2	
C6527	FL1E4750004	C 4.7UF, 25V	1	
C6531,32	FOC2E405A176	E 0.040UF, 250V	2	
C6561	F2A1A101A439	E 100UF, 10V	1	
C6562	FLH1C105A072	C 1UF, K, 16V	1	
C6563	F2A1A101A439	E 100UF, 10V	1	
C6564	FLH1C105A072	C 1UF, K, 16V	1	
C6565,66	ECJ2VB1H103K	C 0.01UF, K, 50V	2	
C6581	ECJ3YB1E105K	C 1UF, K, 25V	1	
C6582	FLH1C105A072	C 1UF, K, 16V	1	
C6592	F2A1E221A487	E 220UF, 25V	1	
C6593	ECJ2XC1H102J	C 1000PF, J, 50V	1	
C6603,04	FL2J102A014	C 1000UF, K,6.3V	2	
C6605,06	FL2J472A022	C 4700UF, K,6.3V	2	
C6620,21	FL2J222A002	C 2200PF, 600V	2	
C6641	ECQE2224KF3	P 2.2UF, K,250V	1	
C6661,62	FL2J102A014	C 1000UF, K,6.3V	2	
C6671	FL1E4750004	C 4.7UF, 25V	1	
C6691	ECA2CM101	E 100UF, 160V	1	
C6694	ECJ3YB1E105K	C 1UF, K, 25V	1	
C6695	ECJ2XC1H102J	C 1000PF, J, 50V	1	
C6702-06	ECJ2XB1H104K	C 0.1UF, K, 50V	5	
C6708	ECJ2XB1H104K	C 0.1UF, K, 50V	1	
C6721	ECA1HM101	E 100UF, 50V	1	
C6722	ECJ2XC1H101J	C 100PF, J, 50V	1	
C6723-25	FL1E4750004	C 4.7UF, 25V	3	
C6726,27	FLH1C105A072	C 1UF, K, 16V	2	
C6740	ECJ2XC1H101J	C 100PF, J, 50V	1	
C6752	ECJ3YB1E105K	C 1UF, K, 25V	1	
C6753	FL1E4750004	C 4.7UF, 25V	1	
C6755,56	FL1E4750004	C 4.7UF, 25V	2	
C6771	FLH1C105A072	C 1UF, K, 16V	1	
C6772,73	FL1E4750004	C 4.7UF, 25V	2	
C6775	FL1E4750004	C 4.7UF, 25V	1	
C6776,77	ECJ2XB1H104K	C 0.1UF, K, 50V	2	
C6791	F2A1E221A487	E 220UF, 25V	1	
C6795,96	F2A1E221A487	E 220UF, 25V	2	
C6801	F2A2E470A022	E 47UF, 250V	1	
C6803	ECKD3D221KBP	C 220PF, K, 2KV	1	
C6804	F2A2E100A022	E 10UF, 250V	1	
C6805	ECJ2XC1H331J	C 330PF, J, 50V	1	
C6806	ECA2CM101	E 100UF, 160V	1	
C6811	ECJ3YB1E105K	C 1UF, K, 25V	1	

Ref. No.	Part No.	Part Name & Description	Pcs	Remarks
C6812	F1L1E4750004	C 4.7UF, 25V	1	
C6813	ECA2CM101	E 100UF, 160V	1	
C6814	F2A1E221A487	E 220UF, 25V	1	
C6815	ECJ2XC1H102J	C 1000PF, J, 50V	1	
C6822	F2A2G470A018	E 470UF, 400V	1	
C6823	ECJ2VB1H103K	C 0.01UF, K, 50V	1	
C6832	ECJ2XB1H392K	C 3900PF, K, 50V	1	
C6841	F2A2E470A022	E 47UF, 250V	1	
C6842	ECA2CM101	E 100UF, 160V	1	
C6845	ECJ2VB1H103K	C 0.01UF, K, 50V	1	
C6861	F1H1C105A072	C 1UF, K, 16V	1	
C6862	ECJ3YB1E105K	C 1UF, K, 25V	1	
C6863	ECJ2VB1H103K	C 0.01UF, K, 50V	1	
C6871	F1H1C105A072	C 1UF, K, 16V	1	
C6872	ECJ3YB1E105K	C 1UF, K, 25V	1	
C6873	ECJ2VB1H103K	C 0.01UF, K, 50V	1	
C6901	ECJ2XB1H102K	C 1000PF, K, 50V	1	
C6902	TCUY1C105ZFN	C 1UF, 16V	1	
C6904	TCUY1C105ZFN	C 1UF, 16V	1	
C6906	TCUY1C105ZFN	C 1UF, 16V	1	
C6908	TCUY1C105ZFN	C 1UF, 16V	1	
C6910	TCUY1C105ZFN	C 1UF, 16V	1	
C6912	TCUY1C105ZFN	C 1UF, 16V	1	
C6921	F1L2E1040002	E 1000UF, 25V	1	
C6923,24	F1L2E1040002	E 1000UF, 25V	2	
C6926,27	F1L2E1040002	E 1000UF, 25V	2	
C6929	F1L2E1040002	E 1000UF, 25V	1	
C6931	ECJ2XB1H102K	C 1000PF, K, 50V	1	
C6936	ECJ2XB1H681K	C 680PF, K, 50V	1	
C6937	ECJ2VB1H221K	C 220PF, K, 50V	1	
C6951	ECJ2XB1H102K	C 1000PF, K, 50V	1	
C6952	TCUY1C105ZFN	C 1UF, 16V	1	
C6955	TCUY1C105ZFN	C 1UF, 16V	1	
C6957,58	TCUY1C105ZFN	C 1UF, 16V	2	
C6961	TCUY1C105ZFN	C 1UF, 16V	1	
C6963	TCUY1C105ZFN	C 1UF, 16V	1	
C6971	F1L2E1040002	E 1000UF, 25V	1	
C6973,74	F1L2E1040002	E 1000UF, 25V	2	
C6976,77	F1L2E1040002	E 1000UF, 25V	2	
C6979	F1L2E1040002	E 1000UF, 25V	1	
C6981	ECJ2XB1H102K	C 1000PF, K, 50V	1	
C6986	ECJ2XB1H681K	C 680PF, K, 50V	1	
C6987	ECJ2VB1H221K	C 220PF, K, 50V	1	
C7110	F1H1C105A072	C 1UF, K, 16V	1	
C7114	F1H1C105A072	C 1UF, K, 16V	1	
C7116	F1H1C105A072	C 1UF, K, 16V	1	
C7117	ECJ1XC1H101J	C 100PF, J, 50V	1	
C7118	F1K2A474A006	C 0.47UF, 6.3V	1	
C7121	F1H1C105A072	C 1UF, K, 16V	1	
C7123	F1H1C105A072	C 1UF, K, 16V	1	
C7124	ECJ1XC1H101J	C 100PF, J, 50V	1	
C7125	F1K2A474A006	C 0.47UF, 6.3V	1	
C7126	F1H1C105A072	C 1UF, K, 16V	1	
C7127	ECJ1XC1H101J	C 100PF, J, 50V	1	
C7128	F1K2A474A006	C 0.47UF, 6.3V	1	
C7130	ECJ1XB1C104K	C 0.1UF, Z, 16V	1	
C7140	F1H1C105A072	C 1UF, K, 16V	1	
C7141	ECJ1XC1H101J	C 100PF, J, 50V	1	
C7142	F1K2A474A006	C 0.47UF, 6.3V	1	
C7145	F1H1C105A072	C 1UF, K, 16V	1	
C7148	ECJ1XB1C104K	C 0.1UF, Z, 16V	1	
C7150-53	F1K2A474A006	C 0.47UF, 6.3V	4	
C7203	F1H1C105A072	C 1UF, K, 16V	1	
C7207	F1H1C105A072	C 1UF, K, 16V	1	
C7209	F1H1C105A072	C 1UF, K, 16V	1	
C7210	ECJ1XC1H101J	C 100PF, J, 50V	1	
C7211	F1K2A474A006	C 0.47UF, 6.3V	1	
C7214	F1H1C105A072	C 1UF, K, 16V	1	
C7216	F1H1C105A072	C 1UF, K, 16V	1	
C7217	ECJ1XC1H101J	C 100PF, J, 50V	1	
C7218	F1K2A474A006	C 0.47UF, 6.3V	1	
C7219	F1H1C105A072	C 1UF, K, 16V	1	
C7220	ECJ1XC1H101J	C 100PF, J, 50V	1	

Ref. No.	Part No.	Part Name & Description	Pcs	Remarks
C7221	F1K2A474A006	C 0.47UF, 6.3V	1	
C7229	ECJ1XB1C104K	C 0.1UF, Z, 16V	1	
C7230-33	F1K2A474A006	C 0.47UF, 6.3V	4	
C7235	F1H1C105A072	C 1UF, K, 16V	1	
C7236	ECJ1XC1H101J	C 100PF, J, 50V	1	
C7237	F1K2A474A006	C 0.47UF, 6.3V	1	
C7240	F1H1C105A072	C 1UF, K, 16V	1	
C7242	F1K2A474A006	C 0.47UF, 6.3V	1	
C7244,45	ECJ1XB1C104K	C 0.1UF, Z, 16V	2	
C7701	F1GLH330A565	E 33UF, 50V	1	
C7702	F2G0G470A007	E 47UF 6.3V	1	
C7703	F1GLH330A565	E 33UF, 50V	1	
C7705	F1G1C104A083	C 0.10UF, K, 16V	1	
C7708,09	F1G1C104A083	C 0.10UF, K, 16V	2	
C7726,27	F1GLH330A565	E 33UF, 50V	2	
C7729	F1J0J106A020	C 0.010UF, K, 16V	1	
C8001	F1G1C104A081	C 0.10UF, K, 16V	1	
C8002-05	F1H0J1050012	C 1UF, K, 16V	4	
C8006-08	F1G1C104A081	C 0.10UF, K, 16V	3	
C8009,10	F1J1A106A043	C 0.010UF, K, 10V	2	
C8011-14	F1G1C104A081	C 0.10UF, K, 16V	4	
C8015,16	F1H0J1050012	C 1UF, K, 16V	2	
C8017	F1J1A106A043	C 0.010UF, K, 10V	1	
C8018-21	F1G1C104A081	C 0.10UF, K, 16V	4	
C8022	F1H0J1050012	C 1UF, K, 16V	1	
C8023,24	F1J1A106A043	C 0.010UF, K, 10V	2	
C8025-29	F1G1C104A081	C 0.10UF, K, 16V	5	
C8030,31	F1H0J1050012	C 1UF, K, 16V	2	
C8032	F1J1A106A043	C 0.010UF, K, 10V	1	
C8033,34	F1G1C104A081	C 0.10UF, K, 16V	2	
C8035,36	F1J1A106A043	C 0.010UF, K, 10V	2	
C8037-41	F1G1C104A081	C 0.10UF, K, 16V	5	
C8042	ECGRL0G680ER	C 68PF, J, 4V	1	
C8043-51	F1G1C104A081	C 0.10UF, K, 16V	9	
C8052	F1H0J1050012	C 1UF, K, 16V	1	
C8053	F1G1E1030005	C 0.01UF, Z, 25V	1	
C8056,57	F1G1C104A081	C 0.10UF, K, 16V	2	
C8058	F1J1A106A043	C 0.010UF, K, 10V	1	
C8067	F1G1E1030005	C 0.01UF, Z, 25V	1	
C8068	F1G1C104A081	C 0.10UF, K, 16V	1	
C8069	F1GLH820A565	E 82UF, 50V	1	
C8070-74	F1G1C104A081	C 0.10UF, K, 16V	5	
C8075	F1J0G2260001	C 0.001UF, 6.3V	1	
C8076-80	F1G1C104A081	C 0.10UF, K, 16V	5	
C8551,52	F1G1C104A081	C 0.10UF, K, 16V	2	
C8555	F1G1C104A081	C 0.10UF, K, 16V	1	
C8601	F1G1C104A081	C 0.10UF, K, 16V	1	
C8621,22	F1G1C104A081	C 0.10UF, K, 16V	2	
C8731	F1G1E1030005	C 0.01UF, Z, 25V	1	
C8802,03	F1G1C104A081	C 0.10UF, K, 16V	2	
C9028,29	F1J1A106A043	C 0.010UF, K, 10V	2	
C9033,34	F1G1C104A083	C 0.10UF, K, 16V	2	
C9035,36	F1J1A106A043	C 0.010UF, K, 10V	2	
C9037	F1G1E1030005	C 0.01UF, Z, 25V	1	
C9039	F1J1A106A043	C 0.010UF, K, 10V	1	
C9040	F1G1C104A083	C 0.10UF, K, 16V	1	
C9044	ECJ2YB0J475K	C 3.3UF, Z, 4.7V	1	
C9045-53	F1G1C104A083	C 0.10UF, K, 16V	9	
C9055-57	F1G1C104A083	C 0.10UF, K, 16V	3	
C9058	F1J1A106A043	C 0.010UF, K, 10V	1	
C9061	F1G1C104A077	C 0.10UF, K, 16V	1	
C9062	ECJ2YB0J475K	C 3.3UF, Z, 4.7V	1	
C9063	F1G1C104A083	C 0.10UF, K, 16V	1	
C9468	F1G1E1030005	C 0.01UF, Z, 25V	1	

Ref. No.	Part No.	Part Name & Description	Pcs	Remarks
C9469	FLG1C104A083	C 0.10UF, K, 16V	1	
C9500	FLG1C104A077	C 0.10UF, K, 16V	1	
C9505	FLG1C104A077	C 0.10UF, K, 16V	1	
C9508	FLG1C104A077	C 0.10UF, K, 16V	1	
C9509,10	FLG1H120A565	E 12UF, 50V	2	
C9511	FLJ1A106A043	C 0.010UF, K, 10V	1	
C9516-25	FLG1C104A077	C 0.10UF, K, 16V	10	
C9526	FLJ1A106A043	C 0.010UF, K, 10V	1	
C9527,28	FLG1C104A077	C 0.10UF, K, 16V	2	
C9531	FLJ1A106A043	C 0.010UF, K, 10V	1	
C9559-64	FLG1C104A077	C 0.10UF, K, 16V	6	
C9823	ECJ3YB1E106M	C 10 UF, K, 25V	1	
C9825	FLG1H101A565	C 100PF, K, 50V	1	
C9832	FLJ1A106A043	C 0.010UF, K, 10V	1	
C9837	FLJ1A106A043	C 0.010UF, K, 10V	1	
C9838	FLG1C104A083	C 0.10UF, K, 16V	1	
C9840	FLG1E1030005	C 0.01UF, Z, 25V	1	
C9841-43	FLG1C104A083	C 0.10UF, K, 16V	3	
C9844	FLG1E1030005	C 0.01UF, Z, 25V	1	
C9845,46	FLG1C104A083	C 0.10UF, K, 16V	2	
C9858	ECJ3YB1E106M	C 10 UF, K, 25V	1	
C9859	FLG1E1030005	C 0.01UF, Z, 25V	1	
C9860	ECJ2YB0J475K	C 3.3UF, Z, 4.7V	1	
C9861,62	ECJ1VB1E104K	C 0.10UF, K, 25V	2	
C9863	ECJ2YB0J475K	C 3.3UF, Z, 4.7V	1	
C9864	ECJ1VB1E104K	C 0.10UF, K, 25V	1	
C9865,66	ECGRLOG680ER	C 68PF, J, 4V	2	
C9867-72	ECJ3YB1E106M	C 10 UF, K, 25V	6	
C9873	ECGRLOG680ER	C 68PF, J, 4V	1	
C9874	FLG1H680A565	E 68UF, 50V	1	
C9877	FLG1H680A565	E 68UF, 50V	1	
C9878	FLG1E1030005	C 0.01UF, Z, 25V	1	
C9879,80	FLG1E822A086	C 8200UF, Z, 25V	2	
C9881	FLG1E1030005	C 0.01UF, Z, 25V	1	
C9882	FLG1E822A086	C 8200UF, Z, 25V	1	
C9883	FLG1H101A565	C 100PF, K, 50V	1	
C9884,85	FLG1H1020008	E 1000UF, 50V	2	
C9886,87	ECJ1VB1E104K	C 0.10UF, K, 25V	2	
C9888	FLG1H361A565	E 360UF, 50V	1	
C9900-25	FLG1C104A077	C 0.10UF, K, 16V	26	
C9927-51	FLG1C104A077	C 0.10UF, K, 16V	25	
C9955-59	FLG1C104A077	C 0.10UF, K, 16V	5	
C9960-64	FLJ1A106A043	C 0.010UF, K, 10V	5	
C9966,67	FLG1C104A077	C 0.10UF, K, 16V	2	
CB1-B8	K1MN68BA0052	68P CONNECTOR	8	
D5	K1KB31BA0064	31P CONNECTOR	1	
D6	K1KA21A00011	21P CONNECTOR	1	
D9	K1KA07A00292	7P CONNECTOR	1	
D20	K1KY30BA0090	30P CONNECTOR	1	
D25	K1KA13B00069	13P CONNECTOR	1	
D31,32	K1MN55BA0257	55P CONNECTOR	2	
D450	MA188	DIODE	1	
D1107	MA704A	DIODE	1	
D2026	MA2J11100L	DIODE	1	
D2028,29	MA2J11100L	DIODE	2	
D2031-34	MA2J11100L	DIODE	4	
D2119	BOBC01100001	ZENER DIODE	1	
D2189	MA2J11100L	DIODE	1	
D2301,02	MA2J11100L	DIODE	2	
D2303	MA3056H	ZENER DIODE	1	
D2304	MA2J11100L	DIODE	1	
D2512	MA8043LTX	ZENER DIODE	1	
D2520	LNJ107W5PRW	LED	1	
D2524	MAZ80560ML	ZENER DIODE	1	
D2632,33	MA2J11100L	DIODE	2	
D2634	MA3X78900L	ZENER DIODE	1	

Ref. No.	Part No.	Part Name & Description	Pcs	Remarks
D2635	MA2J11100L	DIODE	1	
D2636	MA3047H	ZENER DIODE	1	
D2637	MA2J11100L	DIODE	1	
D2638	BOBC03900015	ZENER DIODE	1	
D3003	MA8140M	ZENER DIODE	1	
D3005,06	MA8140M	ZENER DIODE	2	
D3035-43	MA8140M	ZENER DIODE	9	
D3044	BOBC01100001	ZENER DIODE	1	
D3045-49	MA8140M	ZENER DIODE	5	
D3100	MA8140M	ZENER DIODE	1	
D3102	MA2J11100L	DIODE	1	
D3334-38	MA2J11100L	DIODE	5	
D3702	MA8140M	ZENER DIODE	1	
D4500-12	EZAEG2A50AX	DIODE	13	
D4513	MA3056MTX	ZENER DIODE	1	
D4514	EZAEG2A50AX	DIODE	1	
D4515	MA3056MTX	ZENER DIODE	1	
D4516-23	EZAEG2A50AX	DIODE	8	
D4524-27	BOHCMM000014	DIODE	4	
D4528	EZAEG2A50AX	DIODE	1	
D4532	BOHCMM000014	DIODE	1	
D5517	MTZJ10B	ZENER DIODE	1	
D5518	MTZJ12B	ZENER DIODE	1	
D5519	MTZJ6R8B	ZENER DIODE	1	
D5521	MA2J11100L	DIODE	1	
D5522	MA3X152A0L	DIODE	1	
D5526	MA3X152A0L	DIODE	1	
D5528	MA8120M	ZENER DIODE	1	
D5529	MAZ80680LL	ZENER DIODE	1	
D5530	MA2J11100L	DIODE	1	
D5601,02	MA22D3900L	DIODE	2	
D5603,04	BOJCDD000002	DIODE	2	
D5605	MA22D3900L	DIODE	1	
D5606	BOJCDD000002	DIODE	1	
D5607,08	MA8024LTX	ZENER DIODE	2	
D5609	MA8056LTX	ZENER DIODE	1	
D5670	MA2J11100L	DIODE	1	
D5671	BOHCMM000014	DIODE	1	
D5673	BOHCMM000014	DIODE	1	
D5690,91	BOBC6R600005	ZENER DIODE	2	
D6001	BOHBSN000008	DIODE	1	
D6021	MA3DF30000LZ	ZENER DIODE	1	
D6024,25	BOEHP000003	DIODE	2	
D6032	MA2J11100L	DIODE	1	
D6061,62	MA3DF30000LZ	ZENER DIODE	2	
D6071,72	BOHBSN000008	DIODE	2	
D6082	MA3DF30000LZ	ZENER DIODE	1	
D6091	BOHBSN000008	DIODE	1	
D6092	BOEHP000003	DIODE	1	
D6101	BOJCME000037	DIODE	1	
D6104	BOJCME000037	DIODE	1	
D6131,32	BOEHP000003	DIODE	2	
D6151-53	BOEHP000003	DIODE	3	
D6191	BOEHP000003	DIODE	1	
D6193	BOEHP000003	DIODE	1	
D6211	BOJCME000037	DIODE	1	
D6221	BOEHP000003	DIODE	1	
D6222,23	MA2J11100L	DIODE	2	
D6253	LNJ301MPUJA	LED	1	
D6254	MAZ80510LL	ZENER DIODE	1	
D6255	MA2J11100L	DIODE	1	
D6273	MA2J11100L	DIODE	1	
D6275	MA8068M	ZENER DIODE	1	
D6276	MA3X152A0L	DIODE	1	
D6278	MA3X152A0L	DIODE	1	
D6280	MAZ80510LL	ZENER DIODE	1	
D6281	BOJCME000037	DIODE	1	
D6401,02	BOHBSN000008	DIODE	2	
D6422	MA3DF40000LZ	ZENER DIODE	1	
D6441	BOEHP000003	DIODE	1	
D6451	BOEHP000003	DIODE	1	
D6461,62	MA3DF30000LZ	ZENER DIODE	2	
D6466	MA2J11100L	DIODE	1	

Ref. No.	Part No.	Part Name & Description	Pcs	Remarks
D6471	B0HBSN000008	DIODE	1	
D6472	B0ECHP000003	DIODE	1	
D6477	MA2J11100L	DIODE	1	
D6478	B0HCKS000002	DIODE	1	
D6480	MA2J11100L	DIODE	1	
D6481	MA3DF30000LZ	ZENER DIODE	1	
D6491	MA3DF40000LZ	ZENER DIODE	1	
D6497	B0ECHP000003	DIODE	1	
D6501	B0ECHP000003	DIODE	1	
D6503	B0ECHP000003	DIODE	1	
D6521-23	B0ECHP000003	DIODE	3	
D6583	LNJ301MPUJA	LED	1	
D6584	MAZ80510LL	ZENER DIODE	1	
D6585	MA2J11100L	DIODE	1	
D6604	MA2J11100L	DIODE	1	
D6605	MAZ80510LL	ZENER DIODE	1	
D6606	B0HCMM000014	DIODE	1	
D6607	MA2J11100L	DIODE	1	
D6619	B0HCKS000002	DIODE	1	
D6621	B0HDSM000005	DIODE	1	
D6623, 24	B0HDSM000005	DIODE	2	
D6631, 32	MA8240MTX	ZENER DIODE	2	
D6641, 42	B0HCKS000002	DIODE	2	
D6643	B0JCME000037	DIODE	1	
D6644	B0HCKS000002	DIODE	1	
D6661	MA2J11100L	DIODE	1	
D6662-64	MA8330M	ZENER DIODE	3	
D6665	MAZ80510LL	ZENER DIODE	1	
D6666, 67	MA2J11100L	DIODE	2	
D6670, 71	B0JCME000037	DIODE	2	
D6690	MA2J11100L	DIODE	1	
D6691, 92	MA8200M	ZENER DIODE	2	
D6701	MA8056H	ZENER DIODE	1	
D6702, 03	MA2J11100L	DIODE	2	
D6721	B0HCKS000002	DIODE	1	
D6722	MA2J11100L	DIODE	1	
D6725	B0ECHP000003	DIODE	1	
D6726-33	MA8056H	ZENER DIODE	8	
D6761	B0JCME000037	DIODE	1	
D6763	B0ECHP000003	DIODE	1	
D6764	B0HCKS000002	DIODE	1	
D6765, 66	B0ECHP000003	DIODE	2	
D6773	B0HCKS000002	DIODE	1	
D6791	MA8200M	ZENER DIODE	1	
D6802	B0BC01000044	ZENER DIODE	1	
D6804	B0ECHP000003	DIODE	1	
D6805	MA8240MTX	ZENER DIODE	1	
D6806	B0HCKS000002	DIODE	1	
D6809	B0HCMM000014	DIODE	1	
D6820-23	MA2J11100L	DIODE	4	
D6824, 25	MA8330M	ZENER DIODE	2	
D6826	MA2J11100L	DIODE	1	
D6827, 28	MA8330M	ZENER DIODE	2	
D6830	MA8056H	ZENER DIODE	1	
D6836	MAZ81500ML	ZENER DIODE	1	
D6837	MA2J11100L	DIODE	1	
D6838	B0BC027A0234	ZENER DIODE	1	
D6839	B0ECHP000003	DIODE	1	
D6841	B0HCKS000002	DIODE	1	
D6842, 43	MA2J11100L	DIODE	2	
D6859	B0ECHP000003	DIODE	1	
D6860	B0HCKS000002	DIODE	1	
D6861	MAZ80510LL	ZENER DIODE	1	
D6862	MA2J11100L	DIODE	1	
D6871	MAZ80510LL	ZENER DIODE	1	
D6872	MA2J11100L	DIODE	1	
D6901, 02	MA8056H	ZENER DIODE	2	
D6903-05	B0HCMM000013	DIODE	3	
D6951, 52	MA8056H	ZENER DIODE	2	
D6953-55	B0HCMM000013	DIODE	3	
D7103-10	B0HCMM000014	DIODE	8	
D7201-08	B0HCMM000014	DIODE	8	
D9017-19	MA3033L	ZENER DIODE	3	

Ref. No.	Part No.	Part Name & Description	Pcs	Remarks
D9020	B0JCCE000008	DIODE	1	
D9110	B0JCGD000002	DIODE	1	
D9802	B0JCCE000008	DIODE	1	
D9804	B0JCCE000008	DIODE	1	
D9807, 08	B0JCCE000008	DIODE	2	
D9811	B0JCCE000008	DIODE	1	
D9812	MA22D3900L	DIODE	1	
D9813-15	B0JCGD000002	DIODE	3	
D9816, 17	MA22D3900L	DIODE	2	
DG1	K1KA12B00151	12P CONNECTOR	1	
DG2	K1KB23A00003	23P CONNECTOR	1	
DG5	K1KB31AA0140	31P CONNECTOR	1	
DG6	K1KB80AA0218	80P CONNECTOR	1	
DG32	K1KA07AA0266	7P CONNECTOR	1	
DG33	K1KA11AA0153	11P CONNECTOR	1	
DG34	K1KA30AA0009	30P CONNECTOR	1	
DG52	K1KA14A00248	14P CONNECTOR	1	
FL2001, 02	J0HABB000004	LC FILTER	2	
FL2003-06	J0HABB000003	LC FILTER	4	
FL3001, 02	J0HABB000003	LC FILTER	2	
FL3003-05	J0HABB000004	LC FILTER	3	
FL3006, 07	J0JAD0000028	CHIP INDUCTOR	2	
FL3008	J0HABB000003	LC FILTER	1	
FL3710-12	J0MAB0000199	LC FILTER	3	
FL4800-02	J0JAD0000028	CHIP INDUCTOR	3	
FL5730	J0HABH000013	LC FILTER	1	
FL5732-34	J0HABH000013	LC FILTER	3	
FL7101	J0HABH000013	LC FILTER	1	
FL7201	J0HABH000013	LC FILTER	1	
FL8801, 02	J0HAAA000013	LC FILTER	2	
FL9300, 01	F1J1E104A148	C 0.10UF, Z, 25V	2	
FL9504	F1J1E104A148	C 0.10UF, Z, 25V	1	
FL9803	F1J1E104A148	C 0.10UF, Z, 25V	1	
FL9805, 06	F1J1E104A148	C 0.10UF, Z, 25V	2	
FL9900-04	F1J1E104A148	C 0.10UF, Z, 25V	5	
G51	K1KY20A00015	20P CONNECTOR	1	
GS52	K1KA12A00317	12P CONNECTOR	1	
H2	K1KA23A00003	23P CONNECTOR	1	
H3, H4	K1KA23A00005	23P CONNECTOR	2	
H6	K1KB80AA0218	80P CONNECTOR	1	
H12	K1KA04AA0190	4P CONNECTOR	1	
H15	K1KA04AA0150	4P CONNECTOR	1	
H51	K1KA20AA0178	20P CONNECTOR	1	
IC1100	MNZSFD7GP42	IC	1	
IC1101	TVRP571	IC	1	
IC2004	C0JBAZ002205	IC	1	
IC2005, 06	C0JBAB000722	IC	2	
IC2008	C0CBCBE00001	IC	1	
IC2010	C0CBCBC00190	IC	1	
IC2011	C0ABBB000230	IC	1	
IC2012	C1BB00000947	IC	1	
IC2013	C0DBGYY00281	IC	1	
IC2105	AN15862A-VT	IC	1	
IC2106	C1AB00002746	IC	1	
IC2107	C0DBFFD00003	IC	1	
IC2301	C1AB00002730	IC	1	
IC2303	C0DBGYY00202	IC	1	
IC2601	C0JBAU000034	IC	1	
IC2610	C0DBAJB00004	IC	1	
IC3001	AN15876A-VT	IC	1	
IC4500	TVRP317	IC	1	
IC4501	TVRP316	IC	1	
IC4504	C3EBEY000009	IC	1	
IC4506	C0DBGGF00001	IC	1	
IC4507	C0CBCBC00190	IC	1	
IC4508, 09	C0CBCAD00082	IC	2	
IC4510	C1AB00002753	IC	1	

Ref. No.	Part No.	Part Name & Description	Pcs	Remarks
IC4515	NJM2903V	IC	1	
IC4800	CLZBZ0003577	IC	1	
IC5550	EHMDD9851	LINEAR IC	1	
IC5600	CODBAYY00273	IC	1	
IC5601	CODBAYY00274	IC	1	
IC5660	COEBM0000026	IC	1	
IC5670	COCBCBC00190	IC	1	
IC5671	COEBF0000376	IC	1	
IC6131	COZBZ0000895	IC	1	
IC6151	COZBZ0001324	IC	1	
IC6191	COZBZ0000895	IC	1	
IC6211	COZBZ0001325	IC	1	
IC6221	CODBEMC00043	IC	1	
IC6241	COJBAZ0000005	IC	1	
IC6251	NJM2903M	INTEGRATED CIRCUIT	1	
IC6471	CODBEKA00003	IC	1	
IC6472	COJBAA000377	IC	1	
IC6501	COZBZ0000895	IC	1	
IC6521	COZBZ0001324	IC	1	
IC6561,62	COJBAZ0000005	IC	2	
IC6581	NJM2903M	INTEGRATED CIRCUIT	1	
IC6671	COZBZ0001325	IC	1	
IC6721,22	COJBAZ0000994	IC	2	
IC6724,25	COCBADC00072	IC	2	
IC6752	COZBZ0001324	IC	1	
IC6771	COCBADC00072	IC	1	
IC6772	COZBZ0001325	IC	1	
IC6773,74	COJBAA000377	IC	2	
IC6791	NOBF1FB00001	IC	1	
IC6801,02	CODBEMC00043	IC	2	
IC6803	C5HABZ00165	IC	1	
IC6821	CODBEMC00043	IC	1	
IC6841	CODBEMC00043	IC	1	
IC6861	NJM2903M	INTEGRATED CIRCUIT	1	
IC6871	NJM2903M	INTEGRATED CIRCUIT	1	
IC6901-06	AN16077A-VT	IC	6	
IC6951-56	AN16077A-VT	IC	6	
IC7101,02	COJBAZ001120	IC	2	
IC7201,02	COJBAZ001120	IC	2	
IC7204	COJBAZ001120	IC	1	
IC8001	MN2WS0039A	IC	1	
IC8002,03	C3ABRG000080	IC	2	
IC8004	COZBZ0001030	IC	1	
IC8554	TVRP489	IC	1	
IC8601	TVRP308	IC	1	
IC8621,22	COJBAZ002845	IC	2	
IC9001	TVRP207-2	IC	1	
IC9002	CLZBZ0003577	IC	1	
IC9003	MNZSFC9GPH2	IC	1	
IC9007	TVRP210-4	IC	1	
IC9011	COEBF0000431	IC	1	
IC9013	COJBAZ002060	IC	1	
IC9200	CLZBZ0003600	IC	1	
IC9303	TVRP215-3	IC	1	
IC9500	CLZBZ0003575	IC	1	
IC9802,03	COJBAZ001120	IC	2	
IC9805	CODBAYY00274	IC	1	
IC9806	CODBAYY00273	IC	1	
IC9900	MN84524	IC	1	
IC9901	C3ABQJ000055	IC	1	
J410	DOXOR0000056	M 0 OHM, 1/10W	1	
JA2	ERJ6GEY0R00V	M 0 OHM, 1/10W	1	
JA4-A8	ERJ6GEY0R00V	M 0 OHM, 1/10W	5	
JK2003	K2HA204A0053	JACK	1	
JK3001	K1FB315A0006	CONNECTOR	1	
JK3100	K1U936A00002	CONNECTOR UNIT	1	
JK3701C	K4AK18B00003	TERMINAL BOARD	1	

Ref. No.	Part No.	Part Name & Description	Pcs	Remarks
JK4500,01	K1FY119D0002	CONNECTOR	2	
JK7701	K1NA09E00080	9P CONNECTOR	1	
JS1100	DOYAR0000007	M 0.0 OHM, J,0.063W	1	
JS1114	DOYAR0000007	M 0.0 OHM, J,0.063W	1	
JS2031-33	JOJCC0000100	CHIP INDUCTOR	3	
JS2046	JOJCC0000100	CHIP INDUCTOR	1	
JS2048,49	JOJCC0000100	CHIP INDUCTOR	2	
JS2051	JOJCC0000100	CHIP INDUCTOR	1	
JS2059-62	JOJCC0000100	CHIP INDUCTOR	4	
JS2064	JOJCC0000100	CHIP INDUCTOR	1	
JS2096	JOJCC0000100	CHIP INDUCTOR	1	
JS2101	JOJCC0000100	CHIP INDUCTOR	1	
JS2517	JOJCC0000100	CHIP INDUCTOR	1	
JS3000	JOJCC0000100	CHIP INDUCTOR	1	
JS3010-15	ERJ6GEY0R00V	M 0 OHM, 1/10W	6	
JS3023,24	JOJCC0000100	CHIP INDUCTOR	2	
JS3032	JOJCC0000100	CHIP INDUCTOR	1	
JS3206	JOJCC0000100	CHIP INDUCTOR	1	
JS3208	JOJCC0000100	CHIP INDUCTOR	1	
JS3213	ERJ6GEY0R00V	M 0 OHM, 1/10W	1	
JS3700	JOJCC0000100	CHIP INDUCTOR	1	
JS3704,05	ERJ6GEY0R00V	M 0 OHM, 1/10W	2	
JS3707,08	ERJ6GEY0R00V	M 0 OHM, 1/10W	2	
JS4501	DOYAR0000007	M 0.0 OHM, J,0.063W	1	
JS7701	JOJCC0000100	CHIP INDUCTOR	1	
K1	K1KY12B00001	12P CONNECTOR	1	
L1100	JOJHC0000078	CHIP INDUCTOR	1	
L2001,02	JOJCC0000364	CHIP INDUCTOR	2	
L2003,04	JOJCC0000100	BEAD CHOKE	2	
L2007,08	JOJCC0000100	BEAD CHOKE	2	
L2011,12	JOJCC0000100	BEAD CHOKE	2	
L2015,16	JOJCC0000100	BEAD CHOKE	2	
L2021	JOJHC0000078	CHIP INDUCTOR	1	
L2026	GLC6R8MA0061	INDUCTOR COIL	1	
L2027	JOJHC0000045	CHIP INDUCTOR	1	
L2029	JOJCC0000077	CHIP INDUCTOR	1	
L2034,35	JOJCC0000364	CHIP INDUCTOR	2	
L2039,40	JOJHC0000045	CHIP INDUCTOR	2	
L2300	GLC100MA0291	INDUCTION COIL	1	
L2302	GLC100MA0291	INDUCTION COIL	1	
L2304	GLC100MA0291	INDUCTION COIL	1	
L2306	GLC100MA0291	INDUCTION COIL	1	
L2308	JOJJC0000011	CHIP INDUCTOR	1	
L2310	JOJJC0000011	CHIP INDUCTOR	1	
L2647	ERJ6GEY0R00V	M 0 OHM, 1/10W	1	
L2648	GLC470MA0077	INDUCTION COIL	1	
L2649	GLC100MA0072	INDUCTION COIL	1	
L2650	GLC3R3ZA0083	INDUCTION COIL	1	
L3001-03	JOJCC0000100	BEAD CHOKE	3	
L3010	JOJCC0000100	BEAD CHOKE	1	
L3013	JOJCC0000100	BEAD CHOKE	1	
L3206-08	JOJCC0000241	CHIP INDUCTOR	3	
L3209	JOJGC0000021	CHIP INDUCTOR	1	
L3211	JOJGC0000021	CHIP INDUCTOR	1	
L3700,01	JOJCC0000364	CHIP INDUCTOR	2	
L3707,08	JOJCC0000100	BEAD CHOKE	2	
L4500-07	JOJHC0000078	CHIP INDUCTOR	8	
L4511	JOJHC0000078	CHIP INDUCTOR	1	
L4512	JOJCC0000077	CHIP INDUCTOR	1	
L4516-18	JOJHC0000078	CHIP INDUCTOR	3	
L4520,21	JOJHC0000078	CHIP INDUCTOR	2	
L4524	JOJHC0000078	CHIP INDUCTOR	1	
L5550	TALL08N2R7MA	INDUCTION COIL	1	
L5551,52	GOC150MA0056	PEAKING COIL	2	
L5564	TALL08N2R7MA	INDUCTION COIL	1	
L5565	GOA220GA0002	CHOKE COIL	1	
L5566	TALL08N2R7MA	INDUCTION COIL	1	
L5600,01	GLC2R2ZA0083	INDUCTION COIL	2	

Ref. No.	Part No.	Part Name & Description	Pcs	Remarks
L5602	G1C3R3ZA0083	INDUCTION COIL	1	
L5604	G1C100MA0077	INDUCTION COIL	1	
L5605	J0JCC0000241	CHIP INDUCTOR	1	
L5606	G1C100MA0077	INDUCTION COIL	1	
L5610,11	J0JHC0000035	CHIP INDUCTOR	2	
L5670	J0JHC0000078	CHIP INDUCTOR	1	
L5690,91	J0JHC0000078	CHIP INDUCTOR	2	
L5692	J0JCC0000241	CHIP INDUCTOR	1	
L5735	J0JHC0000078	CHIP INDUCTOR	1	
L6000	J0JCC0000015	CHIP INDUCTOR	1	
L6001-03	ELC13P1R9	CHOKE COIL	3	
L6010	J0JCC0000015	CHIP INDUCTOR	1	
L6011-13	ELC13P1R9	CHOKE COIL	3	
L6045-48	G0ZZ00002183	PEAKING COIL	4	
L6057,58	G0ZZ00002183	PEAKING COIL	2	
L6061-64	G0ZZ00002183	PEAKING COIL	4	
L6083,84	G0ZZ00002183	PEAKING COIL	2	
L6101	J0JCC0000015	CHIP INDUCTOR	1	
L6103	G0ZZ00002183	PEAKING COIL	1	
L6106	J0JCC0000015	CHIP INDUCTOR	1	
L6212	J0JCC0000015	CHIP INDUCTOR	1	
L6221	G0ZZ00002183	PEAKING COIL	1	
L6241	G0ZZ00002183	PEAKING COIL	1	
L6262	G0ZZ00002183	PEAKING COIL	1	
L6271	G0ZZ00002183	PEAKING COIL	1	
L6401-03	ELC13P1R9	CHOKE COIL	3	
L6411-13	ELC13P1R9	CHOKE COIL	3	
L6461-68	G0ZZ00002183	PEAKING COIL	8	
L6472	G0ZZ00002183	PEAKING COIL	1	
L6474	G0ZZ00002183	PEAKING COIL	1	
L6481,82	G0ZZ00002183	PEAKING COIL	2	
L6485,86	G0ZZ00002183	PEAKING COIL	2	
L6591,92	G0ZZ00002183	PEAKING COIL	2	
L6601,02	G0ZZ00002183	PEAKING COIL	2	
L6690	G0ZZ00002183	PEAKING COIL	1	
L7721	J0JCC0000143	CHIP INDUCTOR	1	
L8001-05	J0JHC0000045	CHIP INDUCTOR	5	
L8006	J0JCC0000100	CHIP INDUCTOR	1	
L8007-10	J0JHC0000045	CHIP INDUCTOR	4	
L8551	J0JCC0000241	CHIP INDUCTOR	1	
L8621	J0JCC0000241	CHIP INDUCTOR	1	
L8801	J0JHC0000045	CHIP INDUCTOR	1	
L9500	G1C150KA0038	INDUCTION COIL	1	
L9501,02	J0JHC0000078	CHIP INDUCTOR	2	
L9504,05	J0JHC0000078	CHIP INDUCTOR	2	
L9800	G1C2R2Z00007	INDUCTION COIL	1	
L9801	G1C1R5Z00006	INDUCTION COIL	1	
L9802	G1C2R2Z00007	INDUCTION COIL	1	
NP	TNPA4216AB	CIRCUIT BOARD H	1	△
NP	TXNDG1HNLT	CIRCUIT BOARD DG	1	△
NP	TNPA4178AE	CIRCUIT BOARD PA	1	△
NP	TNPA4165	CIRCUIT BOARD C1	1	△
NP	TNPA4166	CIRCUIT BOARD C2	1	△
NP	TZTNP01HNLT	CIRCUIT BOARD D	1	△
NP	TNPA4221AD	CIRCUIT BOARD P	1	△
NP	TNPA4182	CIRCUIT BOARD SC	1	△
NP	TNPA4185	CIRCUIT BOARD SD	1	△
NP	TNPA4183	CIRCUIT BOARD SS	1	△
NP	TNPA4184	CIRCUIT BOARD SU	1	△
NP	TNPA4262AB	CIRCUIT BOARD G	1	△
NP	TNPA4139AC	CIRCUIT BOARD GS	1	△
NP	TNPA4137AJ	CIRCUIT BOARD K	1	△
NP	TNPA4138AD	CIRCUIT BOARD S	1	△
PA3,A4	K1KB23A00004	23P CONNECTOR	2	
PA5	K1KA23A00005	23P CONNECTOR	1	
PA9800	K5H4022A0023	FUSE	1	
PA9900	K5H5022A0023	FUSE	1	
PAMM3	TMME047	CLAMPER	1	
PAMM7	TMME047	CLAMPER	1	
PAMM11,12	TMME300	CLAMPER	2	

Ref. No.	Part No.	Part Name & Description	Pcs	Remarks
PC6480	B3PBA0000223	IC	1	
PC6701,02	B3PBA0000457	IC	2	
PC6704	B3PBA0000456	IC	1	
PC6705	B3PBA0000397	IC	1	
PC6801	B3PBA0000223	IC	1	
PC6861	B3PBA0000223	IC	1	
PC6871	B3PBA0000223	IC	1	
Q1107,08	2SD0601ARL	TRANSISTOR	2	
Q2000,01	2SD0601ARL	TRANSISTOR	2	
Q2002,03	2SC584500L	TRANSISTOR	2	
Q2015	2SA207700L	TRANSISTOR	1	
Q2016,17	2SC584500L	TRANSISTOR	2	
Q2021	2SA207700L	TRANSISTOR	1	
Q2031	2SA207700L	TRANSISTOR	1	
Q2033	2SA207700L	TRANSISTOR	1	
Q2034,35	2SC584500L	TRANSISTOR	2	
Q2039-42	2SC584500L	TRANSISTOR	4	
Q2101,02	2SC584500L	TRANSISTOR	2	
Q2301	2SA207700L	TRANSISTOR	1	
Q2510,11	2SD0601ARL	TRANSISTOR	2	
Q2513	2SD0601ARL	TRANSISTOR	1	
Q2635	2SC584500L	TRANSISTOR	1	
Q2636,37	2SA207700L	TRANSISTOR	2	
Q2638	2SC584500L	TRANSISTOR	1	
Q2639	2SK3065T100	FET	1	
Q3031,32	2SC584500L	TRANSISTOR	2	
Q3200	2SA207700L	TRANSISTOR	1	
Q4500-05	2SD0601ARL	TRANSISTOR	6	
Q4514-17	2SB0709ARL	TRANSISTOR	4	
Q5501	2SD0601ARL	TRANSISTOR	1	
Q5521,22	2SA207700L	TRANSISTOR	2	
Q5523,24	2SD0601ARL	TRANSISTOR	2	
Q5561	B1DHDC000028	TRANSISTOR	1	
Q5562	2SD0601ARL	TRANSISTOR	1	
Q5600-02	B1MBEDA00015	TRANSISTOR	3	
Q5603,04	2SD0601ARL	TRANSISTOR	2	
Q5690,91	2SD0601ARL	TRANSISTOR	2	
Q5692,93	B1DHDC000028	TRANSISTOR	2	
Q6001-03	B1JADN000001	TRANSISTOR	3	
Q6021-23	B1JADN000001	TRANSISTOR	3	
Q6031	B1ADRD000001	TRANSISTOR	1	
Q6041,42	B1JADN000002	TRANSISTOR	2	
Q6052	B1JADN000002	TRANSISTOR	1	
Q6101	B1DFKM000002	TRANSISTOR	1	
Q6103	B1ABNF000006	TRANSISTOR	1	
Q6104	B1ADNF000006	TRANSISTOR	1	
Q6106	B1DFKM000002	TRANSISTOR	1	
Q6111	B1DFKM000001	TRANSISTOR	1	
Q6114	B1DFKM000001	TRANSISTOR	1	
Q6141	B1ABNF000006	TRANSISTOR	1	
Q6142	B1ADNF000006	TRANSISTOR	1	
Q6146	B1ABNF000006	TRANSISTOR	1	
Q6147	B1ADNF000006	TRANSISTOR	1	
Q6171	B1ABRD000003	TRANSISTOR	1	
Q6172	B1ADRD000001	TRANSISTOR	1	
Q6181	B1ABRD000003	TRANSISTOR	1	
Q6222	2SC1473AEA	TRANSISTOR	1	
Q6251	2SD0601ARL	TRANSISTOR	1	
Q6256	2SD1263A	TRANSISTOR	1	
Q6271	2SD0601ARL	TRANSISTOR	1	
Q6401-03	B1JADN000001	TRANSISTOR	3	
Q6421-23	B1JADP000002	TRANSISTOR	3	
Q6441,42	B1JADN000002	TRANSISTOR	2	
Q6451	B1JADP000002	TRANSISTOR	1	
Q6501	B1ABNF000006	TRANSISTOR	1	
Q6502	B1ADNF000006	TRANSISTOR	1	
Q6521	B1ABNF000006	TRANSISTOR	1	
Q6522	B1ADNF000006	TRANSISTOR	1	
Q6531	B1ABRD000003	TRANSISTOR	1	
Q6532	B1ADRD000001	TRANSISTOR	1	
Q6551	B1ABRD000003	TRANSISTOR	1	

Ref. No.	Part No.	Part Name & Description	Pcs	Remarks
Q6552	BLADRD000001	TRANSISTOR	1	
Q6581	2SD0601ARL	TRANSISTOR	1	
Q6601	BLDFES000003	TRANSISTOR	1	
Q6602	2SD0601ARL	TRANSISTOR	1	
Q6603	2SB0709ARL	TRANSISTOR	1	
Q6621,22	2SK399500L	FET	2	
Q6642-44	2SK399500L	FET	3	
Q6646-48	2SK399500L	FET	3	
Q6661	BLDEET000002	TRANSISTOR	1	
Q6662	2SD0601ARL	TRANSISTOR	1	
Q6665	BLABNF000006	TRANSISTOR	1	
Q6671,72	BLDFDR000001	TRANSISTOR	2	
Q6679	BLABNF000006	TRANSISTOR	1	
Q6680	BLADNF000006	TRANSISTOR	1	
Q6690	2SA19610Q0HW	TRANSISTOR	1	
Q6742,43	2SD0601ARL	TRANSISTOR	2	
Q6762	BLADNF000006	TRANSISTOR	1	
Q6781	BLABNF000006	TRANSISTOR	1	
Q6782	BLADNF000006	TRANSISTOR	1	
Q6791	2SD0601ARL	TRANSISTOR	1	
Q6805	2SC3063	TRANSISTOR	1	
Q6806	2SC1473AEA	TRANSISTOR	1	
Q6821,22	2SD1263A	TRANSISTOR	2	
Q6824	2SD0601ARL	TRANSISTOR	1	
Q6841	2SD1263A	TRANSISTOR	1	
Q6842	2SC1473AEA	TRANSISTOR	1	
Q8911-13	2SD0601ARL	TRANSISTOR	3	
Q9010	2SD0601ARL	TRANSISTOR	1	
Q9044	2SD0601ARL	TRANSISTOR	1	
Q9046	2SD0601ARL	TRANSISTOR	1	
Q9050-54	2SD0601ARL	TRANSISTOR	5	
Q9301,02	2SD0601ARL	TRANSISTOR	2	
Q9805,06	2SD0601ARL	TRANSISTOR	2	
Q9807-09	BLMBEDA00015	TRANSISTOR	3	
R1104	ERJ2GEJ473	M 47KOHM, J,0.063W	1	
R1122	ERJ2GEJ473	M 47KOHM, J,0.063W	1	
R1124,25	ERJ2GEJ220	M 22 OHM, J,0.063W	2	
R1134	ERJ2GEJ101	M 100 OHM, J,0.063W	1	
R1140	ERJ2GEJ473	M 47KOHM, J,0.063W	1	
R1144	ERJ2GEJ473	M 47KOHM, J,0.063W	1	
R1146	ERJ2GEJ102X	M 1KOHM, J,0.063W	1	
R1147	ERJ2GEJ473	M 47KOHM, J,0.063W	1	
R1153	ERJ2GEJ821	M 820 OHM, J,0.063W	1	
R1162	ERJ2GEJ101	M 100 OHM, J,0.063W	1	
R1163	ERJ2GEJ105	M 1MOHM, J,0.063W	1	
R1164	ERJ2GEJ103	M 10KOHM, J,0.063W	1	
R1165	ERJ2GEJ182	M 1.8KOHM, J,0.063W	1	
R1166	ERJ2GEJ104	M 100KOHM, J,0.063W	1	
R1169	ERJ2GED563X	M 56KOHM, J,0.063W	1	
R1170	ERJ2GEJ273	M 27KOHM, J,0.063W	1	
R1171	ERJ2GED563X	M 56KOHM, J,0.063W	1	
R1172	ERJ2GEJ273	M 27KOHM, J,0.063W	1	
R1174,75	ERJ2GEJ220	M 22 OHM, J,0.063W	2	
R1179	ERJ2GEJ101	M 100 OHM, J,0.063W	1	
R1181	ERJ2GEJ101	M 100 OHM, J,0.063W	1	

Ref. No.	Part No.	Part Name & Description	Pcs	Remarks
R1182	ERJ2GEJ273	M 27KOHM, J,0.063W	1	
R1183,84	ERJ2GEJ220	M 22 OHM, J,0.063W	2	
R1185,86	ERJ2GEJ101	M 100 OHM, J,0.063W	2	
R1194	ERJ2GED563X	M 56KOHM, J,0.063W	1	
R1195	ERJ2GEJ104	M 100KOHM, J,0.063W	1	
R1196	ERJ2GEJ333	M 33KOHM, J,0.063W	1	
R1199	ERJ2GEJ473	M 47KOHM, J,0.063W	1	
R1200,01	ERJ2GEJ562	M 5.6KOHM, J,0.063W	2	
R1203	ERJ2GEJ473	M 47KOHM, J,0.063W	1	
R1204	DOYAR0000007	M 0.0 OHM, J,0.063W	1	
R1205,06	ERJ2GEJ220	M 22 OHM, J,0.063W	2	
R1209	ERJ2GEJ473	M 47KOHM, J,0.063W	1	
R1216	ERJ2GEJ333	M 33KOHM, J,0.063W	1	
R1217	ERJ2GED563X	M 56KOHM, J,0.063W	1	
R1218-20	ERJ2GEJ103	M 10KOHM, J,0.063W	3	
R1221	ERJ3EKF7151	M 7.15KOHM, 1/16W	1	
R1222-28	ERJ2GEJ473	M 47KOHM, J,0.063W	7	
R1229	ERJ2GEJ101	M 100 OHM, J,0.063W	1	
R1231-34	ERJ2GEJ473	M 47KOHM, J,0.063W	4	
R1235	ERJ2GEJ104	M 100KOHM, J,0.063W	1	
R1236,37	ERJ2GEJ473	M 47KOHM, J,0.063W	2	
R1239	ERJ2GEJ101	M 100 OHM, J,0.063W	1	
R1241	ERJ2GEJ101	M 100 OHM, J,0.063W	1	
R1243-47	ERJ2GEJ473	M 47KOHM, J,0.063W	5	
R1255	ERJ2GEJ102X	M 1KOHM, J,0.063W	1	
R2001	ERJ2GEJ104	M 100KOHM, J,0.063W	1	
R2006	ERJ2GEJ103	M 10KOHM, J,0.063W	1	
R2007	ERJ2GEJ473	M 47KOHM, J,0.063W	1	
R2010-15	ERJ2GEJ473	M 47KOHM, J,0.063W	6	
R2018	ERJ2GEJ473	M 47KOHM, J,0.063W	1	
R2020-23	ERJ2GEJ473	M 47KOHM, J,0.063W	4	
R2025	ERJ2GEJ473	M 47KOHM, J,0.063W	1	
R2027	DOYAR0000007	M 0.0 OHM, J,0.063W	1	
R2029-34	ERJ6GEYJ184	M 180KOHM, J,1/10W	6	
R2047	ERJ3GEYJ331	M 330 OHM,J,1/16W	1	
R2048	ERJ3GEYJ222	M 2.2KOHM, J,1/16W	1	
R2049	ERJ3GEYJ331	M 330 OHM,J,1/16W	1	
R2050	ERJ3GEYJ222	M 2.2KOHM, J,1/16W	1	
R2051,52	ERJ6GEYJ184	M 180KOHM, J,1/10W	2	
R2053,54	ERJ3GEYJ104	M 100KOHM, J,1/16W	2	
R2056,57	ERJ3GEYJ220	M 22 OHM, J,1/16W	2	

Ref. No.	Part No.	Part Name & Description	Pcs	Remarks
R2058	ERJ3GEYJ301	M 300 OHM,J,1/16W	1	
R2059	D0GB105JA057	M 1MOHM,J,1/16W	1	
R2073	ERJ3GEYJ101	M 100 OHM,J,1/16W	1	
R2084	ERJ3GEYJ472	M 4.7KOHM,J,1/16W	1	
R2085	ERJ3GEYJ561	M 560 OHM,J,1/16W	1	
R2086	ERJ3GEYJ471	M 470 OHM,J,1/16W	1	
R2088	ERJ3GEYJ101	M 100 OHM,J,1/16W	1	
R2089	ERJ3GEYJ561	M 560 OHM,J,1/16W	1	
R2092	ERJ3GEYJ471	M 470 OHM,J,1/16W	1	
R2093	ERJ3GEYJ332	M 3.3KOHM,J,1/16W	1	
R2094	ERJ3GEYJ222	M 2.2KOHM,J,1/16W	1	
R2096	D0GB103JA057	M 10KOHM,J,1/16W	1	
R2097	ERJ3GEYJ332	M 3.3KOHM,J,1/16W	1	
R2098,99	D0GB103JA057	M 10KOHM,J,1/16W	2	
R2100	ERJ3EKF2002	M 20KOHM, 1/16W	1	
R2104	ERJ3EKF2001	M 2KOHM, 1/16W	1	
R2110	D0GB103JA057	M 10KOHM,J,1/16W	1	
R2111	ERJ3GEYJ101	M 100 OHM,J,1/16W	1	
R2112	D0GB105JA057	M 1MOHM,J,1/16W	1	
R2113	ERJ3EKF1203	M 120KOHM, 1/16W	1	
R2114	ERJ3EKF7502	M 75KOHM, 1/16W	1	
R2116,17	J0JCC0000100	CHIP INDUCTOR	2	
R2118	D0GB105JA057	M 1MOHM,J,1/16W	1	
R2119	D0GB103JA057	M 10KOHM,J,1/16W	1	
R2122	D0GB103JA057	M 10KOHM,J,1/16W	1	
R2123	D0GB473JA057	M 47KOHM,J,1/16W	1	
R2124	D0GB103JA057	M 10KOHM,J,1/16W	1	
R2125	ERJ3GEYJ222	M 2.2KOHM,J,1/16W	1	
R2127	D0GB103JA057	M 10KOHM,J,1/16W	1	
R2128	D0GB473JA057	M 47KOHM,J,1/16W	1	
R2129	D0GB103JA057	M 10KOHM,J,1/16W	1	
R2131	D0GB103JA057	M 10KOHM,J,1/16W	1	
R2132	D0GB473JA057	M 47KOHM,J,1/16W	1	
R2137,38	ERJ3GEYJ221	M 220 OHM,J,1/16W	2	
R2143,44	D0GB103JA057	M 10KOHM,J,1/16W	2	
R2145,46	ERJ3EKF2002	M 20KOHM, 1/16W	2	
R2149	D0GB103JA057	M 10KOHM,J,1/16W	1	
R2150,51	ERJ3EKF2002	M 20KOHM, 1/16W	2	
R2152	ERJ3GEYJ220	M 22 OHM,J,1/16W	1	
R2154	ERJ3GEYJ220	M 22 OHM,J,1/16W	1	
R2156	ERJ3GEYJ331	M 330 OHM,J,1/16W	1	
R2160	ERJ3GEYJ221	M 220 OHM,J,1/16W	1	
R2162	ERJ3GEYJ221	M 220 OHM,J,1/16W	1	
R2164	ERJ3GEYJ221	M 220 OHM,J,1/16W	1	
R2165	D0GB103JA057	M 10KOHM,J,1/16W	1	
R2166	ERJ3EKF1602	M16.0KOHM, 1/16W	1	
R2167	ERJ3GEYJ221	M 220 OHM,J,1/16W	1	
R2168	ERJ3EKF1602	M16.0KOHM, 1/16W	1	
R2169	ERJ3EKF2202	M 22KOHM, 1/16W	1	
R2170-75	ERJ3GEYJ221	M 220 OHM,J,1/16W	6	
R2178	D0GB102JA057	M 1KOHM,J,1/16W	1	
R2179	D0GB103JA057	M 10KOHM,J,1/16W	1	
R2180	D0GB102JA057	M 1KOHM,J,1/16W	1	
R2181	ERJ3EKF2202	M 22KOHM, 1/16W	1	
R2182,83	ERJ3EKF3602	M 36KOHM, 1/16W	2	
R2184,85	ERJ6GEYJ101V	M 100 OHM,J,1/10W	2	

Ref. No.	Part No.	Part Name & Description	Pcs	Remarks
R2186	ERJ3GEYJ823	M 82KOHM,J,1/16W	1	
R2187	ERJ6GEY0R00V	M 0 OHM, 1/10W	1	
R2189	D0GB103JA057	M 10KOHM,J,1/16W	1	
R2192,93	ERJ3GEYJ104	M 100KOHM,J,1/16W	2	
R2194	D0GB102JA057	M 1KOHM,J,1/16W	1	
R2195,96	ERJ3GEYJ104	M 100KOHM,J,1/16W	2	
R2197	ERJ3EKF6802	M 68KOHM, 1/16W	1	
R2198	ERJ3EKF1583	M 158KOHM, 1/16W	1	
R2205	ERJ3GEYJ203	M 20KOHM,J,1/16W	1	
R2206	D0GB103JA057	M 10KOHM,J,1/16W	1	
R2208-10	D0GB103JA057	M 10KOHM,J,1/16W	3	
R2216	D0GB103JA057	M 10KOHM,J,1/16W	1	
R2217	D0GB473JA057	M 47KOHM,J,1/16W	1	
R2218	D0GB102JA057	M 1KOHM,J,1/16W	1	
R2220	D0GB123JA057	M 12KOHM,J,1/16W	1	
R2223-25	J0JCC0000100	CHIP INDUCTOR	3	
R2227-31	J0JCC0000100	CHIP INDUCTOR	5	
R2233	D0GB103JA057	M 10KOHM,J,1/16W	1	
R2234	ERJ3GEYJ221	M 220 OHM,J,1/16W	1	
R2235	D0GB473JA057	M 47KOHM,J,1/16W	1	
R2236,37	ERJ3GEYD153V	M 15KOHM,J,1/16W	2	
R2238	D0GB473JA057	M 47KOHM,J,1/16W	1	
R2253	ERJ3GEYJ301	M 300 OHM,J,1/16W	1	
R2254	D0GB105JA057	M 1MOHM,J,1/16W	1	
R2257	J0JCC0000100	CHIP INDUCTOR	1	
R2263	J0JCC0000100	CHIP INDUCTOR	1	
R2265	ERJ3GEYJ472	M 4.7KOHM,J,1/16W	1	
R2266	ERJ3GEYJ561	M 560 OHM,J,1/16W	1	
R2271	EXB28V220J	RESISTOR ARRAY	1	
R2276	D0GB103JA057	M 10KOHM,J,1/16W	1	
R2290,91	J0JCC0000100	CHIP INDUCTOR	2	
R2294-97	J0JCC0000100	CHIP INDUCTOR	4	
R2301,02	ERJ3GEYJ222	M 2.2KOHM,J,1/16W	2	
R2303,04	J0JCC0000100	CHIP INDUCTOR	2	
R2305	ERJ3GEYJ471	M 470 OHM,J,1/16W	1	
R2306	ERJ3GEYJ683	M 68KOHM,J,1/16W	1	
R2308	ERJ8GEYJ3R3V	M 3.3 OHM, J,1/8W	1	
R2311	ERJ8GEYJ3R3V	M 3.3 OHM, J,1/8W	1	
R2313	ERJ8GEYJ3R3V	M 3.3 OHM, J,1/8W	1	
R2315	ERJ8GEYJ3R3V	M 3.3 OHM, J,1/8W	1	
R2317	ERJ6GEYJ100V	M 10 OHM,J,1/10W	1	
R2319	ERJ6GEYJ100V	M 10 OHM,J,1/10W	1	
R2321	ERJ6GEYJ100V	M 10 OHM,J,1/10W	1	
R2323	ERJ6GEYJ100V	M 10 OHM,J,1/10W	1	
R2325	ERJ6GEYJ100V	M 10 OHM,J,1/10W	1	
R2330	D0GB102JA057	M 1KOHM,J,1/16W	1	
R2331	ERJ3GEYJ222	M 2.2KOHM,J,1/16W	1	
R2506,07	J0JHC0000096	CHIP INDUCTOR	2	
R2516	ERJ3GEYJ223	M 22KOHM,J,1/16W	1	
R2517	ERJ6GEYJ470V	M 47 OHM,J,1/10W	1	
R2520	ERJ3GEYJ224	M 220KOHM,J,1/16W	1	
R2524	ERJ3GEYJ223	M 22KOHM,J,1/16W	1	
R2525	ERJ3EKF5760	M 576 OHM, 1/16W	1	
R2530	ERJ3GEYJ223	M 22KOHM,J,1/16W	1	
R2531	ERJ3GEYJ271	M 270 OHM,J,1/16W	1	
R2542	D0GB473JA057	M 47KOHM,J,1/16W	1	
R2556,57	ERJ3GEYJ562	M 5.6KOHM,J,1/16W	2	
R2558	ERJ6GEY0R00V	M 0 OHM, 1/10W	1	
R2576,77	J0JCC0000241	CHIP INDUCTOR	2	
R2578,79	J0JCC0000100	CHIP INDUCTOR	2	

Ref. No.	Part No.	Part Name & Description	Pcs	Remarks
R2601-03	J0JCC0000100	CHIP INDUCTOR	3	
R2624,25	ERJ3GEYJ220	M 22 OHM,J,1/16W	2	
R2628,29	ERJ3GEYJ752	M 7.5KOHM,J,1/16W	2	
R2853	DOGB103JA057	M 10KOHM,J,1/16W	1	
R2854	ERJ3GEYJ222	M 2.2KOHM,J,1/16W	1	
R2855	DOGB473JA057	M 47KOHM,J,1/16W	1	
R2856	J0JCC0000100	CHIP INDUCTOR	1	
R2857	ERJ3GEYJ472	M 4.7KOHM,J,1/16W	1	
R2858	ERJ3GEYJ222	M 2.2KOHM,J,1/16W	1	
R2859	ERJ3GEYJ472	M 4.7KOHM,J,1/16W	1	
R2860	DOGB103JA057	M 10KOHM,J,1/16W	1	
R2861	DOGB102JA057	M 1KOHM,J,1/16W	1	
R2863,64	DOGB102JA057	M 1KOHM,J,1/16W	2	
R2865	DOGB103JA057	M 10KOHM,J,1/16W	1	
R2866	ERJ3GEYJ222	M 2.2KOHM,J,1/16W	1	
R2867	ERJ6ENF8202	M 82KOHM, 1/10W	1	
R2868	ERJ6ENF1602	M 16KOHM, 1/10W	1	
R2869	ERJ3GEYJ472	M 4.7KOHM,J,1/16W	1	
R2890	ERJ3GEYJ104	M 100KOHM,J,1/16W	1	
R3001-10	ERJ6RED750	M 75 OHM, 1/10W	10	
R3012	ERJ6RED750	M 75 OHM, 1/10W	1	
R3020-22	ERJ3GEYJ472	M 4.7KOHM,J,1/16W	3	
R3044,45	J0JCC0000100	CHIP INDUCTOR	2	
R3059	ERJ3GEYJ221	M 220 OHM,J,1/16W	1	
R3062-65	ERJ3GEYJ221	M 220 OHM,J,1/16W	4	
R3068	ERJ6RED750	M 75 OHM, 1/10W	1	
R3069	ERJ3GEYJ221	M 220 OHM,J,1/16W	1	
R3072-74	ERJ3GEYJ221	M 220 OHM,J,1/16W	3	
R3087	ERJ3GEYJ221	M 220 OHM,J,1/16W	1	
R3089	ERJ3GEYJ331	M 330 OHM,J,1/16W	1	
R3090	ERJ3GEYJ220	M 22 OHM,J,1/16W	1	
R3096-01	ERJ3GEYJ680	M 68 OHM,J,1/16W	6	
R3102	DOGB103JA057	M 10KOHM,J,1/16W	1	
R3103	J0JCC0000100	CHIP INDUCTOR	1	
R3104	DOGB103JA057	M 10KOHM,J,1/16W	1	
R3109-13	J0JCC0000100	CHIP INDUCTOR	5	
R3121	ERJ3GEYJ470	M 47 OHM,J,1/16W	1	
R3123	ERJ3GEYJ470	M 47 OHM,J,1/16W	1	
R3130,31	ERJ3GEYJ221	M 220 OHM,J,1/16W	2	
R3133	J0JCC0000100	CHIP INDUCTOR	1	
R3137	ERJ3EKF1000	M 100 OHM, 1/16W	1	
R3140	ERJ3GEYJ470	M 47 OHM,J,1/16W	1	
R3143	ERJ6ENF69R8	M 69.8OHM, 1/10W	1	
R3145	ERJ3GEYJ104	M 100KOHM,J,1/16W	1	
R3168	ERJ3GEYJ221	M 220 OHM,J,1/16W	1	
R3174-76	ERJ3GEYJ680	M 68 OHM,J,1/16W	3	
R3177	DOGB103JA057	M 10KOHM,J,1/16W	1	
R3180	ERJ3GEYJ101	M 100 OHM,J,1/16W	1	
R3188	J0JCC0000100	CHIP INDUCTOR	1	
R3191	ERJ3GEYJ220	M 22 OHM,J,1/16W	1	
R3202	J0JCC0000100	CHIP INDUCTOR	1	
R3205	J0JCC0000100	CHIP INDUCTOR	1	
R3206	ERJ3GEYJ101	M 100 OHM,J,1/16W	1	
R3216	J0JCC0000100	CHIP INDUCTOR	1	
R3222	J0JCC0000100	CHIP INDUCTOR	1	
R3227-29	J0JCC0000100	CHIP INDUCTOR	3	
R3233,34	ERJ6RED750	M 75 OHM, 1/10W	2	

Ref. No.	Part No.	Part Name & Description	Pcs	Remarks
R3236-38	J0JCC0000100	CHIP INDUCTOR	3	
R3239	ERJ3GEYJ221	M 220 OHM,J,1/16W	1	
R3240	ERJ3EKF5600	M 560 OHM, 1/16W	1	
R3243	ERJ6GEYG271	M 270 OHM,J,1/10W	1	
R3244	J0JCC0000241	CHIP INDUCTOR	1	
R3246	J0JCC0000241	CHIP INDUCTOR	1	
R3247	ERJ3GEYJ221	M 220 OHM,J,1/16W	1	
R3253,54	J0JCC0000100	CHIP INDUCTOR	2	
R3268	DOGB473JA057	M 47KOHM,J,1/16W	1	
R3302	ERJ6GEYJ101V	M 100 OHM,J,1/10W	1	
R3305	ERJ6GEYJ101V	M 100 OHM,J,1/10W	1	
R3306,07	ERJ6GEYF472	M 4.7KOHM,J,1/10W	2	
R3308,09	ERJ6GEY0R00V	M 0 OHM, 1/10W	2	
R3310	ERJ6RED750	M 75 OHM, 1/10W	1	
R3313	ERJ6RED750	M 75 OHM, 1/10W	1	
R3318	ERJ6RED750	M 75 OHM, 1/10W	1	
R3348,49	ERJ3GEYJ680	M 68 OHM,J,1/16W	2	
R3350	J0JCC0000100	CHIP INDUCTOR	1	
R3709-11	J0JCC0000100	CHIP INDUCTOR	3	
R3714	J0JCC0000100	CHIP INDUCTOR	1	
R3716,17	ERJ6GEYJ184	M 180KOHM,J,1/10W	2	
R3721	ERJ6GEYG103	M 10KOHM,J,1/10W	1	
R3722-25	J0JCC0000100	CHIP INDUCTOR	4	
R3732	J0JCC0000100	CHIP INDUCTOR	1	
R3746	ERJ6GEY0R00V	M 0 OHM, 1/10W	1	
R3748	ERJ6GEY0R00V	M 0 OHM, 1/10W	1	
R3750	ERJ6GEY0R00V	M 0 OHM, 1/10W	1	
R3751	ERJ6ENF1432	M14.3KOHM, 1/10W	1	
R3753	ERJ6ENF1741	M1.74KOHM, 1/10W	1	
R3754	ERJ6ENF1621	M1.62KOHM, 1/10W	1	
R3755	ERJ6GEY0R00V	M 0 OHM, 1/10W	1	
R3758	ERJ6ENF6651	M6.65KOHM, 1/10W	1	
R3765	ERJ6ENF2321	M2.32KOHM, 1/10W	1	
R3767	ERJ6ENF3161	M3.16KOHM, 1/10W	1	
R3768	ERJ6GEY0R00V	M 0 OHM, 1/10W	1	
R4001	ERJ2GEJ103	M 10KOHM, J,0.063W	1	
R4026	J0JCC0000100	CHIP INDUCTOR	1	
R4200-02	ERJ2RKD330	M 33 OHM, J,0.063W	3	
R4242	J0JCC0000100	CHIP INDUCTOR	1	
R4284	ERJ2GEJ103	M 10KOHM, J,0.063W	1	
R4286-88	ERJ2GEJ473	M 47KOHM, J,0.063W	3	
R4317-20	ERJ2GEJ473	M 47KOHM, J,0.063W	4	
R4322-30	ERJ2GEJ473	M 47KOHM, J,0.063W	9	
R4500,01	ERJ2GEJ103	M 10KOHM, J,0.063W	2	
R4502,03	ERJ2RKD330	M 33 OHM, J,0.063W	2	
R4506,07	ERJ2GEJ103	M 10KOHM, J,0.063W	2	
R4508-23	ERJ2GEJ2R2X	M 2.2OHM, J,0.063W	16	
R4524,25	ERJ2GEJ103	M 10KOHM, J,0.063W	2	
R4526,27	ERJ2GEJ102X	M 1KOHM, J,0.063W	2	
R4528	ERJ2GEJ103	M 10KOHM, J,0.063W	1	
R4529	ERJ2GEJ472	M 4.7KOHM, J,0.063W	1	
R4530	ERJ2GEJ103	M 10KOHM, J,0.063W	1	
R4531	ERJ2GEJ472	M 4.7KOHM, J,0.063W	1	
R4532,33	ERJ2GEJ103	M 10KOHM, J,0.063W	2	

Ref. No.	Part No.	Part Name & Description	Pcs	Remarks
R4535,36	ERJ2GEJ472	M 4.7KOHM, J,0.063W	2	
R4538	ERJ2GEJ473	M 47KOHM, J,0.063W	1	
R4539	ERJ2GEJ680	M 68 OHM, J,0.063W	1	
R4540	ERJ2GEJ473	M 47KOHM, J,0.063W	1	
R4541-43	ERJ2GEJ680	M 68 OHM, J,0.063W	3	
R4544-47	ERJ2GEJ103	M 10KOHM, J,0.063W	4	
R4552	ERJ2GEJ220	M 22 OHM, J,0.063W	1	
R4561	ERJ2GEJ473	M 47KOHM, J,0.063W	1	
R4562,63	ERJ2GEJ472	M 4.7KOHM, J,0.063W	2	
R4564,65	ERJ2GEJ220	M 22 OHM, J,0.063W	2	
R4578,79	ERJ2GEJ151	M 150 OHM, J,0.063W	2	
R4585	ERJ2GEJ101	M 100 OHM, J,0.063W	1	
R4587	ERJ3GEYF821	M 820 OHM, 1/16W	1	
R4593	ERJ3EKF1001	M 1KOHM, 1/16W	1	
R4596-98	ERJ6GEYG102	M 1KOHM,J,1/10W	3	
R4601	ERJ6GEYG102	M 1KOHM,J,1/10W	1	
R4604	ERJ3EKF7501	M 7.5KOHM, 1/16W	1	
R4606	ERJ3EKF4701	M 4.7KOHM, 1/16W	1	
R4611	ERJ3EKF1371	M 1.37KOHM, 1/16W	1	
R4612	ERJ3EKF1501	M 1.5KOHM, 1/16W	1	
R4613,14	ERJ2GEJ220	M 22 OHM, J,0.063W	2	
R4615	ERJ3EKF1600	M 160 OHM, 1/16W	1	
R4616-19	D0YAR0000007	M 0.0 OHM, J,0.063W	4	
R4622	ERJ2GEJ101	M 100 OHM, J,0.063W	1	
R4624	ERJ3EKF1691	M 1.69KOHM, 1/16W	1	
R4626	ERJ2GEJ105	M 1MOHM, J,0.063W	1	
R4627	D0YAR0000007	M 0.0 OHM, J,0.063W	1	
R4628,29	ERJ2GEJ101	M 100 OHM, J,0.063W	2	
R4631	ERJ3EKF4990	M 499 OHM, 1/16W	1	
R4635	EXB28V680JX	RESISTOR ARRAY	1	
R4636-38	ERJ2GEJ680	M 68 OHM, J,0.063W	3	
R4639,40	EXB28V680JX	RESISTOR ARRAY	2	
R4641	ERJ2GEJ220	M 22 OHM, J,0.063W	1	
R4642	EXB28V680JX	RESISTOR ARRAY	1	
R4643,44	ERJ2GEJ220	M 22 OHM, J,0.063W	2	
R4645-47	ERJ2GEJ680	M 68 OHM, J,0.063W	3	
R4648	EXB28V330J	RESISTOR ARRAY	1	
R4649	EXB28V680JX	RESISTOR ARRAY	1	
R4650,51	ERJ2GEJ680	M 68 OHM, J,0.063W	2	
R4652	ERJ2GEJ473	M 47KOHM, J,0.063W	1	
R4653	ERJ2GEJ103	M 10KOHM, J,0.063W	1	
R4654	ERJ3EKF4701	M 4.7KOHM, 1/16W	1	
R4655	ERJ2GEJ101	M 100 OHM, J,0.063W	1	
R4656	ERJ2GEJ222	M 2.2KOHM, J,0.063W	1	
R4657,58	ERJ2GEJ220	M 22 OHM, J,0.063W	2	
R4659	D0YAR0000007	M 0.0 OHM, J,0.063W	1	
R4661	ERJ2GEJ101	M 100 OHM, J,0.063W	1	

Ref. No.	Part No.	Part Name & Description	Pcs	Remarks
R4665,66	ERJ2GEJ473	M 47KOHM, J,0.063W	2	
R4667	ERJ2GEJ151	M 150 OHM, J,0.063W	1	
R4670	ERJ2GEJ680	M 68 OHM, J,0.063W	1	
R4672	D0YAR0000007	M 0.0 OHM, J,0.063W	1	
R4682	ERJ3EKF1002	M 10KOHM, 1/16W	1	
R4683	ERJ2GEJ103	M 10KOHM, J,0.063W	1	
R4691,92	ERJ2GEJ220	M 22 OHM, J,0.063W	2	
R4698,99	D0YAR0000007	M 0.0 OHM, J,0.063W	2	
R4702,03	D0YAR0000007	M 0.0 OHM, J,0.063W	2	
R4706	ERJ2GEJ102X	M 1KOHM, J,0.063W	1	
R4707	ERJ2GEJ103	M 10KOHM, J,0.063W	1	
R4708	ERJ2GEJ102X	M 1KOHM, J,0.063W	1	
R4800	J0JCC0000100	CHIP INDUCTOR	1	
R4819,20	ERJ2GEJ220	M 22 OHM, J,0.063W	2	
R4838	ERJ2GEJ101	M 100 OHM, J,0.063W	1	
R4856-65	D0YAR0000007	M 0.0 OHM, J,0.063W	10	
R4872	D0YAR0000007	M 0.0 OHM, J,0.063W	1	
R5483	ERJ6GEY0R00V	M 0 OHM, 1/10W	1	
R5506,07	ERJ6GEYG103	M 10KOHM,J,1/10W	2	
R5508	ERJ6GEYF473	M 47KOHM,J,1/10W	1	
R5509	ERJ6GEY0R00V	M 0 OHM, 1/10W	1	
R5531	ERJ6GEYG222	M 2.2KOHM,J,1/10W	1	
R5532	ERJ6GEYF472	M 4.7KOHM,J,1/10W	1	
R5533	ERJ6GEYG103	M 10KOHM,J,1/10W	1	
R5534	ERJ6GEYF473	M 47KOHM,J,1/10W	1	
R5535	ERJ6GEYG222	M 2.2KOHM,J,1/10W	1	
R5536	ERJ6GEYF472	M 4.7KOHM,J,1/10W	1	
R5537	ERJ6GEYG681	M 680 OHM,J,1/10W	1	
R5538	ERJ6GEYG222	M 2.2KOHM,J,1/10W	1	
R5540	ERJ6GEYJ471	M 470 OHM,J,1/10W	1	
R5542	ERJ6GEYJ471	M 470 OHM,J,1/10W	1	
R5544	ERJ6GEYG221	M 220 OHM,J,1/10W	1	
R5546,47	ERJ6GEYG103	M 10KOHM,J,1/10W	2	
R5548,49	ERJ6GEYF472	M 4.7KOHM,J,1/10W	2	
R5554	ERJ6ENF2611	M 2.61KOHM, 1/10W	1	
R5555	ERJ6ENF1271	M 1.27KOHM, 1/10W	1	
R5570	ERJ6GEYG103	M 10KOHM,J,1/10W	1	
R5571	ERJ6GEYF473	M 47KOHM,J,1/10W	1	
R5572	ERJ6GEYG222	M 2.2KOHM,J,1/10W	1	
R5573	ERJ6GEYF472	M 4.7KOHM,J,1/10W	1	
R5600	ERJ2GEJ680	M 68 OHM, J,0.063W	1	
R5604	ERJ3GEYF473	M 47KOHM, 1/16W	1	
R5605	ERJ3EKF1272	M 12.7KOHM, 1/16W	1	
R5606-09	D0YAR0000007	M 0.0 OHM, J,0.063W	4	
R5610	ERJ2GEJ104	M 100KOHM, J,0.063W	1	
R5611	ERJ3EKF3602	M 36KOHM, 1/16W	1	
R5612	ERJ3EKF2322	M 23.2KOHM, 1/16W	1	
R5620	ERJ2GEJ680	M 68 OHM, J,0.063W	1	

Ref. No.	Part No.	Part Name & Description	Pcs	Remarks
R5621	ERJ3GEYF473	M 47KOHM, 1/16W	1	
R5622	ERJ2GEJ104	M 100KOHM, J, 0.063W	1	
R5623	ERJ3GEYF473	M 47KOHM, 1/16W	1	
R5625-28	DOYAR0000007	M 0.0 OHM, J, 0.063W	4	
R5629	ERJ3EKF3012	M30.1KOHM, 1/16W	1	
R5630	ERJ3EKF4752	M47.5KOHM, 1/16W	1	
R5631	ERJ3EKF3602	M 36KOHM, 1/16W	1	
R5632	ERJ3EKF3002	M 30KOHM, 1/16W	1	
R5633, 34	ERJ3EKF1602	M16.0KOHM, 1/16W	2	
R5635	ERJ2GEJ223	M 22KOHM, J, 0.063W	1	
R5636	ERJ2GEJ683	M 68KOHM, J, 0.063W	1	
R5637	DOYAR0000007	M 0.0 OHM, J, 0.063W	1	
R5638	ERJ2GEJ103	M 10KOHM, J, 0.063W	1	
R5641	ERJ2GEJ473	M 47KOHM, J, 0.063W	1	
R5644	ERJ2GEJ222	M 2.2KOHM, J, 0.063W	1	
R5646	ERJ2GEJ103	M 10KOHM, J, 0.063W	1	
R5647	ERJ2GEJ473	M 47KOHM, J, 0.063W	1	
R5660	ERJ2GEJ562	M 5.6KOHM, J, 0.063W	1	
R5661	ERJ2GEJ473	M 47KOHM, J, 0.063W	1	
R5662	ERJ2GEJ103	M 10KOHM, J, 0.063W	1	
R5670	DOYAR0000007	M 0.0 OHM, J, 0.063W	1	
R5671	ERJ2GEJ183	M 18KOHM, J, 0.063W	1	
R5672	DOYAR0000007	M 0.0 OHM, J, 0.063W	1	
R5674	ERJ2GEJ473	M 47KOHM, J, 0.063W	1	
R5690, 91	DOGB103JA057	M 10KOHM, J, 1/16W	2	
R5692, 93	DOGB473JA057	M 47KOHM, J, 1/16W	2	
R5694, 95	DOGB102JA057	M 10KOHM, J, 1/16W	2	
R5696, 97	DOGB103JA057	M 10KOHM, J, 1/16W	2	
R5730, 31	ERJ2GEJ473	M 47KOHM, J, 0.063W	2	
R6001	D0GF7R5JA047	M 7.5 OHM, J, 0.33W	1	
R6003	D0GF7R5JA047	M 7.5 OHM, J, 0.33W	1	
R6005	D0GF7R5JA047	M 7.5 OHM, J, 0.33W	1	
R6020	ERF5TJ330	W 33 OHM, 5W	1	
R6021	D0GF7R5JA047	M 7.5 OHM, J, 0.33W	1	
R6024	D0GF7R5JA047	M 7.5 OHM, J, 0.33W	1	
R6026	D0GF7R5JA047	M 7.5 OHM, J, 0.33W	1	
R6031, 32	ERJ6ENF8202	M 82KOHM, 1/10W	2	
R6033	ERJ6ENF5602	M 56KOHM, 1/10W	1	
R6034	ERJ6ENF2702	M 27KOHM, 1/10W	1	
R6041	D0GF5R6JA047	M 5.6 OHM, J, 0.33W	1	
R6043	D0GF5R6JA047	M 5.6 OHM, J, 0.33W	1	
R6053	D0GF5R6JA047	M 5.6 OHM, J, 0.33W	1	
R6062	ERJ6GEY0R00V	M 0 OHM, 1/10W	1	
R6064	ERJ6GEY0R00V	M 0 OHM, 1/10W	1	
R6066	ERJ6GEY0R00V	M 0 OHM, 1/10W	1	
R6068	ERJ6GEY0R00V	M 0 OHM, 1/10W	1	
R6070-73	ERJ6GEY0R00V	M 0 OHM, 1/10W	4	
R6102	D0GD221JA059	M 220 OHM, J, 1/10W	1	
R6108	D0GD221JA059	M 220 OHM, J, 1/10W	1	
R6109	D0GD100JA059	M 10 OHM, J, 0.25W	1	

Ref. No.	Part No.	Part Name & Description	Pcs	Remarks
R6110	ERJ6GEYF473	M 47KOHM, J, 1/10W	1	
R6111	D0GD470JA059	M 47 OHM, J, 0.25W	1	
R6113	ERJ14YJ224	M 220KOHM, J, 1/4W	1	
R6114	D0GD470JA059	M 47 OHM, J, 0.25W	1	
R6116	ERJ6GEYF473	M 47KOHM, J, 1/10W	1	
R6131, 32	ERJ6GEYJ101V	M 100 OHM, J, 1/10W	2	
R6134	D0GD750JA059	M 75 OHM, J, 0.25W	1	
R6135, 36	D0GD100JA059	M 10 OHM, J, 0.25W	2	
R6141, 42	ERJ6GEYF473	M 47KOHM, J, 1/10W	2	
R6145	D0GF1R0JA047	M 1.0 OHM, J, 0.33W	1	
R6146, 47	ERJ6GEYF473	M 47KOHM, J, 1/10W	2	
R6151, 52	ERJ6GEYJ101V	M 100 OHM, J, 1/10W	2	
R6154	D0GD750JA059	M 75 OHM, J, 0.25W	1	
R6157-60	D0GF1R0JA047	M 1.0 OHM, J, 0.33W	4	
R6171	D0GD100JA059	M 10 OHM, J, 0.25W	1	
R6172, 73	ERJ6GEYF473	M 47KOHM, J, 1/10W	2	
R6181	D0GD100JA059	M 10 OHM, J, 0.25W	1	
R6182, 83	ERJ6GEYF473	M 47KOHM, J, 1/10W	2	
R6191, 92	ERJ6GEYJ101V	M 100 OHM, J, 1/10W	2	
R6193	D0GD750JA059	M 75 OHM, J, 0.25W	1	
R6194	D0GF1R0JA047	M 1.0 OHM, J, 0.33W	1	
R6210	ERJ6GEYG222	M 2.2KOHM, J, 1/10W	1	
R6213	ERJ6GEYJ101V	M 100 OHM, J, 1/10W	1	
R6214	D0GD151JA059	M 150 OHM, J, 0.25W	1	
R6220	ERJ6GEYG470V	M 47 OHM, J, 1/10W	1	
R6221	ERJ6GEYF472	M 4.7KOHM, J, 1/10W	1	
R6222	ERG1FJS103D	M 10KOHM, J, 1W	1	
R6223	ERG2FJS123D	M 12KOHM, J, 2W	1	
R6225	D0GD203JA059	M 20KOHM, J, 1/10W	1	
R6226, 27	ERJ6GEYJ163V	M 16KOHM, J, 1/10W	2	
R6228	ERJ6GEYG562	M 5.6KOHM, J, 1/10W	1	
R6229	ERJ6GEYJ163V	M 16KOHM, J, 1/10W	1	
R6230	ERJ6GEYG470V	M 47 OHM, J, 1/10W	1	
R6231	ERJ6GEYF472	M 4.7KOHM, J, 1/10W	1	
R6232	ERJ6ENF1201	M 1.2KOHM, 1/10W	1	
R6241	EXB38V470J	RESISTOR ARRAY	1	
R6242	EXB38V472JV	RESISTOR ARRAY	1	
R6246	ERJ6GEYJ273	M 27KOHM, J, 1/10W	1	
R6247	D0GF154JA047	M 150 KOHM, J, 0.33W	1	
R6248	ERJ6GEYJ273	M 27KOHM, J, 1/10W	1	
R6249	D0GF154JA047	M 150 KOHM, J, 0.33W	1	
R6252, 53	ERJ6ENF3902	M 39KOHM, 1/10W	2	
R6254	ERJ6ENF8201	M 8.2KOHM, 1/10W	1	
R6255	ERJ6ENF1201	M 1.2KOHM, 1/10W	1	
R6256	ERJ6ENF1501	M 1.5KOHM, 1/10W	1	
R6257	ERJ6GEYG103	M 10KOHM, J, 1/10W	1	
R6258	ERJ6GEYG222	M 2.2KOHM, J, 1/10W	1	
R6261	ERJ6GEYG104	M 100KOHM, J, 1/10W	1	
R6269	ERJ6GEYJ273	M 27KOHM, J, 1/10W	1	
R6270	D0GF154JA047	M 150 KOHM, J, 0.33W	1	
R6272	ERJ6GEYG222	M 2.2KOHM, J, 1/10W	1	
R6273	ERJ6GEYG103	M 10KOHM, J, 1/10W	1	
R6274	ERJ6GEYG221	M 220 OHM, J, 1/10W	1	
R6276	ERJ6GEYG823	M 82KOHM, J, 1/10W	1	
R6278	ERJ6GEYJ273	M 27KOHM, J, 1/10W	1	
R6279	D0GF154JA047	M 150 KOHM, J, 0.33W	1	

Ref. No.	Part No.	Part Name & Description	Pcs	Remarks
R6284	ERJ6GEYG102	M 1KOHM,J,1/10W	1	
R6292	ERJ6GEYF473	M 47KOHM,J,1/10W	1	
R6401-03	D0GF7R5JA047	M 7.5 OHM,J,0.33W	3	
R6421-23	D0GF5R6JA047	M 5.6 OHM,J,0.33W	3	
R6441,42	D0GF5R6JA047	M 5.6 OHM,J,0.33W	2	
R6451	D0GF5R6JA047	M 5.6 OHM,J,0.33W	1	
R6465	ERJ6ENF2702	M 27KOHM, 1/10W	1	
R6466	ERJ6ENF5602	M 56KOHM, 1/10W	1	
R6467,68	ERJ6ENF8202	M 82KOHM, 1/10W	2	
R6471	ERJ6GEYG392	M 3.9KOHM,J,1/10W	1	
R6472	ERJ6GEYG222	M 2.2KOHM,J,1/10W	1	
R6473	ERJ6GEYF561	M 560 OHM,J,1/10W	1	
R6474	ERJ6GEYG102	M 1KOHM,J,1/10W	1	
R6475,76	ERJ6GEYF472	M 4.7KOHM,J,1/10W	2	
R6477	ERJ6GEYJ101V	M 100 OHM,J,1/10W	1	
R6501,02	ERJ6GEYJ101V	M 100 OHM,J,1/10W	2	
R6503	D0GD100JA059	M 10 OHM,J,0.25W	1	
R6504	D0GD750JA059	M 75 OHM,J,0.25W	1	
R6506	D0GD100JA059	M 10 OHM,J,0.25W	1	
R6507-10	D0GF1R0JA047	M 1.0 OHM,J,0.33W	4	
R6511,12	ERJ6GEYF473	M 47KOHM,J,1/10W	2	
R6516,17	ERJ6GEYF473	M 47KOHM,J,1/10W	2	
R6521,22	ERJ6GEYJ101V	M 100 OHM,J,1/10W	2	
R6523	D0GD750JA059	M 75 OHM,J,0.25W	1	
R6531	D0GD100JA059	M 10 OHM,J,0.25W	1	
R6532,33	ERJ6GEYF473	M 47KOHM,J,1/10W	2	
R6551	D0GD100JA059	M 10 OHM,J,0.25W	1	
R6552,53	ERJ6GEYF473	M 47KOHM,J,1/10W	2	
R6561-64	EXB38V470J	RESISTOR ARRAY	4	
R6565-68	EXB38V472JV	RESISTOR ARRAY	4	
R6580	ERJ6GEYG222	M 2.2KOHM,J,1/10W	1	
R6582,83	ERJ6ENF3902	M 39KOHM, 1/10W	2	
R6584	ERJ6ENF8201	M 8.2KOHM, 1/10W	1	
R6585	ERJ6ENF1801	M 1.8KOHM, 1/10W	1	
R6586	ERJ6ENF1201	M 1.2KOHM, 1/10W	1	
R6587	ERJ6GEYG222	M 2.2KOHM,J,1/10W	1	
R6588	ERJ6GEYG103	M 10KOHM,J,1/10W	1	
R6590	ERJ6GEYG221	M 220 OHM,J,1/10W	1	
R6591	EXB38V472JV	RESISTOR ARRAY	1	
R6592	ERJ6GEYF472	M 4.7KOHM,J,1/10W	1	
R6605	ERJ6GEYG182	M 1.8KOHM,J,1/10W	1	
R6607	D1BD6811A027	M 6.81KOHM, 1/10W	1	
R6608,09	D0GF102JA047	M 1.0 KOHM,J,0.33W	2	
R6610	ERJ6GEYG104	M 100KOHM,J,1/10W	1	
R6612	D0GD470JA059	M 47 OHM,J,0.25W	1	
R6621,22	ERJ6GEYG221	M 220 OHM,J,1/10W	2	
R6623	ERG2FJS333D	M 33KOHM, J, 2W	1	
R6638,39	D0GF1R0JA047	M 1.0 OHM,J,0.33W	2	
R6642-44	D0GD330JA059	M 33 OHM,J,1/10W	3	
R6646-48	D0GD330JA059	M 33 OHM,J,1/10W	3	
R6658	D0D1101JA009	M 100 OHM,J,1W	1	
R6659,60	ERJ6GEYJ224	M 220KOHM,J,1/10W	2	
R6661	ERJ6GEYG104	M 100KOHM,J,1/10W	1	
R6662	ERJ6ENF2201	M 2.2KOHM, 1/10W	1	

Ref. No.	Part No.	Part Name & Description	Pcs	Remarks
R6663	ERJ6GEYG103	M 10KOHM,J,1/10W	1	
R6664	D0GF222JA047	M 2.2 KOHM,J,0.33W	1	
R6665	D0GD470JA059	M 47 OHM,J,0.25W	1	
R6666	ERJ6GEYG104	M 100KOHM,J,1/10W	1	
R6667,68	ERJ6GEYF472	M 4.7KOHM,J,1/10W	2	
R6671	D0GD470JA059	M 47 OHM,J,0.25W	1	
R6672	ERJ6GEYF473	M 47KOHM,J,1/10W	1	
R6673,74	D0GD470JA059	M 47 OHM,J,0.25W	2	
R6680,81	D0GD100JA059	M 10 OHM,J,0.25W	2	
R6692	D0GZ472JA020	M 4.7KOHM,J,0.5W	1	
R6693	ERJ6GEYG823	M 82KOHM,J,1/10W	1	
R6694	ERJ6GEYJ273	M 27KOHM,J,1/10W	1	
R6695	ERJ8GEYJ124	M 120KOHM, J,1/8W	1	
R6696	ERF5TK2R2	W 2.2 OHM, K, 5W	1	
R6700-04	ERJ6GEYJ471	M 470 OHM,J,1/10W	5	
R6705,06	ERJ6GEYJ101V	M 100 OHM,J,1/10W	2	
R6707,08	ERJ6GEYJ471	M 470 OHM,J,1/10W	2	
R6709	ERJ6GEYJ101V	M 100 OHM,J,1/10W	1	
R6710-14	ERJ6GEYG222	M 2.2KOHM,J,1/10W	5	
R6717,18	ERJ6GEYG222	M 2.2KOHM,J,1/10W	2	
R6721,22	EXB38V220JV	RESISTOR ARRAY	2	
R6723	ERJ6GEYG182	M 1.8KOHM,J,1/10W	1	
R6724	ERJ6GEYJ101V	M 100 OHM,J,1/10W	1	
R6742	ERJ6GEYG103	M 10KOHM,J,1/10W	1	
R6745	ERJ6GEYF472	M 4.7KOHM,J,1/10W	1	
R6746,47	D0GD103JA059	M 10KOHM,J,0.25W	2	
R6748	ERJ6GEYG332	M 3.3KOHM,J,1/10W	1	
R6761	D0GD100JA059	M 10 OHM,J,0.25W	1	
R6762	ERJ6GEYF473	M 47KOHM,J,1/10W	1	
R6765	D0GF1R0JA047	M 1.0 OHM,J,0.33W	1	
R6766	D0GD750JA059	M 75 OHM,J,0.25W	1	
R6768	D0GF1R0JA047	M 1.0 OHM,J,0.33W	1	
R6769	D0GD750JA059	M 75 OHM,J,0.25W	1	
R6775,76	ERJ6GEYJ101V	M 100 OHM,J,1/10W	2	
R6777	D0GD151JA059	M 150 OHM,J,0.25W	1	
R6781	D0GD470JA059	M 47 OHM,J,0.25W	1	
R6782	ERJ6GEYF473	M 47KOHM,J,1/10W	1	
R6788	ERJ6GEYJ474	M 470KOHM,J,1/10W	1	
R6789	ERJ6GEYF473	M 47KOHM,J,1/10W	1	
R6791	ERJ6GEYG102	M 1KOHM,J,1/10W	1	
R6792	ERJ6GEYG103	M 10KOHM,J,1/10W	1	
R6793	ERJ6GEYJ101V	M 100 OHM,J,1/10W	1	
R6795,96	ERJ6GEYG104	M 100KOHM,J,1/10W	2	
R6797	ERJ6ENF1692	M16.9KOHM, 1/10W	1	
R6801	ERG2FNJS8R2E	M 8.2 OHM, J, 2W	1	
R6802	ERJ6GEYG103	M 10KOHM,J,1/10W	1	
R6806,07	ERX12SJ1R5	M 1.5 OHM, J,1/2W	2	
R6808	D0GF272JA047	M 2.7 KOHM,J,0.33W	1	
R6809	ERGLSJ273	M 27KOHM, J, 1W	1	
R6810	ERJ6GEYG102	M 1KOHM,J,1/10W	1	
R6811	ERJ6GEYG103	M 10KOHM,J,1/10W	1	
R6812	ERJ6ENF2403	M 240KOHM, 1/10W	1	
R6813	ERJ6ENF1002	M 10KOHM, 1/10W	1	
R6814	ERJ6ENF5601	M 5.6KOHM, 1/10W	1	

Ref. No.	Part No.	Part Name & Description	Pcs	Remarks
R6815	ERJ6ENF2700	M 270 OHM, 1/10W	1	
R6816	D1BD1152A028	M11.5KOHM, 1/10W	1	
R6817	ERJ6ENF2491	M2.49KOHM, 1/10W	1	
R6818	ERJ6GEYJ474	M 470KOHM,J,1/10W	1	
R6821	ERF5TJ221	W 220 OHM, J, 5W	1	
R6822	ERJ12YJ104U	M 100KOHM, 1/2W	1	
R6823	ERG1FJS104D	M 100KOHM, J, 1W	1	
R6824	ERJ6GEYG392	M 3.9KOHM,J,1/10W	1	
R6825-27	ERJ6ENF2003	M 200KOHM, 1/10W	3	
R6828	ERJ6ENF4701	M 4.7KOHM, 1/10W	1	
R6829,30	ERJ6GEYG104	M 100KOHM,J,1/10W	2	
R6831	ERJ6GEYG153	M 15KOHM,J,1/10W	1	
R6832	DOG4R7JA047	M 4.7 OHM,J, 0.33W	1	
R6833-36	ERJ6ENF7502	M 75KOHM, 1/10W	4	
R6837	ERJ6ENF5602	M 56KOHM, 1/10W	1	
R6839	ERJ6GEYF472	M 4.7KOHM,J,1/10W	1	
R6840	ERX12SJR1R5	M 1.5 OHM, J,1/2W	1	
R6841	ERJ12YJ153U	M 15KOHM, 1/2W	1	
R6842	ERJ12YJ433U	M 43KOHM, 1/2W	1	
R6843	ERJ6GEYJ623	M 62KOHM,J,1/10W	1	
R6844	DOD2101JA021	M 100 OHM,J,2W	1	
R6845-47	ERJ6GEYJ623	M 62KOHM,J,1/10W	3	
R6848	ERJ6GEYG103	M 10KOHM,J,1/10W	1	
R6849,50	ERJ6ENF6802	M 68KOHM, 1/10W	2	
R6851	ERJ6ENF1802	M 18KOHM, 1/10W	1	
R6852	ERJ6ENF2701	M 2.7KOHM, 1/10W	1	
R6853	ERJ6GEYJ101V	M 100 OHM,J,1/10W	1	
R6855	ERJ12YJ103	M 10KOHM,J, 1/2W	1	
R6856	ERQ12AJW560E	F 56 OHM, J,1/2W	1	
R6857	ERJ12YJ124U	M 120KOHM, 1/2W	1	
R6860	DOD28R2JA021	M 8.2 OHM,J,2W	1	
R6861,62	ERJ6ENF5102	M 51KOHM, 1/10W	2	
R6863	ERJ6ENF5602	M 56KOHM, 1/10W	1	
R6864	ERJ6ENF6801	M 6.8KOHM, 1/10W	1	
R6865	ERJ6ENF3301	M 3.3KOHM, 1/10W	1	
R6866	ERJ6ENF6200	M 620 OHM, 1/10W	1	
R6867	ERJ6GEYG392	M 3.9KOHM,J,1/10W	1	
R6868	ERJ6GEYJ223	M 22KOHM,J,1/10W	1	
R6869	ERJ6GEYF472	M 4.7KOHM,J,1/10W	1	
R6871-73	ERJ6ENF3902	M 39KOHM, 1/10W	3	
R6874	ERJ6ENF6801	M 6.8KOHM, 1/10W	1	
R6875	ERJ6ENF3301	M 3.3KOHM, 1/10W	1	
R6876	ERJ6RBD561	M 560 OHM, 1/10W	1	
R6877	ERJ6GEYG392	M 3.9KOHM,J,1/10W	1	
R6878	ERJ6GEYJ223	M 22KOHM,J,1/10W	1	
R6879	ERJ6GEYF472	M 4.7KOHM,J,1/10W	1	
R6886-88	ERJ6GEYJ224	M 220KOHM,J,1/10W	3	
R6891	ERJ6GEYG183	M 18KOHM,J,1/10W	1	
R6901	ERJ6GEYJ101V	M 100 OHM,J,1/10W	1	
R6902-04	ERJ3GEYJ220	M 22 OHM,J,1/16W	3	
R6905	ERJ6GEYG221	M 220 OHM,J,1/10W	1	
R6909	ERJ6GEYG221	M 220 OHM,J,1/10W	1	
R6913	ERJ6GEYG221	M 220 OHM,J,1/10W	1	
R6917	ERJ6GEYG221	M 220 OHM,J,1/10W	1	
R6924	ERJ6GEYG221	M 220 OHM,J,1/10W	1	
R6925,26	J0JCC0000100	CHIP INDUCTOR	2	
R6931-34	ERJ6GEYG103	M 10KOHM,J,1/10W	4	
R6935,36	ERJ8GEYJ224	M 220KOHM, J,1/8W	2	

Ref. No.	Part No.	Part Name & Description	Pcs	Remarks
R6938	ERJ6GEYG103	M 10KOHM,J,1/10W	1	
R6951	ERJ6GEYJ101V	M 100 OHM,J,1/10W	1	
R6952-54	ERJ3GEYJ220	M 22 OHM,J,1/16W	3	
R6955	ERJ6GEYG221	M 220 OHM,J,1/10W	1	
R6959	ERJ6GEYG221	M 220 OHM,J,1/10W	1	
R6963	ERJ6GEYG221	M 220 OHM,J,1/10W	1	
R6967	ERJ6GEYG221	M 220 OHM,J,1/10W	1	
R6971	ERJ6GEYG221	M 220 OHM,J,1/10W	1	
R6975,76	J0JCC0000100	CHIP INDUCTOR	2	
R6981-84	ERJ6GEYG103	M 10KOHM,J,1/10W	4	
R6985,86	ERJ8GEYJ224	M 220KOHM, J,1/8W	2	
R6989	ERJ6GEYG103	M 10KOHM,J,1/10W	1	
R7112	DOG4R7JA047	M 4.7KOHM,J, 0.33W	1	
R7119	EXB38V220JV	RESISTOR ARRAY	1	
R7122-25	DOGZ6R8JA020	M 6.8 OHM,J, 0.5W	4	
R7126	ERJ6GEYJ224	M 220KOHM,J,1/10W	1	
R7130-36	EXB38V471J	RESISTOR ARRAY	7	
R7142-45	DOGZ6R8JA020	M 6.8 OHM,J, 0.5W	4	
R7151-54	DOGZ6R8JA020	M 6.8 OHM,J, 0.5W	4	
R7155	EXB38V102J	RESISTOR ARRAY	1	
R7159	EXB38V470J	RESISTOR ARRAY	1	
R7162	EXB38V471J	RESISTOR ARRAY	1	
R7171-74	DOGZ6R8JA020	M 6.8 OHM,J, 0.5W	4	
R7177	EXB38V102J	RESISTOR ARRAY	1	
R7180	ERJ3GEYJ470	M 47 OHM,J,1/16W	1	
R7184	EXB38V220JV	RESISTOR ARRAY	1	
R7185	DOGB102JA057	M 1KOHM,J,1/16W	1	
R7186	J0JCC0000100	CHIP INDUCTOR	1	
R7212-15	DOGZ6R8JA020	M 6.8 OHM,J, 0.5W	4	
R7219	ERJ6GEYJ224	M 220KOHM,J,1/10W	1	
R7223-26	DOGZ6R8JA020	M 6.8 OHM,J, 0.5W	4	
R7229	ERJ6GEY0R00V	M 0 OHM, 1/10W	1	
R7232-35	DOGZ6R8JA020	M 6.8 OHM,J, 0.5W	4	
R7238	EXB38V471J	RESISTOR ARRAY	1	
R7245	EXB38V102J	RESISTOR ARRAY	1	
R7249	EXB38V220JV	RESISTOR ARRAY	1	
R7250	EXB38V470J	RESISTOR ARRAY	1	
R7257	ERJ3GEYJ470	M 47 OHM,J,1/16W	1	
R7258	EXB38V102J	RESISTOR ARRAY	1	
R7262-65	DOGZ6R8JA020	M 6.8 OHM,J, 0.5W	4	
R7269	DOG4R7JA047	M 4.7KOHM,J, 0.33W	1	
R7273-79	EXB38V471J	RESISTOR ARRAY	7	
R7280	DOGB102JA057	M 1KOHM,J,1/16W	1	
R7281	ERJ6GEYG102	M 1KOHM,J,1/10W	1	
R7285	EXB38V220JV	RESISTOR ARRAY	1	
R7286	J0JCC0000100	CHIP INDUCTOR	1	
R7288,89	EXB38V222J	RESISTOR ARRAY	2	
R7290,91	EXB38V470J	RESISTOR ARRAY	2	
R7701	ERJ2GEJ680	M 68 OHM, J,0.063W	1	
R7702	D0YAR0000007	M 0.0 OHM, J,0.063W	1	
R7703-05	ERJ2GEJ680	M 68 OHM, J,0.063W	3	
R7706	J0JCC0000100	CHIP INDUCTOR	1	
R7708	J0JCC0000100	CHIP INDUCTOR	1	
R7709	ERJ2GEJ680	M 68 OHM, J,0.063W	1	

Ref. No.	Part No.	Part Name & Description	Pcs	Remarks
R7710	ERJ2GEJ101	M 100 OHM, J,0.063W	1	
R7713	D0YAR0000007	M 0.0 OHM, J,0.063W	1	
R7716	J0JCC0000100	CHIP INDUCTOR	1	
R7731	D0YAR0000007	M 0.0 OHM, J,0.063W	1	
R7792-99	J0JCC0000100	CHIP INDUCTOR	8	
R8001	ERJ2GEJ181	M 180 OHM, J,0.063W	1	
R8002	ERJ2GEJ820	M 82 OHM, J,0.063W	1	
R8003	J0JCC0000100	CHIP INDUCTOR	1	
R8004	ERJ3EKF2402	M 24KOHM, 1/16W	1	
R8005	ERJ3EKF1002	M 10KOHM, 1/16W	1	
R8006	ERJ3EKF6801	M 6.8KOHM, 1/16W	1	
R8023-29	D0YAR0000007	M 0.0 OHM, J,0.063W	7	
R8030	ERJ2GEJ101	M 100 OHM, J,0.063W	1	
R8031,32	ERJ3EKF2700	M 270 OHM, 1/16W	2	
R8035	D0YAR0000007	M 0.0 OHM, J,0.063W	1	
R8039	D0YAR0000007	M 0.0 OHM, J,0.063W	1	
R8056-73	ERJ2GEJ470	M 47 OHM, J,0.063W	18	
R8074	ERJ2GEJ221	M 220 OHM, J,0.063W	1	
R8075-78	ERJ2GEJ470	M 47 OHM, J,0.063W	4	
R8079,80	D0YAR0000007	M 0.0 OHM, J,0.063W	2	
R8081	ERJ2GEJ103	M 10KOHM, J,0.063W	1	
R8082	D1BA75R0A026	M0.75KOHM, 1/10W	1	
R8083	ERJ2GEJ301	M 300 OHM, J,0.063W	1	
R8084	D0YAR0000007	M 0.0 OHM, J,0.063W	1	
R8086	ERJ2GEJ104	M 100KOHM, J,0.063W	1	
R8087	ERJ2GEJ103	M 10KOHM, J,0.063W	1	
R8090	ERJ2GEJ103	M 10KOHM, J,0.063W	1	
R8091	ERJ2GEJ101	M 100 OHM, J,0.063W	1	
R8093	ERJ2GEJ470	M 47 OHM, J,0.063W	1	
R8095	ERJ2GEJ103	M 10KOHM, J,0.063W	1	
R8097	ERJ2GEJ221	M 220 OHM, J,0.063W	1	
R8098,99	ERJ2GEJ103	M 10KOHM, J,0.063W	2	
R8100	ERJ2GEJ470	M 47 OHM, J,0.063W	1	
R8101	ERJ2GEJ103	M 10KOHM, J,0.063W	1	
R8106	ERJ2GEJ202	M 2KOHM, J,0.063W	1	
R8107	ERJ2GEJ101	M 100 OHM, J,0.063W	1	
R8111	ERJ2GEJ103	M 10KOHM, J,0.063W	1	
R8328	ERJ2GEJ103	M 10KOHM, J,0.063W	1	
R8471	ERJ2GEJ103	M 10KOHM, J,0.063W	1	
R8472	D1HG1038A002	NETWORK RESISTER	1	
R8474,75	EXB28V103JX	RESISTOR ARRAY	2	
R8502-04	ERJ2GEJ331	M 330 OHM, J,0.063W	3	
R8506	ERJ2GEJ331	M 330 OHM, J,0.063W	1	
R8507-10	ERJ3EKF91R0	M 91 OHM, 1/16W	4	
R8512	ERJ3EKF1800	M 180 OHM, 1/16W	1	

Ref. No.	Part No.	Part Name & Description	Pcs	Remarks
R8513	D0YAR0000007	M 0.0 OHM, J,0.063W	1	
R8517-19	D0YAR0000007	M 0.0 OHM, J,0.063W	3	
R8551	ERJ2GEJ103	M 10KOHM, J,0.063W	1	
R8555-61	ERJ2GEJ680	M 68 OHM, J,0.063W	7	
R8564	ERJ2GEJ103	M 10KOHM, J,0.063W	1	
R8601,02	ERJ2GEJ220	M 22 OHM, J,0.063W	2	
R8603	ERJ2GEJ473	M 47KOHM, J,0.063W	1	
R8604	ERJ6GEY0R00V	M 0 OHM, 1/10W	1	
R8605	ERJ2GEJ680	M 68 OHM, J,0.063W	1	
R8621-36	ERJ2GEJ680	M 68 OHM, J,0.063W	16	
R8653	ERJ2GEJ103	M 10KOHM, J,0.063W	1	
R8655	ERJ2GEJ103	M 10KOHM, J,0.063W	1	
R8702	D0YAR0000007	M 0.0 OHM, J,0.063W	1	
R8703	ERJ2GEJ680	M 68 OHM, J,0.063W	1	
R8709	D0YAR0000007	M 0.0 OHM, J,0.063W	1	
R8710	ERJ2GEJ680	M 68 OHM, J,0.063W	1	
R8711,12	ERJ2GEJ103	M 10KOHM, J,0.063W	2	
R8732	ERJ2GEJ101	M 100 OHM, J,0.063W	1	
R8735-39	ERJ2GEJ680	M 68 OHM, J,0.063W	5	
R8742	ERJ2GEJ103	M 10KOHM, J,0.063W	1	
R8745,46	ERJ2GEJ103	M 10KOHM, J,0.063W	2	
R8749	ERJ2GEJ103	M 10KOHM, J,0.063W	1	
R8802-09	ERJ2GEJ103	M 10KOHM, J,0.063W	8	
R8812	D0YAR0000007	M 0.0 OHM, J,0.063W	1	
R8813	EXB28V680JX	RESISTOR ARRAY	1	
R8814-17	ERJ2GEJ680	M 68 OHM, J,0.063W	4	
R8818	ERJ2GEJ472	M 4.7KOHM, J,0.063W	1	
R8823	ERJ2GEJ472	M 4.7KOHM, J,0.063W	1	
R8826	ERJ2GEJ680	M 68 OHM, J,0.063W	1	
R8828	ERJ2GEJ103	M 10KOHM, J,0.063W	1	
R8832	ERJ2GEJ103	M 10KOHM, J,0.063W	1	
R8833	J0JCC0000100	CHIP INDUCTOR	1	
R8851-54	D0YAR0000007	M 0.0 OHM, J,0.063W	4	
R8855-60	ERJ2GEJ680	M 68 OHM, J,0.063W	6	
R8862-64	ERJ2GEJ680	M 68 OHM, J,0.063W	3	
R8865-67	EXB2HV680J	RESISTOR ARRAY	3	
R8868	ERJ2GEJ680	M 68 OHM, J,0.063W	1	
R8869	ERJ2GEJ103	M 10KOHM, J,0.063W	1	
R8870	D0YAR0000007	M 0.0 OHM, J,0.063W	1	
R8871	ERJ2GEJ103	M 10KOHM, J,0.063W	1	
R8874-76	ERJ2GEJ103	M 10KOHM, J,0.063W	3	
R8877-89	ERJ2GEJ680	M 68 OHM, J,0.063W	13	

Ref. No.	Part No.	Part Name & Description	Pcs	Remarks
R8891,92	ERJ2GEJ680	M 68 OHM, J,0.063W	2	
R8893	DOYAR0000007	M 0.0 OHM, J,0.063W	1	
R8894	ERJ2GEJ680	M 68 OHM, J,0.063W	1	
R8895-97	DOYAR0000007	M 0.0 OHM, J,0.063W	3	
R8898,99	ERJ2GEJ103	M 10KOHM, J,0.063W	2	
R8900,01	ERJ2GEJ680	M 68 OHM, J,0.063W	2	
R8904-10	ERJ2GEJ103	M 10KOHM, J,0.063W	7	
R8911-18	ERJ2GEJ680	M 68 OHM, J,0.063W	8	
R8919-22	ERJ2GEJ472	M 4.7KOHM, J,0.063W	4	
R8923,24	ERJ2GEJ222	M 2.2KOHM, J,0.063W	2	
R8925,26	ERJ2GEJ472	M 4.7KOHM, J,0.063W	2	
R8927	DOYAR0000007	M 0.0 OHM, J,0.063W	1	
R8928	ERJ2GEJ473	M 47KOHM, J,0.063W	1	
R8929	EXB2HVR000	RESISTOR ARRAY	1	
R8930	ERJ2GEJ103	M 10KOHM, J,0.063W	1	
R8932	ERJ2GEJ473	M 47KOHM, J,0.063W	1	
R8933-35	ERJ2GEJ103	M 10KOHM, J,0.063W	3	
R8947	ERJ2GEJ680	M 68 OHM, J,0.063W	1	
R8948	ERJ2GEJ103	M 10KOHM, J,0.063W	1	
R8952	ERJ2GEJ680	M 68 OHM, J,0.063W	1	
R8963	ERJ2GEJ103	M 10KOHM, J,0.063W	1	
R9062-67	ERJ3GEYJ101	M 100 OHM,J,1/16W	6	
R9070	ERJ3GEYJ470	M 47 OHM,J,1/16W	1	
R9099	D0GB103JA057	M 10KOHM,J,1/16W	1	
R9101,02	D0GB103JA057	M 10KOHM,J,1/16W	2	
R9104,05	D0GB103JA057	M 10KOHM,J,1/16W	2	
R9107	ERJ3GEYJ332	M 3.3KOHM,J,1/16W	1	
R9108,09	D0GB103JA057	M 10KOHM,J,1/16W	2	
R9110	ERJ3GEYJ101	M 100 OHM,J,1/16W	1	
R9112	D0GB103JA057	M 10KOHM,J,1/16W	1	
R9113	ERJ3GEYJ100	M 10 OHM,J,1/16W	1	
R9115,16	ERJ3GEYJ101	M 100 OHM,J,1/16W	2	
R9119	EXB38V470J	RESISTOR ARRAY	1	
R9120	ERJ3GEYJ101	M 100 OHM,J,1/16W	1	
R9121	ERJ3GEYJ104	M 100KOHM,J,1/16W	1	
R9122,23	D0GB103JA057	M 10KOHM,J,1/16W	2	
R9126	D0GB103JA057	M 10KOHM,J,1/16W	1	
R9127	ERJ3GEYJ683	M 68KOHM,J,1/16W	1	
R9129	ERJ3GEYJ683	M 68KOHM,J,1/16W	1	
R9131-33	ERJ3GEYJ472	M 4.7KOHM,J,1/16W	3	
R9134	ERJ3GEYJ333	M 33KOHM,J,1/16W	1	
R9135	ERJ3GEYJ472	M 4.7KOHM,J,1/16W	1	
R9141-45	ERJ3GEYJ101	M 100 OHM,J,1/16W	5	
R9149	ERJ3GEYJ472	M 4.7KOHM,J,1/16W	1	
R9150,51	ERJ3GEYJ220	M 22 OHM,J,1/16W	2	
R9154,55	ERJ3GEYJ562	M 5.6KOHM,J,1/16W	2	
R9156	D0GB103JA057	M 10KOHM,J,1/16W	1	
R9158,59	D0GB103JA057	M 10KOHM,J,1/16W	2	

Ref. No.	Part No.	Part Name & Description	Pcs	Remarks
R9160,61	J0JCC0000100	CHIP INDUCTOR	2	
R9164,65	ERJ3GEYJ222	M 2.2KOHM,J,1/16W	2	
R9166	D0GB103JA057	M 10KOHM,J,1/16W	1	
R9167	ERJ3GEYJ101	M 100 OHM,J,1/16W	1	
R9170-72	D0GB393JA041	M 39KOHM,J,1/16W	3	
R9173,74	D0GB103JA057	M 10KOHM,J,1/16W	2	
R9177	ERJ3GEYJ223	M 22KOHM,J,1/16W	1	
R9181-84	D0GB102JA057	M 1KOHM,J,1/16W	4	
R9185,86	ERJ3GEYJ220	M 22 OHM,J,1/16W	2	
R9187,88	ERJ3GEYJ562	M 5.6KOHM,J,1/16W	2	
R9189,90	D0GB103JA057	M 10KOHM,J,1/16W	2	
R9193	D0GB103JA057	M 10KOHM,J,1/16W	1	
R9194	J0JCC0000100	CHIP INDUCTOR	1	
R9196	D0GB103JA057	M 10KOHM,J,1/16W	1	
R9199	ERJ3GEYJ272	M 2.7KOHM,J,1/16W	1	
R9200,01	ERJ3GEYJ100	M 10 OHM,J,1/16W	2	
R9203	D0GB102JA057	M 1KOHM,J,1/16W	1	
R9205	ERJ3GEYJ472	M 4.7KOHM,J,1/16W	1	
R9206,07	D0GB102JA057	M 1KOHM,J,1/16W	2	
R9215	D0GB123JA057	M 12KOHM,J,1/16W	1	
R9217-22	D0GB103JA057	M 10KOHM,J,1/16W	6	
R9223	ERJ3GEYJ272	M 2.7KOHM,J,1/16W	1	
R9225	ERJ3GEYJ272	M 2.7KOHM,J,1/16W	1	
R9237	D0GB103JA057	M 10KOHM,J,1/16W	1	
R9240	J0JCC0000100	CHIP INDUCTOR	1	
R9317	ERJ3GEYJ391	M 390 OHM,J,1/16W	1	
R9347,48	EXB2HV220JV	RESISTOR ARRAY	2	
R9349	EXB2HV470JV	RESISTOR ARRAY	1	
R9350,51	ERJ3GEYJ220	M 22 OHM,J,1/16W	2	
R9352	EXB2HV220JV	RESISTOR ARRAY	1	
R9354-56	EXB2HV220JV	RESISTOR ARRAY	3	
R9361,62	ERJ3GEYJ220	M 22 OHM,J,1/16W	2	
R9363	EXB2HV470JV	RESISTOR ARRAY	1	
R9369	ERJ3GEYJ472	M 4.7KOHM,J,1/16W	1	
R9370	D0GB103JA057	M 10KOHM,J,1/16W	1	
R9371	ERJ3GEYJ104	M 100KOHM,J,1/16W	1	
R9379	J0JCC0000100	CHIP INDUCTOR	1	
R9380	ERJ3GEYJ560	M 56 OHM,J,1/16W	1	
R9383	D0GB102JA057	M 1KOHM,J,1/16W	1	
R9384,85	ERJ3GEYJ472	M 4.7KOHM,J,1/16W	2	
R9391	ERJ3GEYJ104	M 100KOHM,J,1/16W	1	
R9392,93	J0JCC0000100	CHIP INDUCTOR	2	
R9396-99	ERJ3GEYJ220	M 22 OHM,J,1/16W	4	
R9402	ERJ6GEY0R00V	M 0 OHM, 1/10W	1	
R9403	EXB2HV470JV	RESISTOR ARRAY	1	
R9500	D0GB103JA057	M 10KOHM,J,1/16W	1	
R9502	D0GB103JA057	M 10KOHM,J,1/16W	1	
R9503	ERJ3GEYJ470	M 47 OHM,J,1/16W	1	
R9506	ERJ3GEYJ220	M 22 OHM,J,1/16W	1	
R9507	J0JCC0000100	CHIP INDUCTOR	1	
R9511-13	ERJ3GEYJ470	M 47 OHM,J,1/16W	3	
R9516	D0GB103JA057	M 10KOHM,J,1/16W	1	
R9518	J0JCC0000100	CHIP INDUCTOR	1	
R9523	ERJ3GEYJ472	M 4.7KOHM,J,1/16W	1	
R9525	D0GB103JA057	M 10KOHM,J,1/16W	1	
R9526	J0JCC0000100	CHIP INDUCTOR	1	
R9530	D0GB103JA057	M 10KOHM,J,1/16W	1	
R9531-33	ERJ3GEYJ470	M 47 OHM,J,1/16W	3	
R9534	EXB38V470J	RESISTOR ARRAY	1	
R9535,36	ERJ3GEYJ470	M 47 OHM,J,1/16W	2	
R9538,39	D0GB103JA057	M 10KOHM,J,1/16W	2	
R9541	D0GB103JA057	M 10KOHM,J,1/16W	1	
R9543,44	D0GB103JA057	M 10KOHM,J,1/16W	2	

Ref. No.	Part No.	Part Name & Description	Pcs	Remarks
R9545	ERJ3GEYJ304	M 300KOHM,J,1/16W	1	
R9548-50	D0GB103JA057	M 10KOHM,J,1/16W	3	
R9552	D0GB103JA057	M 10KOHM,J,1/16W	1	
R9553,54	J0JCC0000100	CHIP INDUCTOR	2	
R9557,58	J0JCC0000100	CHIP INDUCTOR	2	
R9561	EXB38V222J	RESISTOR ARRAY	1	
R9562	ERJ3GEYJ470	M 47 OHM,J,1/16W	1	
R9563-66	EXB2HV470JV	RESISTOR ARRAY	4	
R9567	D0GB103JA057	M 10KOHM,J,1/16W	1	
R9569	J0JCC0000100	CHIP INDUCTOR	1	
R9824-27	ERJ3GEYJ101	M 100 OHM,J,1/16W	4	
R9828	ERJ3GEYJ104	M 100KOHM,J,1/16W	1	
R9839	EXB38V101JV	RESISTOR ARRAY	1	
R9840	ERJ3GEYJ220	M 22 OHM,J,1/16W	1	
R9845	D0GB103JA057	M 10KOHM,J,1/16W	1	
R9846,47	EXB2HV222JV	RESISTOR ARRAY	2	
R9848,49	EXB2HV470JV	RESISTOR ARRAY	2	
R9850	D0GB473JA057	M 47KOHM,J,1/16W	1	
R9854	ERJ3GEYJ101	M 100 OHM,J,1/16W	1	
R9859	EXB38V101JV	RESISTOR ARRAY	1	
R9861-63	D0GB103JA057	M 10KOHM,J,1/16W	3	
R9868	ERJ3GEYJ104	M 100KOHM,J,1/16W	1	
R9869-71	D0GB103JA057	M 10KOHM,J,1/16W	3	
R9872	J0JCC0000100	CHIP INDUCTOR	1	
R9874	J0JCC0000100	CHIP INDUCTOR	1	
R9878	ERJ3EKF1102	M 11KOHM, 1/16W	1	
R9879	ERJ3EKF1302	M 13KOHM, 1/16W	1	
R9886,87	ERJ3EKF5602	M 56KOHM, 1/16W	2	
R9888	ERJ3EKF1102	M 11KOHM, 1/16W	1	
R9889	ERJ3EKF1742	M17.2KOHM, 1/16W	1	
R9890	ERJ3EKF4752	M47.5KOHM, 1/16W	1	
R9891	ERJ3EKF1272	M12.7KOHM, 1/16W	1	
R9892	ERJ3GEYJ104	M 100KOHM,J,1/16W	1	
R9893	ERJ3EKF5602	M 56KOHM, 1/16W	1	
R9894	ERJ3EKF1102	M 11KOHM, 1/16W	1	
R9895	ERJ3GEYJ104	M 100KOHM,J,1/16W	1	
R9896	ERJ3EKF1822	M18.2KOHM, 1/16W	1	
R9897	ERJ3EKF4752	M47.5KOHM, 1/16W	1	
R9901,02	J0JCC0000100	CHIP INDUCTOR	2	
R9903	EXB2HV470JV	RESISTOR ARRAY	1	
R9904	ERJ3GEYJ470	M 47 OHM,J,1/16W	1	
R9905	ERJ3GEYJ330	M 33 OHM,J,1/16W	1	
R9906	EXB38V470J	RESISTOR ARRAY	1	
R9907	D0GB151JA057	M 150 OHM,J,1/16W	1	
R9908-11	J0JCC0000100	CHIP INDUCTOR	4	
R9912	D0GB103JA057	M 10KOHM,J,1/16W	1	
R9915-18	J0JCC0000100	CHIP INDUCTOR	4	
R9919	D0GB102JA057	M 1KOHM,J,1/16W	1	
R9922	J0JCC0000100	CHIP INDUCTOR	1	
R9928,29	J0JCC0000100	CHIP INDUCTOR	2	
R9936-39	ERJ3EKF1001	M 1KOHM, 1/16W	4	
R9940	ERJ3GEYJ330	M 33 OHM,J,1/16W	1	
R9941,42	ERJ3GEYJ470	M 47 OHM,J,1/16W	2	
R9943-51	EXB38V470J	RESISTOR ARRAY	9	
R9952-55	ERJ3GEYJ470	M 47 OHM,J,1/16W	4	
R9956	D0GB103JA057	M 10KOHM,J,1/16W	1	
R9960	J0JCC0000100	CHIP INDUCTOR	1	
R9961	D0GB103JA057	M 10KOHM,J,1/16W	1	
RM2501	PNA4701M05TV	REMOCON RECEIVER	1	
S1	K1KA03BA0061	3P CONNECTOR	1	
SC2	K1KA02A00676	2P CONNECTOR	1	
SC20	K1KY30AA0369	30P CONNECTOR	1	
SC30	K1KA10AA0191	10P CONNECTOR	1	
SC41,42	K1ML80B00001	80P CONNECTOR	2	

Ref. No.	Part No.	Part Name & Description	Pcs	Remarks
SC45,46	K1KA09A00239	9P CONNECTOR	2	
SCMM1,M2	TMME260	CLAMPER	2	
SD1-D4	K1MN96B00005	96P CONNECTOR	4	
SD46	K1KB09AA0213	9P CONNECTOR	1	
SS11	K1KA02A00676	2P CONNECTOR	1	
SS12	K1KA10AA0194	10P CONNECTOR	1	
SS23	K1KA12AA0194	12P CONNECTOR	1	
SS34	K1KA03AA0193	3P CONNECTOR	1	
SS53A-6A	K1MN13BA0258	13P CONNECTOR	4	
SU1-U4	K1MN96B00005	96P CONNECTOR	4	
SU45	K1KB09AA0213	9P CONNECTOR	1	
SW2500	K0F162B00002	SWITCH	1	△
SW3753-57	EVQPC105K	SWITCH	5	
T6602	ETS25AZ169AD	SWITCHING TRANS	1	
TU3200	ENG36E01GF	TUNER	1	△
VR6000	EVMEASA00B14	CONTROL 10KOHMB 0.3W	1	
VR6600	EVMEASA00B13	CONTROL 1KOHMB 0.3W	1	
VR6602	EVMEASA00B53	CONTROL 5KOHMB 0.3W	1	
X1100	H0J100500035	CRYSTAL	1	
X2010	H0J245500082	CRYSTAL	1	
X2011	H0J244500001	CRYSTAL	1	
X4500	H0J270500113	CRYSTAL	1	
X8001	H0J270500061	CRYSTAL	1	
X9000	H2D100500004	CRYSTAL	1	
X9200	H0J200500038	CRYSTAL	1	
ZA0001	K4AZ01D00004	TERMINAL	1	
ZA0002	K4CD08000002	AV TERMINAL	1	
ZA0004,05	K4AZ01D00004	TERMINAL	2	
ZA0006,07	K4CD08000002	AV TERMINAL	2	
ZA3001-08	K4CD08000002	AV TERMINAL	8	
ZA3701	K4CZ01000027	COMPATIBLE WITH JALCO K9	1	
ZA5501-03	K4CZ01000027	COMPATIBLE WITH JALCO K9	3	
ZA6001,02	K4CD01000011	AV TERMINAL	2	
ZA6005	K4CD01000011	AV TERMINAL	1	
ZA6401-03	K4CD01000011	AV TERMINAL	3	
ZA7101-04	K4AD01Z00001	TERMINAL	4	
ZA7201-04	K4AD01Z00001	TERMINAL	4	
ZA9001	K4CD01000011	AV TERMINAL	1	
C404	F0CZZ445A097	E 0.044UF, 200V	1	
C406	F1E2J4730001	C 0.047PF, , 600V	1	
C407	F2B2W220A032	C 22UF, 450V	1	△
C408	ECJ1VB1H102K	C 1000PF, K, 50V	1	
C410	F1J1E105A080	E 1 UF 25V	1	
C413	ECJ1VB1E104K	C 0.10UF, K, 25V	1	
C420	F1J1E105A080	E 1 UF 25V	1	
C421	ECJ1VB1E104K	C 0.10UF, K, 25V	1	
C423	ECJ1VB1H472K	C 4700PF, K, 50V	1	
C425	F1J1E105A080	E 1 UF 25V	1	
C426	ECJ1VC1H471J	C 470PF, J, 50V	1	
C427	F1H1C105A071	C 1UF, K, 16V	1	
C428	ECJ1XC1H221J	C 220PF, J, 50V	1	
C429	F1E2J4730001	C 0.047PF, , 600V	1	
C431	ECJ1VB1H102K	C 1000PF, K, 50V	1	
C432,33	F1H1C105A071	C 1UF, K, 16V	2	
C435	ECJ1XC1H101J	C 100PF, J, 50V	1	
C436	F1H1C105A071	C 1UF, K, 16V	1	

Ref. No.	Part No.	Part Name & Description	Pcs	Remarks
C437	ECJ1VB1H103K	C 0.001UF, K, 50V	1	
C443,44	ECKD3A102KBP	C 1000PF, K, 1KV	2	
C445	F1H1C105A071	C 1UF, K, 16V	1	
C446	F2B2W3910010	C 390UF, 450V	1	△
C450	ECJ1VB1H103K	C 0.001UF, K, 50V	1	
C451	ECKD3A101KBP	C 100PF, K, 1KV	1	
C457	ECWH12333RHV	P 0.013UF,J,1.2KV	1	
C462	FLJ1E105A080	E 1 UF 25V	1	
C463	F1H1H2200008	E 22UF, 50V	1	
C467	F1BAF221A107	C 220UF, 250V	1	△
C468	ECJ1VB1H103K	C 0.001UF, K, 50V	1	
C469	F1BAF221A107	C 220UF, 250V	1	△
C470	FOCAF335A080	C 0.033UF, 250V	1	△
C472	F1BAF221A107	C 220UF, 250V	1	△
C474,75	F1BAF221A107	C 220UF, 250V	2	△
C478	F1BAF221A107	C 220UF, 250V	1	△
C492	ECA1HM100	E 10UF, 50V	1	
C493	ECA1HM470	E 47UF, 50V	1	
C493	F2A1H4700057	E 47UF, 50V	1	
C497	F2A1H4700057	E 47UF, 50V	1	
C501,02	ECJ1VB1H103K	C 0.001UF, K, 50V	2	
C504	F1H1C105A071	C 1UF, K, 16V	1	
C505	ECJ1VB1H102K	C 1000PF, K, 50V	1	
C506	ECJ1VB1H103K	C 0.001UF, K, 50V	1	
C507	ECJ1VB1E104K	C 0.10UF, K, 25V	1	
C509	ECA1EHG101	E 100UF, 25V	1	
C511	ECJ1VB1H102K	C 1000PF, K, 50V	1	
C515	F2A1A1220015	E 1200UF, 10V	1	
C516	ECJ1VB1C474K	C 0.47UF,K, 16V	1	
C517	F2A1E221A096	E 220UF, 25V	1	
C518,19	F1H1C105A071	C 1UF, K, 16V	2	
C520	FOC2E683A160	E 0.068UF, 250V	1	
C521	ECJ1VB1H103K	C 0.001UF, K, 50V	1	
C522	F1E2E1030002	C 0.010PF, , 600V	1	
C523	FLJ1E105A080	E 1 UF 25V	1	
C526	ECJ1VB1H223K	C 0.22UF, K, 50V	1	
C528	ECJ1VB1H102K	C 1000PF, K, 50V	1	
C529	ECJ2FB1C475K	C 47UF, K, 16V	1	
C530	ECJ1VB1E333K	C 0.033UF, K, 25V	1	
C531	ECJ1VB1E104K	C 0.10UF, K, 25V	1	
C534	F1H1H471A792	E 470UF, 50V	1	
C546,47	ECJ1VB1H102K	C 1000PF, K, 50V	2	
C552	ECJ1VB1E104K	C 0.10UF, K, 25V	1	
C554	F1H1C105A071	C 1UF, K, 16V	1	△
C555	F2A2C4710003	E 470UF, 160V	1	
C556	F2A1E3320039	E 3300PF, 25V	1	
C558	F2A1E4710065	E 470UF, 25V	1	
C559	F2A1A1020084	E 1000UF, 10V	1	
C562	F1H1H223A219	E 0.022UF, 50V	1	
C571	ECJ1VCLH330J	C 33PF, J, 50V	1	
C574	ECJ1VB1E104K	C 0.10UF, K, 25V	1	
C577	F2A2A330A022	E 33UF, 100V	1	△
C581	ECJ2VB1H223K	C 0.022UF, K, 50V	1	
C583	ECJ1VB1H102K	C 1000PF, K, 50V	1	
C584	ECJ2VB1H223K	C 0.022UF, K, 50V	1	
C585	F1H1H223A219	E 0.022UF, 50V	1	
C587	ECJ1VB1H332K	C 3300PF, K, 50V	1	
C590	ECJ1XB1H104K	C 10PF, J, 50V	1	
C601	ECJ1VB1H103K	C 0.001UF, K, 50V	1	
C603	FLJ1E105A080	E 1 UF 25V	1	
C604,05	F2A2D1510008	E 150UF, 200V	2	△
C607	F1H1C105A071	C 1UF, K, 16V	1	
C610	FLJ1E105A080	E 1 UF 25V	1	

Ref. No.	Part No.	Part Name & Description	Pcs	Remarks
C611	F2B2T1420003	E 142UF, 220V	1	△
C612	ECJ1VB1H103K	C 0.001UF, K, 50V	1	
C616	ECKD3A102KBP	C 1000PF, K, 1KV	1	
C619	F1H1C105A071	C 1UF, K, 16V	1	
C620	FLJ1E105A080	E 1 UF 25V	1	
C623	ECA1HM100	E 10UF, 50V	1	
C624	ECJ1VB1H103K	C 0.001UF, K, 50V	1	
C625	F2A1H1000083	E 10UF, 50V	1	
C626	ECJ1VB1H103K	C 0.001UF, K, 50V	1	
C627	ECJ1VB1H102K	C 1000PF, K, 50V	1	
C630,31	ECJ1VB1H103K	C 0.001UF, K, 50V	2	
C632	ECJ2XC1H330J	C 33PF, J, 50V	1	
C639	ECJ1VB1H103K	C 0.001UF, K, 50V	1	
C640	ECJ1VC1H330J	C 33PF, J, 50V	1	
C641	ECJ1VB1H102K	C 1000PF, K, 50V	1	
C650,51	ECJ1VB1E104K	C 0.10UF, K, 25V	2	
C653	ECJ1VB1H102K	C 1000PF, K, 50V	1	
C657	ECJ1VB1H102K	C 1000PF, K, 50V	1	
C658	FLJ1E105A080	E 1 UF 25V	1	
C660	ECJ2FB1C225K	C 22UF, K, 16V	1	
C661	ECJ1VB1H103K	C 0.001UF, K, 50V	1	
C662	ECJ2VB1H103K	C 0.01UF, K, 50V	1	
C665	ECJ1XC1H101J	C 100PF, J, 50V	1	
C666	ECJ1VB1H103K	C 0.001UF, K, 50V	1	
C667,68	ECJ1VB1H102K	C 1000PF, K, 50V	2	
C670	ECJ1VB1E104K	C 0.10UF, K, 25V	1	
C671	ECJ2VB1E104K	C 0.1UF, K, 25V	1	
C672	ECJ1VB1E104K	C 0.10UF, K, 25V	1	
C673	F1E2J4730001	C 0.047PF, , 600V	1	
D401	BOFBT000008	DIODE	1	△
D404	BOEBKT000007	DIODE	1	△
D407,08	BOACDJ000010	DIODE	2	
D411	BOBB17000009	DIODE	1	
D415	BOJAME000099	DIODE	1	
D416	BOHAMP000067	DIODE	1	
D417	BOEAMR000009	DIODE	1	
D418	BOBC8R100013	ZENER DIODE	1	
D419,20	BOEAMR000009	DIODE	2	
D423	MA188	DIODE	1	
D425	MA188	DIODE	1	
D429	BOEAKT000048	DIODE	1	
D431	BOJCDD000002	DIODE	1	
D433	BOBC01400033	ZENER DIODE	1	
D435	BOEAKT000048	DIODE	1	
D436	BOAACK000004	DIODE	1	
D436	MA165TA5	DIODE	1	
D438	BOBC02000014	ZENER DIODE	1	
D439	BOEAKT000048	DIODE	1	
D441	BOHAMM000122	DIODE	1	
D444	BOHAMM000122	DIODE	1	
D445	MTZJ10B	ZENER DIODE	1	
D501	BOEAMR000010	DIODE	1	
D503	BOAACK000004	DIODE	1	
D503	MA165TA5	DIODE	1	
D504	BOAACK000004	DIODE	1	
D504	MA165TA5	DIODE	1	
D506	BOACDJ000010	DIODE	1	
D507,08	BOBC7R400023	ZENER DIODE	2	
D509	BOJANG000018	DIODE	1	
D511	BOJAML000011	DIODE	1	
D512	BOACDJ000010	DIODE	1	
D516-18	BOBA03300004	ZENER DIODE	3	
D520	BOACDJ000010	DIODE	1	
D521	BOJAME000099	DIODE	1	
D522,23	BOJCDD000002	DIODE	2	
D524	BOAACK000004	DIODE	1	

Ref. No.	Part No.	Part Name & Description	Pcs	Remarks
D524	MA165TA5	DIODE	1	
D531	B0HBSN000013	DIODE	1	
D535	MA188	DIODE	1	
D536	B0JBSG000026	DIODE	1	
D538	B0BC5R100039	ZENER DIODE	1	
D539,40	B0HARR000019	DIODE	2	
D543	B0BC01400033	ZENER DIODE	1	
D544,45	B0BA02100001	ZENER DIODE	2	
D546	B0BA02800001	ZENER DIODE	1	
D549	B0BC02500008	ZENER DIODE	1	
D569,70	B0BA05100010	ZENER DIODE	2	
D579	B0AACK000004	DIODE	1	
D582	MAZ705600F	ZENER DIODE	1	
D584	MAZ706200F	ZENER DIODE	1	
D586	B0HAMP000067	DIODE	1	
D598	B0BC5R100039	ZENER DIODE	1	
D599	B0JCND000009	DIODE	1	
D600	B0BC7R400023	ZENER DIODE	1	
D601	B0BC5R100039	ZENER DIODE	1	
D602	B0BC8R100013	ZENER DIODE	1	
D603	B0BA01900005	ZENER DIODE	1	
D701,02	B0BC5R100039	ZENER DIODE	2	
D703	B0EAKT000048	DIODE	1	
F403	K5G631B00007	FUSE	1	△
IC401	CNC1S171R	IC	1	△
IC403	CNC1S171R	IC	1	△
IC406	C0DBZZ000082	IC	1	
IC408	B3PBA0000459	IC	1	△
IC409	MIP3E30MPSCF	IC	1	△
IC411	C0DAEMZ00001	IC	1	
IC412	CNC1S171R	IC	1	△
IC501	C2ABDB000114	IC	1	
IC502	C0EBH0000210	IC	1	
IC504	C0DAEMZ00001	IC	1	
IC505	B3PBA0000459	IC	1	△
IC506	C0DAEMZ00001	IC	1	
IC507	B3PBA0000459	IC	1	△
IC508	C0DAEMZ00001	IC	1	
IC509	C0BBAA000039	IC	1	
IC510	C0DBAZG00034	IC	1	
IC511-13	C0DAEMZ00001	IC	3	
IC520	C9ZB00000561	IC	1	
L403	EXCELSA35	BEAD CHOKE	1	
L404,05	G0B123K00004	CHOKE COIL	2	△
L406	J0JCC0000004	CHIP INDUCTOR	1	
L410	G0B353D00002	CHOKE COIL	1	△
L511	G0A470ZA0035	CHOKE COIL	1	
L512	G0C4R7JA0021	PEAKING COIL	1	
L514	G0A100GA0013	CHOKE COIL	1	
L515	J0JKB0000037	FLAT CORE	1	
L518	J0JCC0000004	CHIP INDUCTOR	1	
P2	K1KA02A00676	2P CONNECTOR	1	
P5	K1KB23A00004	23P CONNECTOR	1	
P9	K1KA03A00608	3P CONNECTOR	1	
P11	K1KA02A00676	2P CONNECTOR	1	
P12	K1KA08A00514	8P CONNECTOR	1	
P25	K1KA13AA0194	13P CONNECTOR	1	
PMM1	TMME047	CLAMPER	1	
PMM2,M3	TMM7464-2	CLAMPER	2	
PMM5	TMM7464-2	CLAMPER	1	
PMM6-M8	TMME260	CLAMPER	3	
PR401	K5Y502BA0001	FUSE	1	△
PR402	ERBSE0R50U	FUSE	1	△
PR501	ERBSE0R50U	FUSE	1	△
PR505	ERBSE5R00U	FUSE	1	△
PR509	ERBSE0R50U	FUSE	1	△
PR601	K5G312B00012	FUSE	1	△

Ref. No.	Part No.	Part Name & Description	Pcs	Remarks
Q401	B1CHND000004	TRANSISTOR	1	
Q402	B1CBGD000001	FET	1	
Q404	B1BCCF000022	TRANSISTOR	1	
Q406	B1DEKQ000003	TRANSISTOR	1	△
Q407	B1HFCFA00021	TRANSISTOR	1	
Q408,09	B1DHCD000034	TRANSISTOR	2	
Q410	2SD1819ARL	TRANSISTOR	1	
Q411	B1HFCFA00021	TRANSISTOR	1	
Q412,13	B1DEGQ000070	TRANSISTOR	2	△
Q420	2SD1819ARL	TRANSISTOR	1	
Q422	B1CBGD000001	FET	1	
Q501,02	2SD1820A0L	TRANSISTOR	2	
Q507	B1DAGQ000013	TRANSISTOR	1	
Q508	B1HBCFA00033	TRANSISTOR	1	
Q509	B1HDCEA00001	TRANSISTOR	1	
Q510	B1DFDD000019	TRANSISTOR	1	
Q517	B1HBCFA00033	TRANSISTOR	1	
Q520	B1HBCFA00033	TRANSISTOR	1	
Q521	B1CBGD000001	FET	1	
Q524	B1CFGF000008	TRANSISTOR	1	
Q525	B1CBGD000001	FET	1	
Q527	B1CERM000012	FET	1	
Q530	B1ADCF000111	TRANSISTOR	1	
Q535	2SD1819ARL	TRANSISTOR	1	
Q537	B1DFDD000019	TRANSISTOR	1	
Q538	B1CBGD000001	FET	1	
Q540	B1DFDD000019	TRANSISTOR	1	
Q541	B1CBGD000001	FET	1	
Q553	2SD1819ARL	TRANSISTOR	1	
Q554	B1CHND000004	TRANSISTOR	1	
Q555,56	B1CFRD000018	FET	2	
Q563	2SD1819ARL	TRANSISTOR	1	
Q564,65	B1ADCF000111	TRANSISTOR	2	
Q566	2SD1819ARL	TRANSISTOR	1	
Q569	B1CBGD000001	FET	1	
R401	ERJ6GEYG103	M 10KOHM,J,1/10W	1	
R402	ERJ6GEYG821	M 820 OHM,J,1/10W	1	
R403	ERJ6GEYG105	M 1MOHM,J,1/10W	1	
R404	ERJ6GEYG153	M 15KOHM,J,1/10W	1	
R405	D0B1825JA033	M1.22MOHM,J,0.05 W	1	△
R406	ERX12SJ4R7	M 4.7 OHM, J,1/2W	1	
R407	D1AB2203A023	CHIP RESISTOR	1	
R408	ERJ6GEYF472	M 4.7KOHM,F,1/10W	1	
R409	ERJ6GEYG102	M 1KOHM,J,1/10W	1	
R410	D1AB2203A023	CHIP RESISTOR	1	
R411	ERF5TJ100	W 10 OHM, J, 5W	1	△
R414	ERJ8GEYJ153	M 15KOHM, J,1/8W	1	
R415	D1AB2203A023	CHIP RESISTOR	1	
R417	D1AB4303A023	CHIP RESISTOR	1	
R418	ERJ6GEYJ6R8V	M 6.8 OHM,J,1/10W	1	
R419	ERJ6GEYG104	M 100KOHM,J,1/10W	1	
R421	ERJ6GEYF333	M 33KOHM,J,1/10W	1	
R422	ERJ6GEYF472	M 4.7KOHM,F,1/10W	1	
R423	ERJ6GEYG221	M 220 OHM,J,1/10W	1	
R424	ERJ6GEYJ223	M 22KOHM,J,1/10W	1	
R425	ERJ6ENF1802	M 18KOHM, 1/10W	1	
R426	ERJ6GEYG103	M 10KOHM,J,1/10W	1	
R428	ERJ6GEYG103	M 10KOHM,J,1/10W	1	
R429	ERJ6GEYJ4R7	M 4.7 OHM,J,1/10W	1	
R430	D1AB4303A023	CHIP RESISTOR	1	
R431	ERJ6GEYG103	M 10KOHM,J,1/10W	1	
R432	D1AB4303A023	CHIP RESISTOR	1	
R433	ERJ6GEYF123	M 12KOHM, 1/10W	1	
R436	ERJ8GEYJ153	M 15KOHM, J,1/8W	1	

Ref. No.	Part No.	Part Name & Description	Pcs	Remarks
R437	ERJ6GEYG183	M 18KOHM,J,1/10W	1	
R438	ERJ6GEYG331	M 330 OHM,G,1/10W	1	
R439	ERG12SJ120	M 12 OHM, J,1/2W	1	
R440	ERJ8GEYJ474	M 470KOHM, J,1/8W	1	
R441,42	DIAB6803A023	CHIP RESISTOR	2	
R443	EVMAASA00B23	CONTROL 2KOHMB	1	
R444	ERJ6GEYF123	M 12KOHM,J,1/10W	1	
R445	DIAB6803A023	CHIP RESISTOR	1	
R448,49	DOXGR10J0003	M 0.100HM,J, 5W	2	
R450	ERJ6GEYJ4R7	M 4.7 OHM,J,1/10W	1	
R451	ERJ6GEYF333	M 33KOHM,J,1/10W	1	
R452	ERJ6GEYG103	M 10KOHM,J,1/10W	1	
R454	ERJ6GEYG103	M 10KOHM,J,1/10W	1	
R455	ERJ6GEYF123	M 12KOHM,J,1/10W	1	
R456	ERJ6GEYF333	M 33KOHM,J,1/10W	1	
R458	ERJ6GEYF472	M 4.7KOHM,F,1/10W	1	
R460	ERDS2TC0	C 0 OHM, 1/4W	1	
R461	ERJ6GEYG103	M 10KOHM,J,1/10W	1	
R463	ERJ6GEYF333	M 33KOHM,J,1/10W	1	
R464	ERJ6ENF3302	M 33KOHM, 1/10W	1	
R467	ERJ6GEYG102	M 1KOHM,J,1/10W	1	
R468,69	ERX12SJ1R0	M 0.1 OHM, J,1/2W	2	
R471	ERJ8GEYJ332	M 3.3KOHM, J,1/8W	1	
R472-74	DIAB5603A023	CHIP RESISTOR	3	
R476,77	ERJ14YJ181	M 181 OHM, J,1/4W	2	
R478	ERJ8GEYJ220	M 22 OHM, J,1/8W	1	
R482	ERJ8GEYJ220	M 22 OHM, J,1/8W	1	
R483	DOBFB334JA030	CHIP RESISTOR	1	△
R484	ERJ6GEYF473	M 47KOHM,J,1/10W	1	
R485	ERJ6GEYF472	M 4.7KOHM,F,1/10W	1	
R488	ERJ6GEYG104	M 100KOHM,J,1/10W	1	
R490	ERJ6GEYG103	M 10KOHM,J,1/10W	1	
R491	ERJ6GEYG821	M 820 OHM,J,1/10W	1	
R493	ERG12SJ120	M 12 OHM, J,1/2W	1	
R498	ERG3SJ101	M 100 OHM, J, 3W	1	
R500	ERJ6GEYJ224	M 220KOHM,J,1/10W	1	
R501	ERJ6GEYG154	M 150KOHM,J,1/10W	1	
R502,03	ERJ6GEYJ224	M 220KOHM,J,1/10W	2	
R505	ERJ8GEYJ330	M 33 OHM, J,1/8W	1	
R507	ERJ6GEYG221	M 220 OHM,J,1/10W	1	
R508	ERJ6GEYG182	M 1.8KOHM,J,1/10W	1	
R510	ERJ8GEYOR00	M 0 OHM, 1/8W	1	
R512	ERJ6GEYG823	M 82KOHM,J,1/10W	1	
R513	ERJ6GEYG332	M 3.3KOHM,J,1/10W	1	
R514	ERJ6GEYG104	M 100KOHM,J,1/10W	1	
R518	ERJ6GEYG102	M 1KOHM,J,1/10W	1	
R519	ERJ6GEYG104	M 100KOHM,J,1/10W	1	
R520	ERJ6GEYJ101V	M 100 OHM,J,1/10W	1	
R523	ERJ6GEYF473	M 47KOHM,J,1/10W	1	
R524	ERJ6GEYG102	M 1KOHM,J,1/10W	1	
R526,27	ERJ6ENF1803	M 180KOHM, 1/10W	2	
R528	ERJ6GEYJ4R7	M 4.7 OHM,J,1/10W	1	
R529	ERJ6GEYJ101V	M 100 OHM,J,1/10W	1	
R530,31	ERJ6RBD333	M 33KOHM,J,1/10W	2	
R532	ERJ6GEYG102	M 1KOHM,J,1/10W	1	
R533	ERJ6ENF1803	M 180KOHM, 1/10W	1	

Ref. No.	Part No.	Part Name & Description	Pcs	Remarks
R534	ERJ6ENF8201	M 8.2KOHM, 1/10W	1	
R537	ERJ6ENF1003	M 100KOHM, 1/10W	1	
R538	ERJ6GEYG104	M 100KOHM,J,1/10W	1	
R539	ERJ6GEYG103	M 10KOHM,J,1/10W	1	
R540,41	ERJ6GEYG105	M 1MOHM,J,1/10W	2	
R542	ER0S2CKF2202	M 22KOHM, F,1/4W	1	
R543	ERJ6ENF3902	M 39KOHM, 1/10W	1	
R545	ERJ6GEYG102	M 1KOHM,J,1/10W	1	
R546	ERJ6GEYG104	M 100KOHM,J,1/10W	1	
R547	ERJ6GEYJ101V	M 100 OHM,J,1/10W	1	
R550	ERJ6GEYG102	M 1KOHM,J,1/10W	1	
R551	ERJ6GEYF151	M 150 OHM,F,1/10W	1	
R553	ERJ6GEYJ101V	M 100 OHM,J,1/10W	1	
R555	ERJ6GEYG102	M 1KOHM,J,1/10W	1	
R556	ERJ6GEYG105	M 1MOHM,J,1/10W	1	
R557,58	ERJ6GEYJ101V	M 100 OHM,J,1/10W	2	
R559	ERJ6ENF8201	M 8.2KOHM, 1/10W	1	
R560	ERJ6ENF9101	M 9.1KOHM, 1/10W	1	
R561	ERJ6ENF5101	M 5.1KOHM, 1/10W	1	
R562	ERJ6ENF4701	M 4.7KOHM, 1/10W	1	
R563	ERJ6GEYJ2R2	M 2.2 OHM,J,1/10W	1	
R564	ERJ6GEYG104	M 100KOHM,J,1/10W	1	
R565,66	ERJ6GEYG105	M 1MOHM,J,1/10W	2	
R567,68	ERJ8GEYJ105	M 1MOHM, J,1/8W	2	
R569	ERJ6ENF3302	M 33KOHM, 1/10W	1	
R570	ERJ6GEYG104	M 100KOHM,J,1/10W	1	
R571	ERJ6GEYG105	M 1MOHM,J,1/10W	1	
R572,73	ERJ6GEYG102	M 1KOHM,J,1/10W	2	
R574	ERJ6GEYG331	M 330 OHM,G,1/10W	1	
R576	ERJ6GEYF123	M 12KOHM, 1/10W	1	
R579	ERJ6GEYG103	M 10KOHM,J,1/10W	1	
R581	ERJ6GEYF473	M 47KOHM,J,1/10W	1	
R582	ERJ6ENF1002	M 10KOHM, 1/10W	1	
R584	ERJ6GEYG103	M 10KOHM,J,1/10W	1	
R585	ERJ6GEYF333	M 33KOHM,J,1/10W	1	
R586	ERJ6GEYJ223	M 22KOHM,J,1/10W	1	
R587	ERJ8RSJR16V	M 16 OHM, 1/8W	1	
R592	ERJ6GEYJ223	M 22KOHM,J,1/10W	1	
R593	ERJ6GEYG104	M 100KOHM,J,1/10W	1	
R594	ERJ6GEYF151	M 150 OHM,F,1/10W	1	
R595	ERJ6GEYG221	M 220 OHM,J,1/10W	1	
R596	ERJ6GEYJ101V	M 100 OHM,J,1/10W	1	
R597,98	ERJ6ENF3302	M 33KOHM, 1/10W	2	
R599,00	ERJ8ENF3900	M 390 OHM, 1/8W	2	
R601	ERJ6GEYJ471	M 470 OHM,J,1/10W	1	
R603	ERJ6GEYJ101V	M 100 OHM,J,1/10W	1	
R604	ERJ6RBD303	M 30KOHM,J,1/10W	1	
R605	ERJ6GEYG103	M 10KOHM,J,1/10W	1	
R606	ERJ6ENF1201	M 1.2KOHM, 1/10W	1	
R607	ERJ6ENF2202	M 2.2KOHM, 1/10W	1	
R608	ERJ8GEYJ332	M 3.3KOHM, J,1/8W	1	
R609	ERJ6GEYG102	M 1KOHM,J,1/10W	1	
R610	ERJ6GEYG222	M 2.2KOHM,J,1/10W	1	
R611	ERDS2FJ101	C 100 OHM, J,1/4W	1	
R612	ERJ6GEYG222	M 2.2KOHM,J,1/10W	1	
R613	ERJ6ENF2402	M 24KOHM, 1/10W	1	
R614	ERJ6ENF3301	M 3.3KOHM, 1/10W	1	

Ref. No.	Part No.	Part Name & Description	Pcs	Remarks
R616,17	ERJ6GEYJ223	M 22KOHM,J,1/10W	2	
R618	ERJ6GEYG104	M 100KOHM,J,1/10W	1	
R619	ERJ8RQFR39	M 0.39OHM, J,1/8W	1	
R620	ERJ6GEYG102	M 1KOHM,J,1/10W	1	
R622	ERJ6ENF1603	M 160KOHM, 1/10W	1	
R624	ERX2SJR22P	M0.22 OHM, J, 2W	1	
R625	ERJ6GEYF472	M 4.7KOHM,F,1/10W	1	
R626	ERJ6ENF1603	M 160KOHM, 1/10W	1	
R627	ERJ6GEYJ752	M 7.5KOHM,J,1/10W	1	
R628	EVMAASA00B33	CONTROL 3KOHMB	1	
R629	ERJ6GEYG105	M 1MOHM,J,1/10W	1	
R630	ERJ6GEYF472	M 4.7KOHM,F,1/10W	1	
R631	ERJ8GEYJ333	M 33KOHM, J,1/8W	1	
R632	ERJ6GEYG221	M 220 OHM,J,1/10W	1	
R633	ERJ6GEYG105	M 1MOHM,J,1/10W	1	
R634	ERJ8RQFR39	M 0.39OHM, J,1/8W	1	
R635	ERJ6GEYG103	M 10KOHM,J,1/10W	1	
R636	ERJ6ENF1603	M 160KOHM, 1/10W	1	
R637	ERJ8RQFR39	M 0.39OHM, J,1/8W	1	
R639,40	ERJ8RQFR39	M 0.39OHM, J,1/8W	2	
R641	ERJ6GEYF473	M 47KOHM,J,1/10W	1	
R642-44	ERJ8RQFR39	M 0.39OHM, J,1/8W	3	
R645	ERJ6GEYJ101V	M 100 OHM,J,1/10W	1	
R646,47	ERJ14YJ330	M 33 OHM, J,1/4W	2	
R648	ERJ6ENF1603	M 160KOHM, 1/10W	1	
R649	ERJ6GEYJ223	M 22KOHM,J,1/10W	1	
R650	ERJ6GEYG103	M 10KOHM,J,1/10W	1	
R651	ERJ6ENF1002	M 10KOHM, 1/10W	1	
R652	ERJ6GEYF123	M 12KOHM,J,1/10W	1	
R653	ERJ6ENF3302	M 33KOHM, 1/10W	1	
R654	ERJ6GEYJ223	M 22KOHM,J,1/10W	1	
R655	ERJ8RSJR16V	M 16 OHM, 1/8W	1	
R656	ERJ6ENF1803	M 180KOHM, 1/10W	1	
R657	ERJ6GEYF561	M 560 OHM,F,1/10W	1	
R658	ERJ6GEYG105	M 1MOHM,J,1/10W	1	
R659	ERJ6RBD303	M 30KOHM,J,1/10W	1	
R660	ERJ6GEYF123	M 12KOHM, 1/10W	1	
R661	EVMAASA00B53	CONTROL 5KOHMB	1	
R662	ERJ6ENF1503	M 150KOHM, 1/10W	1	
R664	ERJ6ENF9101	M 9.1KOHM, 1/10W	1	
R665	EVMAASA00B23	CONTROL 2KOHMB	1	
R669	ERJ6ENF1503	M 150KOHM, 1/10W	1	
R670	ERJ6GEYG102	M 1KOHM,J,1/10W	1	
R671	ERJ6RBD751	M 750 OHM,J,1/10W	1	
R672,73	ERJ6GEYG102	M 1KOHM,J,1/10W	2	
R674	ERJ8GEYJ333	M 33KOHM, J,1/8W	1	
R675	ERJ6ENF2202	M 2.2KOHM, 1/10W	1	
R676	ERJ8GEYJ333	M 33KOHM, J,1/8W	1	
R677	ERJ6GEYJ474	M 470KOHM,J,1/10W	1	
R678-80	ERJ8RSJR16V	M 16 OHM, 1/8W	3	
R682	ERJ6ENF2002	M 20KOHM, 1/10W	1	
R683	ERJ14YJ330	M 33 OHM, J,1/4W	1	
R684,85	ERJ6GEYG102	M 1KOHM,J,1/10W	2	
R686	ERJ6GEYG103	M 10KOHM,J,1/10W	1	
R687	ERJ6GEYG104	M 100KOHM,J,1/10W	1	
R688	ERJ6GEYG102	M 1KOHM,J,1/10W	1	
R689	ERJ8GEYJ472	M 4.7KOHM, J,1/8W	1	
R690	ERJ6GEYJ4R7	M 4.7 OHM,J,1/10W	1	
R691	ERJ6GEYG105	M 1MOHM,J,1/10W	1	

Ref. No.	Part No.	Part Name & Description	Pcs	Remarks
R693	ERJ6GEYJ100V	M 10 OHM,J,1/10W	1	
R695	ERJ6GEYF123	M 12KOHM, 1/10W	1	
R696	ERJ6GEYJ100V	M 10 OHM,J,1/10W	1	
R697	ERJ6GEYJ4R7	M 4.7 OHM,J,1/10W	1	
R698	ERJ8RSJR16V	M 16 OHM, 1/8W	1	
R699	ERJ8GEYJ105	M 1MOHM, J,1/8W	1	
R700,01	ERJ6ENF1503	M 150KOHM, 1/10W	2	
R702	ERJ6ENF1102	M 11KOHM, 1/10W	1	
R707,08	ERJ6GEYG102	M 1KOHM,J,1/10W	2	
R709,10	ERJ6GEYJ101V	M 100 OHM,J,1/10W	2	
R711,12	ERJ6GEYG222	M 2.2KOHM,J,1/10W	2	
R713	ERJ6GEYG152	M 1.5KOHM,J,1/10W	1	
R714	ERJ6GEYG102	M 1KOHM,J,1/10W	1	
R715	ERJ6ENF3301	M 3.3KOHM, 1/10W	1	
R716	ERJ6GEY0R00V	M 0 OHM, 1/10W	1	
R717	ERJ6GEYG122	M 1.2KOHM,J,1/10W	1	
R718	ERJ6GEYG103	M 10KOHM,J,1/10W	1	
R719	ERJ6GEYG102	M 1KOHM,J,1/10W	1	
R720	ERJ6GEYG152	M 1.5KOHM,J,1/10W	1	
R721	ERJ6GEY0R00V	M 0 OHM, 1/10W	1	
R722-24	ERJ6GEYG102	M 1KOHM,J,1/10W	3	
R726,27	ERJ6GEYG222	M 2.2KOHM,J,1/10W	2	
R729	ERJ6GEY0R00V	M 0 OHM, 1/10W	1	
R730-38	ERJ8GEYJ105	M 1MOHM, J,1/8W	9	
R739	ERJ6ENF1003	M 100KOHM, 1/10W	1	
R740	ERJ6GEYJ243	M 24KOHM,J,1/10W	1	
R741	ERJ8GEYJ205	M 2MOHM, J,1/8W	1	
R742	ERJ6GEYG102	M 1KOHM,J,1/10W	1	
RL401-03	K6B1CGA00055	REALY	3	△
S401,02	J0LT00000009	SWITCH	2	△
T401	G4D4A0000123	SWITCHING TRANS	1	
T402	G4D1A0000128	SWITCHING TRANS	1	△
T404	ETS42LB11GAD	SWITCHING TRANS	1	△
T410	G4D2A0000283	SWITCHING TRANS	1	△
T601	G4D2A0000284	SWITCHING TRANS	1	
W13	ERJ6GEY0R00V	M 0 OHM, 1/10W	1	
W46	ERJ6GEY0R00V	M 0 OHM, 1/10W	1	
X501	H2B400400021	CRYSTAL	1	
Z1-Z3	K4ZZ01000206	TERMINAL	3	
ZN401,02	D4EAD6210001	VARISTOR	2	△
ZN403	ERZVGAD681T2	VARISTOR	1	△
ZN404,05	ERZVA7D511	VARISTOR	2	△